

 **BOEING**
COMPONENT
MAINTENANCE MANUAL

TO: ALL HOLDERS OF CENTER OVERHEAD STOWAGE BIN ASSEMBLY COMPONENT MAINTENANCE
MANUAL 25-28-42

REVISION NO. 7 DATED JUL 01/05

HIGHLIGHTS

Pages which have been added or revised are outlined below together with the highlights of the revision. Remove and insert the affected pages as listed and enter Revision No. and date to the Record of Revision Sheet.

CHAPTER/SECTION

AND PAGE NO.

1040,1088B-1088C

DESCRIPTION OF CHANGE

Changed IPL Fig. 5, item 330 to 413T1048-58; and item 335 to 413T1048-57. Reason: Opposite parts were reversed.

25-28-42

HIGHLIGHTS

01.1

Page 1

Jul 01/05

CENTER OVERHEAD STOWAGE BIN ASSEMBLY

PART NUMBERS 413T1047-23 THRU -35,-37 THRU -68,
-75 THRU -106,-110 THRU
-120,-122,-123,-127 THRU
-129,-133,-134,-136,
-140 THRU -147,-151 THRU
-153,-157 THRU -159,-161
-162,-164 THRU -170,
-172 THRU -177.

COMPONENT MAINTENANCE MANUAL
WITH
ILLUSTRATED PARTS LIST

25-28-42

TITLE PAGE

Page 1

Mar 01/98

01.1



REVISION RECORD

- Retain this record in front of manual. On receipt of revision, insert revised pages in the manual, and enter revision number, date inserted and initial.

REVISION NUMBER	REVISION DATE	DATE FILED	BY	REVISION NUMBER	REVISION DATE	DATE FILED	BY


BOEING
 COMPONENT
 MAINTENANCE MANUAL

TEMPORARY REVISION AND SERVICE BULLETIN RECORD

BOEING SERVICE BULLETIN	BOEING TEMPORARY REVISION	OTHER DIRECTIVE	DATE OF INCORPORATION INTO MANUAL
SB 25-102		MCB1233-019 MCB1242-042 PRR B11700-505 PRR B11750-77 PRR B11795 PRR C12041 PRR C12056-8 PRR C12057-1 PRR B12552	JAN 10/83 JAN 10/83 APR 01/91 APR 01/91 APR 01/91 APR 01/91 APR 01/91 APR 01/91 APR 01/91 JAN 01/94

25-28-42

TR & SB RECORD

01.1

Page 1

Jan 01/94


BOEING
 COMPONENT
 MAINTENANCE MANUAL

PAGE	DATE	CODE	PAGE	DATE	CODE
25-28-42			REPAIR-GENERAL		
			601	JUL 10/83	01.1
			602	BLANK	
TITLE PAGE			REPAIR 1-1		
1	MAR 01/98	01.1	601	MAR 01/98	01.1
2	BLANK		602	MAR 01/98	01.1
REVISION RECORD			REPAIR 2-1		
1	JUL 10/83	01	601	JUL 01/93	01.1
2	BLANK		602	BLANK	
TR & SB RECORD			REPAIR 3-1		
1	JAN 01/94	01.1	601	MAR 01/98	01.1
2	BLANK		602	BLANK	
LIST OF EFFECTIVE PAGES			REPAIR 4-1		
*1	JUL 01/05	01	601	MAR 01/98	01.1
THRU LAST PAGE			602	MAR 01/98	01.1
CONTENTS			603	MAR 01/98	01.1
1	JUL 10/83	01	604	MAR 01/98	01.1
2	BLANK		ASSEMBLY		
INTRODUCTION			701	JUL 10/83	01
1	JUL 10/83	01.1	702	JUL 10/83	01
2	BLANK		ILLUSTRATED PARTS LIST		
DESCRIPTION & OPERATION			1001	JUL 10/83	01
1	JUL 01/93	01.1	1002	MAR 01/97	01.1
2	BLANK		1003	MAR 01/98	01.1
DISASSEMBLY			1004	MAR 01/98	01.1
301	MAR 01/98	01.1	1005	MAR 01/98	01.1
302	BLANK		1006	MAR 01/98	01.1
CLEANING			1007	MAR 01/98	01.1
401	JUL 10/83	01	1008	MAR 01/98	01.1
402	BLANK		1009	MAR 01/98	01.1
CHECK			1010	MAR 01/98	01.1
501	JUL 10/83	01	1011	MAR 01/98	01.1
502	BLANK		1012	MAR 01/98	01.1
			1013	MAR 01/98	01.1
			1014	MAR 01/98	01.1
			1015	MAR 01/98	01.1
			1016	MAR 01/98	01.1

* = REVISED, ADDED OR DELETED

25-28-42

EFFECTIVE PAGES

CONTINUED Page 1

01 Jul 01/05

PAGE	DATE	CODE	PAGE	DATE	CODE
ILLUSTRATED PARTS LIST		CONT.	ILLUSTRATED PARTS LIST		CONT.
1017	MAR 01/98	01.1	1059	MAR 01/98	01.1
1018	MAR 01/98	01.1	1060	MAR 01/98	01.1
1019	MAR 01/98	01.1	1061	MAR 01/98	01.1
1020	MAR 01/98	01.1	1062	MAR 01/98	01.1
1021	MAR 01/98	01.1	1063	MAR 01/98	01.1
1022	MAR 01/98	01.1	1064	MAR 01/98	01.1
1023	MAR 01/98	01.1	1065	MAR 01/98	01.1
1024	MAR 01/98	01.1	1066	MAR 01/98	01.1
1025	MAR 01/98	01.1	1067	MAR 01/98	01.1
1026	MAR 01/98	01.1	1068	MAR 01/98	01.1
1027	MAR 01/98	01.1	1069	MAR 01/98	01.1
1028	MAR 01/98	01.1	1070	MAR 01/98	01.1
1029	MAR 01/98	01.1	1071	MAR 01/98	01.1
1030	MAR 01/98	01.1	1072	MAR 01/98	01.1
1031	MAR 01/98	01.1	1073	MAR 01/98	01.1
1032	MAR 01/98	01.1	1074	MAR 01/98	01.1
1033	MAR 01/98	01.1	1075	MAR 01/98	01.1
1034	MAR 01/98	01.1	1076	MAR 01/98	01.1
1035	MAR 01/98	01.1	1077	MAR 01/98	01.1
1036	MAR 01/98	01.1	1078	MAR 01/98	01.1
1037	MAR 01/98	01.1	1079	MAR 01/98	01.1
1038	MAR 01/98	01.1	1080	MAR 01/98	01.1
1039	MAR 01/98	01.1	1080A	MAR 01/98	01.1
*1040	JUL 01/05	01.1	1080B	MAR 01/98	01.1
1041	MAR 01/98	01.1	1080C	MAR 01/98	01.1
1042	MAR 01/98	01.1	1080D	MAR 01/98	01.1
1043	MAR 01/98	01.1	1080E	MAR 01/98	01.1
1044	MAR 01/98	01.1	1080F	MAR 01/98	01.1
1045	MAR 01/98	01.1	1080G	MAR 01/98	01.1
1046	MAR 01/98	01.1	1080H	MAR 01/98	01.1
1047	MAR 01/98	01.1	1080I	MAR 01/98	01.1
1048	MAR 01/98	01.1	1080J	MAR 01/98	01.1
1049	MAR 01/98	01.1	1080K	MAR 01/98	01.1
1050	MAR 01/98	01.1	1080L	MAR 01/98	01.1
1051	MAR 01/98	01.1	1080M	MAR 01/98	01.1
1052	MAR 01/98	01.1	1080N	MAR 01/98	01.1
1053	MAR 01/98	01.1	1080O	MAR 01/98	01.1
1054	MAR 01/98	01.1	1080P	MAR 01/98	01.1
1055	MAR 01/98	01.1	1080Q	MAR 01/98	01.1
1056	MAR 01/98	01.1	1080R	MAR 01/98	01.1
1057	MAR 01/98	01.1	1080S	MAR 01/98	01.1
1058	MAR 01/98	01.1	1080T	MAR 01/98	01.1

* = REVISED, ADDED OR DELETED

25-28-42EFFECTIVE PAGES
CONTINUED Page 2
01 Jul 01/05


BOEING
 COMPONENT
 MAINTENANCE MANUAL

PAGE	DATE	CODE	PAGE	DATE	CODE
ILLUSTRATED PARTS LIST		CONT.	ILLUSTRATED PARTS LIST		CONT.
1080U	MAR 01/98	01.1	1084G	MAR 01/98	01.1
1080V	MAR 01/98	01.1	1084H	MAR 01/98	01.1
1080W	MAR 01/98	01.1	1084I	MAR 01/98	01.1
1080X	MAR 01/98	01.1	1084J	MAR 01/98	01.1
1080Y	MAR 01/98	01.1	1084K	MAR 01/98	01.1
1080Z	MAR 01/98	01.1	1084L	MAR 01/98	01.1
1081	MAR 01/98	01.1	1084M	MAR 01/98	01.1
1082	MAR 01/98	01.1	1084N	MAR 01/98	01.1
1082A	BLANK		1084O	MAR 01/98	01.1
1082B	MAR 01/98	01.1	1084P	MAR 01/98	01.1
1082C	MAR 01/98	01.1	1084Q	MAR 01/98	01.1
1082D	MAR 01/98	01.1	1084R	MAR 01/98	01.1
1082E	MAR 01/98	01.1	1084S	MAR 01/98	01.1
1082F	MAR 01/98	01.1	1084T	MAR 01/98	01.1
1082G	MAR 01/98	01.1	1084U	MAR 01/98	01.1
1082H	MAR 01/98	01.1	1084V	MAR 01/98	01.1
1082I	MAR 01/98	01.1	1084W	MAR 01/98	01.1
1082J	MAR 01/98	01.1	1084X	MAR 01/98	01.1
1082K	MAR 01/98	01.1	1084Y	MAR 01/98	01.1
1082L	MAR 01/98	01.1	1084Z	MAR 01/98	01.1
1082M	MAR 01/98	01.1	1085	MAR 01/98	01.1
1082N	MAR 01/98	01.1	1086	MAR 01/98	01.1
1082O	MAR 01/98	01.1	1086A	MAR 01/98	01.1
1082P	MAR 01/98	01.1	1086B	MAR 01/98	01.1
1082Q	MAR 01/98	01.1	1086C	MAR 01/98	01.1
1082R	MAR 01/98	01.1	1086D	MAR 01/98	01.1
1082S	MAR 01/98	01.1	1086E	MAR 01/98	01.1
1082T	MAR 01/98	01.1	1086F	MAR 01/98	01.1
1082U	MAR 01/98	01.1	1086G	MAR 01/98	01.1
1082V	MAR 01/98	01.1	1086H	MAR 01/98	01.1
1082W	BLANK		1086I	MAR 01/98	01.1
1082X	MAR 01/98	01.1	1086J	MAR 01/98	01.1
1082Y	MAR 01/98	01.1	1086K	MAR 01/98	01.1
1082Z	MAR 01/98	01.1	1086L	MAR 01/98	01.1
1083	MAR 01/98	01.1	1086M	MAR 01/98	01.1
1084	MAR 01/98	01.1	1086N	MAR 01/98	01.1
1084A	MAR 01/98	01.1	1086O	MAR 01/98	01.1
1084B	MAR 01/98	01.1	1086P	MAR 01/98	01.1
1084C	MAR 01/98	01.1	1086Q	MAR 01/98	01.1
1084D	MAR 01/98	01.1	1086R	MAR 01/98	01.1
1084E	MAR 01/98	01.1	1086S	MAR 01/98	01.1
1084F	MAR 01/98	01.1	1086T	MAR 01/98	01.1

* = REVISED, ADDED OR DELETED

25-28-42

EFFECTIVE PAGES

CONTINUED Page 3

01 Jul 01/05

PAGE	DATE	CODE	PAGE	DATE	CODE
ILLUSTRATED	PARTS LIST	CONT.	ILLUSTRATED	PARTS LIST	CONT.
1086U	MAR 01/98	01.1	1090G	MAR 01/98	01.1
1086V	MAR 01/98	01.1	1090H	MAR 01/98	01.1
1086W	MAR 01/98	01.1	1090I	MAR 01/98	01.1
1086X	MAR 01/98	01.1	1090J	MAR 01/98	01.1
1086Y	MAR 01/98	01.1	1090K	MAR 01/98	01.1
1086Z	MAR 01/98	01.1	1090L	MAR 01/98	01.1
1087	MAR 01/98	01.1	1090M	MAR 01/98	01.1
1088	MAR 01/98	01.1	1090N	MAR 01/98	01.1
1088A	MAR 01/98	01.1	1090O	MAR 01/98	01.1
*1088B	JUL 01/05	01.1	1090P	MAR 01/98	01.1
*1088C	JUL 01/05	01.1	1090Q	MAR 01/98	01.1
1088D	MAR 01/98	01.1	1090R	MAR 01/98	01.1
1088E	MAR 01/98	01.1	1090S	MAR 01/98	01.1
1088F	MAR 01/98	01.1	1090T	MAR 01/98	01.1
1088G	MAR 01/98	01.1	1090U	MAR 01/98	01.1
1088H	MAR 01/98	01.1	1090V	BLANK	
1088I	MAR 01/98	01.1	1090W	MAR 01/98	01.1
1088J	BLANK		1090X	MAR 01/98	01.1
1088K	MAR 01/98	01.1	1090Y	MAR 01/98	01.1
1088L	MAR 01/98	01.1	1090Z	MAR 01/98	01.1
1088M	MAR 01/98	01.1	1091	MAR 01/98	01.1
1088N	MAR 01/98	01.1	1092	MAR 01/98	01.1
1088O	MAR 01/98	01.1	1092A	MAR 01/98	01.1
1088P	MAR 01/98	01.1	1092B	MAR 01/98	01.1
1088Q	MAR 01/98	01.1	1092C	MAR 01/98	01.1
1088R	MAR 01/98	01.1	1092D	MAR 01/98	01.1
1088S	MAR 01/98	01.1	1092E	MAR 01/98	01.1
1088T	MAR 01/98	01.1	1092F	MAR 01/98	01.1
1088U	MAR 01/98	01.1	1092G	MAR 01/98	01.1
1088V	MAR 01/98	01.1	1092H	MAR 01/98	01.1
1088W	MAR 01/98	01.1	1092I	MAR 01/98	01.1
1088X	MAR 01/98	01.1	1092J	MAR 01/98	01.1
1088Y	MAR 01/98	01.1	1092K	MAR 01/98	01.1
1088Z	MAR 01/98	01.1	1092L	MAR 01/98	01.1
1089	MAR 01/98	01.1	1092M	MAR 01/98	01.1
1090	MAR 01/98	01.1	1092N	MAR 01/98	01.1
1090A	MAR 01/98	01.1	1092O	MAR 01/98	01.1
1090B	MAR 01/98	01.1	1092P	MAR 01/98	01.1
1090C	MAR 01/98	01.1	1092Q	MAR 01/98	01.1
1090D	MAR 01/98	01.1	1092R	MAR 01/98	01.1
1090E	MAR 01/98	01.1	1092S	MAR 01/98	01.1
1090F	MAR 01/98	01.1	1092T	MAR 01/98	01.1

* = REVISED, ADDED OR DELETED

25-28-42

EFFECTIVE PAGES
CONTINUED Page 4
01 Jul 01/05


BOEING
 COMPONENT
 MAINTENANCE MANUAL

PAGE	DATE	CODE	PAGE	DATE	CODE
ILLUSTRATED	PARTS LIST	CONT.	ILLUSTRATED	PARTS LIST	CONT.
1092U	MAR 01/98	01.1	1096G	MAR 01/98	01.1
1092V	MAR 01/98	01.1	1096H	MAR 01/98	01.1
1092W	MAR 01/98	01.1	1096I	MAR 01/98	01.1
1092X	MAR 01/98	01.1	1096J	MAR 01/98	01.1
1092Y	MAR 01/98	01.1			
1092Z	MAR 01/98	01.1			
1093	MAR 01/98	01.1			
1094	MAR 01/98	01.1			
1094A	MAR 01/98	01.1			
1094B	MAR 01/98	01.1			
1094C	MAR 01/98	01.1			
1094D	MAR 01/98	01.1			
1094E	MAR 01/98	01.1			
1094F	MAR 01/98	01.1			
1094G	MAR 01/98	01.1			
1094H	MAR 01/98	01.1			
1094I	MAR 01/98	01.1			
1094J	MAR 01/98	01.1			
1094K	MAR 01/98	01.1			
1094L	MAR 01/98	01.1			
1094M	MAR 01/98	01.1			
1094N	MAR 01/98	01.1			
1094O	MAR 01/98	01.1			
1094P	MAR 01/98	01.1			
1094Q	MAR 01/98	01.1			
1094R	MAR 01/98	01.1			
1094S	MAR 01/98	01.1			
1094T	MAR 01/98	01.1			
1094U	MAR 01/98	01.1			
1094V	MAR 01/98	01.1			
1094W	BLANK				
1094X	MAR 01/98	01.1			
1094Y	MAR 01/98	01.1			
1094Z	MAR 01/98	01.1			
1095	MAR 01/98	01.1			
1096	MAR 01/98	01.1			
1096A	MAR 01/98	01.1			
1096B	MAR 01/98	01.1			
1096C	MAR 01/98	01.1			
1096D	MAR 01/98	01.1			
1096E	MAR 01/98	01.1			
1096F	MAR 01/98	01.1			

* = REVISED, ADDED OR DELETED

25-28-42

EFFECTIVE PAGES
 LAST PAGE Page 5
 01 Jul 01/05



TABLE OF CONTENTS

<u>Paragraph Title</u>	<u>Page</u>
Description and Operation	1
Testing/Trouble Shooting (not applicable)	
Disassembly	301
Cleaning.	401
Check	501
Repair.	601
Assembly.	701
Fits and Clearances (not applicable)	
Special Tools (not applicable)	
Illustrated Parts List.	1001

25-28-42

CONTENTS

01

Page 1

Jul 10/83



INTRODUCTION

The instructions in this manual provide the information necessary to perform maintenance functions ranging from simple check and replacement to complete shop type repair.

The manual is divided into separate sections:

- | | |
|--|------------------------------|
| 1. Title page | 4. List of Effective Pages |
| 2. Record of Revision | 5. Table of Contents |
| 3. Temporary Revision and Service
Bulletin Record | 6. Introduction |
| | 7. Procedures & IPL Sections |

Refer to the Table of Contents for the page location of applicable sections. An asterisked flagnote *[] in place of the page number indicates that no special instructions are provided since the function can be performed using standard industry practices.

The beginning of the REPAIR section includes a list of the separate repairs and a list of applicable standard Boeing practices.

An explanation of the use of the Illustrated Parts List is provided in the Introduction of that section.

All weights and measurements in the manual are in English units, unless otherwise stated. When metric equivalents are given they will be in parentheses following the English units.

Design changes, optional parts, configuration differences and Service Bulletin modifications create alternate part numbers. These are identified in the Illustrated Parts List (IPL) by adding an alphabetical character to the basic item number. The resulting item number is called an alpha-variant. Throughout the manual, IPL basic item number references also apply to alpha-variants unless otherwise indicated.

Verification:

| Assembly MAR 16/83

25-28-42

INTRODUCTION

01.1

Page 1

Jul 10/83



CENTER OVERHEAD STOWAGE BIN ASSEMBLY

DESCRIPTION AND OPERATION

1. Description

The center overhead stowage bin assembly consists of two laminated panels, designated as the upper and lower assys, which are joined together by angles. The lower assembly contains the latch mechanism and appears as part of the passenger compartment ceiling while the bin is closed.

2. Operation

Supports attached to pivots on the bin assembly lower the bin down and out when the latch is released, allowing access to the stowage area. Gas springs in the overhead bin support structure aid in closing the bin while snubbers prevent uncontrolled movement.

3. Leading Particulars (approximate)

Width -- 22 inches
Length -- 44 inches
Height -- 18 inches
| Weight -- 10 pounds

25-28-42

DESCRIPTION & OPERATION

01.1

Page 1

Jul 01/93



DISASSEMBLY

CAUTION: PARTS OF STOWAGE BIN ASSEMBLY ARE VISIBLE FROM CABIN INTERIOR. SPECIAL CARE MUST BE TAKEN TO PREVENT MARRING VISIBLE SURFACES.

CAUTION: DO NOT SEPARATE UPPER AND LOWER ASSEMBLIES OR REMOVE BOSS ASSEMBLIES OR PIVOT BOSSES. THESE ARE BONDED PARTS AND CANNOT BE REMOVED WITHOUT DAMAGE.

NOTE: Disassemble this component only as necessary to complete fault isolation, determine part serviceability, perform required repairs, and restore unit to serviceable condition.

|1. Disassembly (IPL Fig. 1 thru 10)

A. Disassemble component using standard industry practices.

25-28-42

DISASSEMBLY

01.1

Page 301

Mar 01/98



CLEANING

1. Clean all plastic parts per Cleaning of Interior Painted or Plastic Surfaces in General Cleaning Procedures (20-30-03).
2. Use standard industry practices for cleaning aluminum parts of the center overhead stowage bin assembly.

25-28-42

01

CLEANING
Page 401
Jul 10/83



CHECK

1. Check all parts for obvious defects in accordance with standard industry practices.

25-28-42

01
CHECK
Page 501
Jul 10/83

REPAIR – GENERAL1. Content

- A. Repair, refinish, and replacement procedures are included in separate repair sections as follows:

<u>P/N</u>	<u>NAME</u>	<u>REPAIR</u>
413T1036	BOSS ASSEMBLY	1-1
413T1039	ANGLE ASSEMBLY	2-1
413T1042	RESTRAINT ASSEMBLY	3-1
- - -	MISC PARTS REFINISH	4-1

2. Standard Practices

- A. Refer to the following standard practices, as applicable, for details in individual repairs.

20-30-02	Stripping of Protective Finishes
20-41-01	Decoding Table for Boeing Finish Codes
20-41-02	Application of Chemical and Solvent Resistant Finishes
20-41-04	Application and Repair of Interior Decorative Finishes
20-42-05	Bright Cadmium Plating
20-43-01	Chromic Acid Anodizing
20-43-03	Alodizing
20-50-03	Bearing Installation and Retention

3. Materials

NOTE: Equivalent substitutes may be used.

- A. Adhesive -- Types 44, 70, 82 (20-50-12)
- B. Coating -- Alodine 1000 (Ref 20-43-03)
- C. Grease -- MIL-G-23827 (Ref 20-60-03)
- D. Primer -- BMS 10-11, Type 1 (Ref 20-60-02)
- E. Sealant -- BMS 5-95 (Ref 20-60-04)
- F. Enamel -- BMS 10-83, Type 2 (Ref 20-60-02)

25-28-42

REPAIR-GENERAL

01.1

Page 601

Jul 10/83

BOSS ASSEMBLY – REPAIR 1-1

413T1036-41, -42, -45, -46

NOTE: Refer to REPAIR-GEN for list of applicable standard practices.

1. Bearing Replacement, Boss Assembly 413T1036-41 (IPL Fig. 1 thru 10)

- A. Remove retaining washer (80, Fig. 1; 45, Fig. 2, 3 and 4; 35, Fig. 5, 7, 8 and 10; 40, Fig. 6 and 9), pin (75, Fig. 1; 40, Fig. 2, 3 and 4; 30, Fig. 5, 7 and 8; 35, Fig. 6 and 9), and washers (85, 95, Fig. 1; 50 and 60, Fig. 2, 3 and 4; 40 and 50, Fig. 5, 7 and 8; 45 and 55, Fig. 6 and 9).
- B. Remove bearings (100, Fig. 1; 65, Fig. 2, 3 and 4; 55, Fig. 5, 7, 8 and 10; 60, Fig. 6 and 9) and washer (90, Fig. 1; 55, Fig. 2, 3 and 4; 45, Fig. 5, 7 and 8; 50, Fig. 6 and 9).
- C. Install washer (90, Fig. 1; 55, Fig. 2, 3 and 4; 45, Fig. 5, 7, 8 and 10; 50, Fig. 6 and 9) and bearings in boss (105, Fig. 1; 70, Fig. 2, 3 and 4; 60, Fig. 5, 7 and 8; 65, Fig. 6 and 9) with grease maintaining separation as indicated in Fig. 601.
- D. Bond washer (95, Fig. 1; 60, Fig. 2, 3 and 4; 50, Fig. 5, 7, 8 and 10; 55, Fig. 6 and 9) to boss with adhesive, type 82, per 20-50-12.
- E. Install washer (85 Fig. 1; 50, Fig. 2, 3 and 4; 40, Fig. 5, 7, 8 and 10; 45, Fig. 6 and 9), pin, and retaining washer.

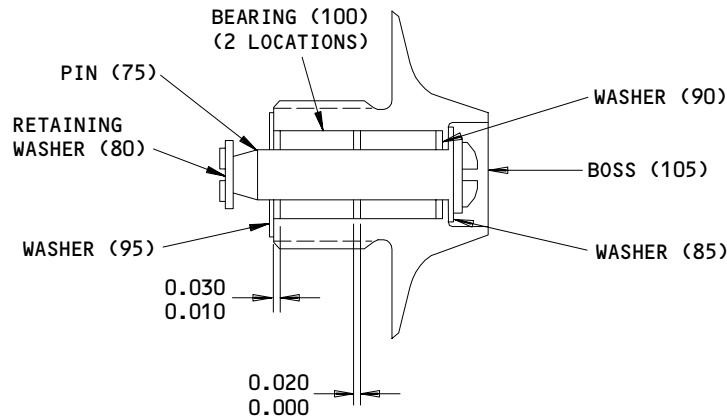
25-28-42

REPAIR 1-1

01.1

Page 601

Mar 01/98



REPAIR

125/ ALL MACHINED SURFACES

BREAK ALL SHARP EDGES 0.008

MATERIAL: AL ALLOY 7075-T7351

ITEM NUMBERS REFER TO IPL FIG. 1

ALL DIMENSIONS ARE IN INCHES

413T1036-41

Boss Assembly Repair
 Figure 601

70703

2. Bushing Replacement, Boss Assembly 413T1036-42 (IPL Fig. 1, 4, 5, 7, 8, 9 and 10)
 - A. Remove bushings (115, Fig. 1; 80, Fig. 4; 70, Fig. 5, 7, 8 and 10; 75, Fig. 9).
 - B. Install bushings per 20-50-03 using wet BMS 5-95 sealant. Ensure that no sealant remains on teflon lining.
3. Bushing Replacement, Boss Assembly 413T1036-45, -46 (IPL Fig. 2, 3 and 6)
 - A. Remove bushings (80, 100, Fig. 2 and 3; 85, Fig. 6).
 - B. Install bushings (80, 85, 100) per 20-50-03 using wet BMS 5-95 sealant. Ensure that no sealant remains on teflon lining.
 - C. Replace pin (85, 105, Fig. 2 and 3; 80, Fig. 6).
 - (1) Remove pin (85, 105, 80).
 - (2) Install pin with adhesive, type 70, per 20-50-12 with end of pin flush with outer edge of boss (90, 110, Fig. 2 and 3; 90, 95, Fig. 6).

25-28-42

REPAIR 1-1

01.1

Page 602

Mar 01/98

ANGLE ASSEMBLY – REPAIR 2-1

413T1039-12

NOTE: Refer to REPAIR-GEN for list of applicable standard practices.

1. Washer Replacement (IPL Fig. 3, 6 and 7).

A. Remove washers (315, 317, Fig. 3; 160, 165, Fig. 6; and 290, 295, Fig. 7; 140, 145, Fig. 9).

B. Bond washer to angle using adhesive, type 44, per 20-50-12.

2. Refinish (IPL Fig. 3, 6, 7 and 9)

A. Angle (320, Fig. 3; 170, Fig. 6; 300, Fig. 7; 150, Fig. 9) -- Chemically treat or chromic acid anodize and apply one coat BMS 10-11, type 1, primer (F-18.05).

25-28-42

REPAIR 2-1

01.1

Page 601

Jul 01/93



RESTRAINT ASSEMBLY - REPAIR 3-1

413T1042-24

NOTE: Refer to REPAIR-GEN for list of applicable standard practices.

1. Component Replacement

- A. Remove rubber from tee.
- B. Bond new rubber to tee using adhesive, type 44, per 20-50-12.

2. Refinish

- A. Tee (65, Fig. 1; 30, Fig. 2, 3 and 4; 20, Fig. 5; 25, Fig. 6 and 9; 20, Fig. 7, 8 and 10) -- Anodize to meet the requirements of MIL-A-8625, type 1 (chromic acid) or type 2 (sulfuric acid) (F-17.05). Apply one coat of BMS 10-11, type 1, yellow primer (20.09). Apply BMS 10-83 type 2 enamel (F-22.06).

25-28-42

REPAIR 3-1

01.1

Page 601

Mar 01/98

MISCELLANEOUS PARTS REFINISH – REPAIR 4-1

1. Repair of parts listed in Fig. 601 consists of restoration of the original finish.

NOTE: Refer to REPAIR-GEN for list of applicable standard practices.

IPL FIG. & ITEM	MATERIAL	FINISH
Pin (85,105,80, Fig. 2, 3 and 6)	4340 steel, 125-145 ksi	Cadmium plate per QQ-P-416, type 2, class 2 and apply one coat BMS 10-11, type 1 primer (F-16.01).
Support (205A,210A, 270A,275A, Fig. 1; 175A,176,215A,216, Fig. 2; 200A,201, 235A,236, Fig. 3; 140A,180A, Fig. 4; 170,175,177,235, 240,242, Fig. 5; 275,315,355,380, Fig. 6; 150,155, 200,205, Fig. 7; 195,200,260,265, Fig. 8; 270,290, 330,370, Fig./9)	Al alloy	Anodize per MIL-A-8625, type 1 (chromic acid) or type 2 (sulfuric acid) (F-17.05) then apply one coat BMS 10-11, type 1 primer (F-20.02).
Angle (285,290, Fig. 1; 225,230,IPL Fig. 2; 245,250,IPL Fig. 3; 190,195,IPL Fig. 4; 250,255,IPL Fig. 5; 390,395,IPL Fig. 6; 215,220,IPL Fig. 7; 275,280,IPL Fig. 8; 310,350,IPL Fig. 9)	Al alloy	Chromic acid anodize per MIL-A-8625, type 1 and apply one coat BMS 10-11, type 1 primer (F-18.13).

Refinish Details
Figure 601 (Sheet 1)

25-28-42

REPAIR 4-1

01.1

Page 601

Mar 01/98

IPL FIG. & ITEM	MATERIAL	FINISH
Angle (385,390,IPL Fig. 1; 265,270,IPL Fig. 2; 285,290,IPL Fig. 3; 240,245,IPL Fig. 4; 295,300,IPL Fig. 5; 435,440,IPL Fig. 6; 260,265,IPL Fig. 7; 315,320,IPL Fig. 8; 405,410,IPL Fig. 9; 260,265,IPL Fig. 10)	Al alloy	Chemical treat per MIL-C-5541 (colored film) (F-17.07). Apply one coat of BMS 10-11, type 1 yellow primer (F-20.09). Apply BMS 10-83 type 2 enamel (F-22.06-7362).
Threshold (145,IPL Fig. 1; 135,IPL Fig. 2; 135,IPL Fig. 3; 100,IPL Fig. 4; 115,IPL Fig. 5; 250,IPL Fig. 6; 105,IPL Fig. 7; 135,IPL Fig. 8; 250,IPL Fig. 9)	Al alloy	For Al alloy 7075 anodize per F-14.29. Optional: For Al alloy 6061 anodize per F-14.25. See Fig. 602.
Tee (65,IPL Fig. 1; 30,IPL Fig. 2,3,4; 20,IPL Fig. 5; 25,IPL Fig. 6; 20,IPL Fig. 7,8; 25,IPL Fig. 9; 145,IPL Fig. 10)	Al alloy	Anodize to meet the requirements of MIL-A-8625, type 1 (chromic acid) or type 2 (sulfuric acid) (F-17.05). Apply one coat of BMS 10-11, type 1, yellow primer (20.09). Apply BMS 10-83 type 2 enamel (F-22.06).
Angle (320 Fig. 3; 170,IPL Fig. 6; 300,IPL Fig. 7;150,IPL Fig. 9)	Al alloy	Treat surface per MIL-C-5541 (colored film) or per MIL-A-8625, type 1 (chromic acid anodize). Apply one coat BMS 10-11, type 1 primer (F-18.05).

Refinish Details
 Figure 601 (Sheet 2)

25-28-42

REPAIR 4-1

01.1

Page 602

Mar 01/98


BOEING
 COMPONENT
 MAINTENANCE MANUAL

IPL FIG. & ITEM	MATERIAL	FINISH
Angle (350,355,360, 365 Fig. 3; 205, 210,215,220,IPL Fig. 6; 320,325, IPL Fig. 7), clip (375 Fig. 3; 230, IPL Fig. 6; 335, IPL Fig. 7; 125, IPL Fig. 8;180, IPL Fig. 9; 90,95, IPL Fig. 10)	Al alloy	Chemical treat per MIL-C-5541 (colored film). Apply one coat BMS 10-11, type 1 primer (F-18.06). Apply BMS 10-83, type 2 enamel (F-22.06-7362).
Clip (242, IPL Fig. 6)	Al alloy	Apply BMS 10-83 type 2 enamel (F-22.06-7362).

Refinish Details
 Figure 601 (Sheet 3)

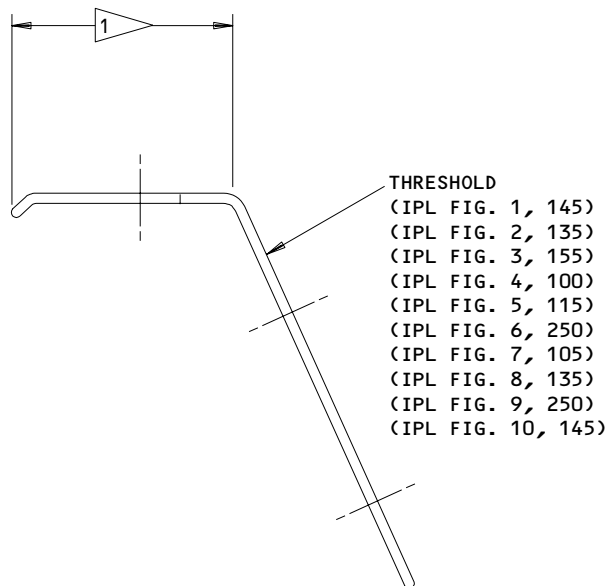
25-28-42

REPAIR 4-1

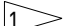
01.1

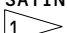
Page 603

Mar 01/98



REFINISH

ANODIZE AS SHOWN IN (F-14.29) SATIN FINISH TO AL ALLOY 7075 AS INDICATED BY  .

ANODIZE AS SHOWN IN (F-14.25) SATIN FINISH TO AL ALLOY 6061 AS INDICATED BY  .

 FINISH THIS AREA ONLY
 OVERSPRAY ALLOWED.

REPAIR

MATERIAL: AL ALLOY 7075

OPTIONAL: AL ALLOY 6061

413T1042
 Threshold Refinish
 Figure 602

25-28-42

REPAIR 4-1

Page 604

Mar 01/98

01.1

ASSEMBLY1. Equipment

A. Rigging Pin -- 0.076-0.078 in. dia

2. Material

NOTE: Equivalent substitutes may be used.

A. Enamel -- BMS 10-83, Type 2, White (7362) (Ref 20-60-02)

B. Primer -- BMS 10-11, Type 1 (Ref 20-60-02)

3. Assembly

A. General

(1) Touch-up with primer and white enamel any exposed fastener parts installed against white-colored components.

B. Assemble component using standard industry practices and the following steps.

NOTE: Rig latch per step 3.C. after attaching latch and before attaching support assembly, shroud assembly, and threshold.

C. Latch rigging procedure

(1) Rotate latch handle to closed position until flush with latch bezel.

(2) Rotate latch striker arms at both ends of bin to closed position.

(3) Install a rig pin into latch at both ends of bin, through the latch frame, and into the latch overcentering linkage.

(4) Rotate both torque tubes in a counterclockwise direction as viewed from ends of bin. Rotate torque tubes until end socket pawl contacts the stop.

(5) Using an allen-head wrench, tighten the upper set screws until they just contact the flags on each torque tube.

25-28-42

- (6) Secure both latch torque tubes by tightening the lower set screws firmly against the flags on the torque tubes.
- (7) Remove both rigging pins and rotate both striker arms to the open position.

25-28-42ASSEMBLY
Page 702
Jul 10/83

01

ILLUSTRATED PARTS LIST

1. This section lists and illustrates replaceable or repairable component parts. The Illustrated Parts Catalog contains a complete explanation of the Boeing part numbering system.
2. Indentures show parts relationships as follows:

Assembly

Detail Parts for Assembly

Subassembly

Attaching Parts for Subassembly

Detail Parts for Subassembly

Detail Installation Parts (Included only if installation parts may be returned to shop as part of assembly)

3. One use code letter (A, B, C, etc.) is assigned in the EFF CODE column for each variation of top assembly. All listed parts are used on all top assemblies except when limitations are shown by use code letter opposite individual part entries.
4. Letter suffixes (alpha-variants) are added to item numbers for optional parts, Service Bulletin modification parts, configuration differences (except left- and right-hand parts), product improvement parts, and parts added between two sequential item numbers. The alpha-variant is not shown on illustrations when appearance and location of all variants of the part are the same.
5. Service Bulletin modifications are shown by the notations PRE SB XXXX and POST SB XXXX.
 - A. When a new top assembly part number is assigned by Service Bulletin, the notations appear at the top assembly level only. The configuration differences at detail part level are then shown by use code letter.
 - B. When the top assembly part number is not changed by the Service Bulletin, the notations appear at the detail part level.

6. Parts Interchangeability

Optional
(OPT)

The parts are optional to and interchangeable with other parts having the same item number.

Supersedes, Superseded By
(SUPSDS, SUPSD BY)

The part supersedes and is not interchangeable with the original part.

Replaces, Replaced By
(REPLS, REPLD BY)

The part replaces and is interchangeable with, or is an alternate to, the original part.

25-28-42

ILLUSTRATED PARTS LIST

01

Page 1001

Jul 10/83

7. Boeing Proprietary Color Coded Parts

- A. Color coded parts are identified with an alpha "SP" suffix. This entry represents consolidation of all color codes applicable for a given usage. Orders for color coded parts should include the registry number of the airplane for which the parts are ordered.

25-28-42

ILLUSTRATED PARTS LIST
01.1 Page 1002
Mar 01/97


BOEING
 COMPONENT
 MAINTENANCE MANUAL
VENDORS

15653 KAYNAR TECHNOLOGY KAYNAR DIV
 800 SOUTH STATE COLLEGE BLVD PO BOX 3001
 FULLERTON, CALIFORNIA 92634-3001
 FORMERLY KAYNAR MICRODOT AEROSPACE FASTENING SYSTEM
 FORMERLY MICRODOT INC AEROSP FASTENING SYS KAYNAR MFG DIV

26390 TRIDAIR IND SEE FAIRCHILD IND V29372

27045 SEE V80477 ADAMS RITE SABRE INTL

52828 REPUBLIC FASTENER MFG CORP
 1300 RANCHO CONEJO BLVD
 NEWBURY PARK, CALIFORNIA 91320-1405
 FORMERLY IN SYLMAR, CALIFORNIA

60119 MONADNOCK CO THE
 18301 ARENTH AVENUE PO BOX 1222
 CITY OF INDUSTRY, CALIFORNIA 91749
 FORMERLY UNITED CARR FASTENER CORP VB0051 VB0056 VB0076
 FORMERLY TRW ELECTRONIC COMPONENTS CINCH-MONADNOCK DIV
 FORMERLY CINCH-MONADNOCK DIV OF TRW INC V76530

60380 TORRINGTON CO BEARINGS DIV SUBSIDIARY OF INGERSOLL-RAND CORP
 59 FIELD STREET PO BOX 1008
 TORRINGTON, CONNECTICUT 06790-4942
 FORMERLY TORRINGTON BEARING COMPANY

71087 BOOTS ACFT NUT DIV TOWNSEND CO SEE TEXTRON INC CHERRY
 FASTENER TOWNSEND DIV V11815

72962 ELASTIC STOP NUT A DIV OF HARTFORD INDUSTRIES INC
 2330 VAUXHALL ROAD
 UNION, NEW JERSEY 07083-5038
 FORMERLY AMERACE CORP ESNA DIV

77896 REXNORD INC BEARING OPERATION
 2400 CURTIS STREET
 DOWNERS GROVE, ILLINOIS 60515-4005
 FORMERLY SHAEFER BEARING DIV REX CHAINBELT
 FORMERLY REX CHAINBELT INC BEARING DIV.

80539 SPS TECHNOLOGIES INC AEROSPACE PRODUCTS DIV
 2701 SOUTH HARBOR BOULEVARD PO BOX 1259
 SANTA ANA, CALIFORNIA 92702-1259
 FORMERLY NUTT-SHEL DIV OF SPC WESTERN CO V80539
 AND STANDARD PRESSED STEEL WESTERN DIV V17279

25-28-42

 ILLUSTRATED PARTS LIST
 01.1 Page 1003
 Mar 01/98

VENDORS

92215 FAIRCHILD IND INC FAIRCHILD AEROSPACE FASTENER DIV
3010 W LOMITA BLVD
TORRANCE, CALIFORNIA 90505-5102
FORMERLY VOI-SHAN IN CULVER CITY, CALIF

94222 SOUTHCO INCORPORATED
210 NORTH BRINTON LAKE ROAD
CONCORDVILLE, PENNSYLVANIA 19331
FORMERLY SOUTH CHESTER CORP. SOUTHCO DIVN V24248
FORMERLY IN LESTER, PENNSYLVANIA

97393 SHUR-LOK CORPORATION
2541 WHITE ROAD PO BOX 19584
IRVINE, CALIFORNIA 92713
FORMERLY SHUR LOK CORP VB0060
FORMERLY IN SANTA ANA, CALIFORNIA 92714

25-28-42

ILLUSTRATED PARTS LIST
01.1 Page 1004
Mar 01/98


BOEING
 COMPONENT
 MAINTENANCE MANUAL

PART NUMBER	AIRLINE PART NO.	FIG.	ITEM	TTL REQ
AN960JD10L		7	240	4
		9	300	2
		9	340	2
AN960KD10L		2	155	2
		2	195	2
		3	180	2
		3	215	2
		4	120	2
		4	160	2
		4	160	2
AN960PD10L		1	175A	2
		1	240A	2
		5	145	2
		5	205	2
		6	335	2
		6	367	2
		7	130	2
		7	180	2
A11330-6-3		1	190A	6
		1	200A	3
		1	255A	6
		1	265A	3
		1	320A	2
		1	355A	1
		2	170A	9
		2	210A	9
		2	257	2
		3	195A	9
		3	230A	9
		3	277	2
		4	135A	6
		4	175A	6
		4	225A	2
		5	165	6
		5	167	3
		5	225	6
5	230	3		
5	280	2		
6	270	6		
6	270B	3		
6	310	6		

25-28-42

ILLUSTRATED PARTS LIST

01.1

Page 1005

Mar 01/98

PART NUMBER	AIRLINE PART NO.	FIG.	ITEM	TTL REQ	
A11330-6-3		6	350	3	
		6	375	3	
		6	425	2	
		7	145	9	
		7	195	9	
		8	185	6	
		8	190	3	
		8	250	6	
		8	255	3	
		8	305	2	
		9	265	6	
		9	285	6	
		9	325	3	
		9	365	3	
		9	390	2	
		10	165	9	
		10	170	9	
		10	250	2	
	A4972-6-02		1	190A	6
			1	200A	3
		1	255A	6	
		1	265A	3	
		1	320A	2	
		1	355A	1	
		2	170A	9	
		2	210A	9	
		2	257	2	
		3	195A	9	
		3	230A	9	
		3	277	2	
		4	135A	6	
		4	175A	6	
		4	225A	2	
	5	165	6		
	5	167	3		
	5	225	6		

25-28-42

 ILLUSTRATED PARTS LIST
 01.1 Page 1006
 Mar 01/98


BOEING
 COMPONENT
 MAINTENANCE MANUAL

PART NUMBER	AIRLINE PART NO.	FIG.	ITEM	TTL REQ	
A4972-6-02		5	230	3	
		5	280	2	
		6	270	6	
		6	270B	3	
		6	310	6	
		6	350	3	
		6	375	3	
		6	425	2	
		7	145	9	
		7	195	9	
		8	185	6	
		8	190	3	
		8	250	6	
		8	255	3	
		8	305	2	
		9	265	6	
		9	285	6	
		9	325	3	
		9	365	3	
		9	390	2	
		10	165	9	
		10	170	9	
		10	250	2	
	BACB30NN3K13 BACB30NN3K15		1	335	1
			1	300	4
			2	240	4
			3	260	4
			4	205	4
			5	265A	4
			5	275	2
			6	405	4
			7	230	4
			8	290	4
	9	375	4		
	10	230	4		

25-28-42

ILLUSTRATED PARTS LIST

01.1

Page 1007

Mar 01/98

PART NUMBER	AIRLINE PART NO.	FIG.	ITEM	TTL REQ
BACB30NN3K18		1	310	2
		2	245	2
BACB30NN3K18		3	265	2
		4	215	2
		5	275A	2
		6	420	2
		7	235	2
		8	300	2
		9	385	2
		10	245	2
BACF12FA3K3		3	280	22
BACG20ZC000432		9	112	1
BACG20ZC000495		9	113	1
BACG20ZC000780		6	132A	1
		9	110A	1

25-28-42

 ILLUSTRATED PARTS LIST
 01.1 Page 1008
 Mar 01/98


BOEING
 COMPONENT
 MAINTENANCE MANUAL

PART NUMBER	AIRLINE PART NO.	FIG.	ITEM	TTL REQ
BACG20ZD635		3	146	1
		7	96	1
BACG20ZG000700		9	217	1
BACN10FX16		1	190A	6
		1	200A	3
		1	255A	6
		1	265A	3
		1	320A	2
		1	355A	1
		2	170A	9
		2	210A	9
		2	257	2
		3	195A	9
		3	230A	9
		3	277	2
		4	135A	6
		4	175A	6
		4	225A	2
		5	165	6
		5	167	3
		5	225	6
		5	230	3
		5	280	2
		6	270	6
		6	270B	3
		6	310	6
		6	350	3
		6	375	3
		6	425	2
		7	145	9
		7	195	9
		8	185	6
		8	190	3
		8	250	6
		8	255	3
		8	305	2
		9	265	6
		9	285	6
		9	325	3
		9	365	3
		9	390	2
		10	165	9
		10	170	9
		10	250	2

25-28-42

 ILLUSTRATED PARTS LIST
 01.1 Page 1009
 Mar 01/98

PART NUMBER	AIRLINE PART NO.	FIG.	ITEM	TTL REQ		
BACN10JC3		1	180	2		
		1	245	2		
		1	305A	4		
		2	160	2		
		2	200	2		
		2	255	4		
		3	185	2		
		3	220	2		
		3	275	4		
		4	125	2		
		4	165	2		
		4	210	4		
		5	150	2		
		5	210	2		
		5	270	4		
		6	340	2		
		6	368	2		
		6	415	4		
		7	135	2		
		7	185	2		
		7	245A	4		
		BACN10JC3		8	295A	4
				9	305	2
				9	345	2
				9	377	4
		BACN10JC3CD		10	240	4
				1	305B	4
2	160A			2		
2	200A			2		
2	255A			4		
3	185A			2		
3	220A			2		
3	275A			4		
4	125A			2		
4	165A			2		
4	210A			4		
5	270A			4		
7	135A			2		
7	185A			2		
7	245	4				

25-28-42

 ILLUSTRATED PARTS LIST
 01.1 Page 1010
 Mar 01/98


BOEING
 COMPONENT
 MAINTENANCE MANUAL

PART NUMBER	AIRLINE PART NO.	FIG.	ITEM	TTL REQ	
BACN10KH3		1	190	6	
		1	200	3	
		1	255	6	
		1	265	3	
		2	170	9	
		2	210	9	
		3	195	9	
		3	230	9	
		4	135	6	
		4	175	6	
	BACN10YD1		7	250	2
		BACR11AM2	3	310	4
	6		155	4	
	7		285	4	
BACR12AG2C	9	135	4		
	3	145	4		
	7	95	4		
BACR121AG2C	9	105A	4		
	6	130	4		
	BACR15BA3AD	3	305	8	
6		150	8		
7		280	8		
BACR15BA3D	9	130	8		
	1	185	12		
	1	195	6		
BACR15BA3D	1	250	12		
	1	260	6		
	2	165	18		
	2	205	18		
	3	190	18		
	3	225	18		
	4	130	12		
	4	170	12		

25-28-42

ILLUSTRATED PARTS LIST

01.1

Page 1011

Mar 01/98

PART NUMBER	AIRLINE PART NO.	FIG.	ITEM	TTL REQ
BACR15DA4		3	370	1
		6	225	1
		7	330	1
		8	120	4
BACS12FA3K3		1	50	6
		1	375	15
		1	380	1
		2	15	12
		2	260A	22
		3	15	12
		3	300	6
		3	335	11
		3	345	11
		4	20	6
		4	230	15
		4	235	1
		5	10	12
		5	285	6
		5	290A	10
		6	15	12
		6	145	6
		6	185	11
		6	200	11
		6	430	22
		7	10	6
		7	255	16
		7	275	6
		7	315	27
		8	10	6
		8	85	52
	8	310	16	
	9	15	12	
	9	125	12	
	9	400	16	
	10	10	12	

25-28-42

 ILLUSTRATED PARTS LIST
 01.1 Page 1012
 Mar 01/98


BOEING
 COMPONENT
 MAINTENANCE MANUAL

PART NUMBER	AIRLINE PART NO.	FIG.	ITEM	TTL REQ
BACS12FA3K3		10	85	52
		10	255	16
BACS12FA3K4		1	160	4
		1	165	2
		1	225	4
		1	230	2
		2	145	6
		2	185	6
		3	170	6
		3	210	6
		4	110	2
		4	150	2
		5	86	32
		5	88	8
		5	91	12
		5	130	4
		5	135	2
		5	190	4
		5	195	2
		6	232	28
		6	237	8
		6	260	2
		6	285	2
		6	325	2
		6	365	2
		7	120	6
		7	170	6
		8	85K	26
		8	100	44
		8	117	1
8	150	4		
8	155	2		
8	215	4		
8	220	2		
9	155	47		
9	205	29		
9	255	4		
9	275	4		
10	105	44		
10	125	1		
10	160	12		

25-28-42

ILLUSTRATED PARTS LIST

01.1

Page 1013

Mar 01/98

PART NUMBER	AIRLINE PART NO.	FIG.	ITEM	TTL REQ
BACS12FA3K5		1	170	2
		1	235	2
		1	280	4
BACS12FA3K5		2	150	2
		2	190	2
		2	220	4
		3	175	2
		3	212	2
		3	240	4
		4	115	2
		4	155	2
		4	185	4
		5	140	2
		5	200	2
		6	330	2
		6	366	2
		6	385	4
		7	125	2
		7	175	2
		7	210	4
BACS12FA3K6		8	270	4
		9	295	2
		9	335	2
		10	220	4
		5	245	4
		9	315	2
		9	355	2
BACS18K10-48W		1	340	1
BACS21AP240R		3	140	4
		7	90	4
BACS21AP260RP		6	125	4
		9	100	4
		1	345	1
BACS30NN3K22 BACW10P111R60		3	317	4
		6	165	4
		7	295	4
		9	145	4
		3	315	3
BACW10P79R40		6	160	2
		7	290	2
		9	140	2
		5	267	4
BACW10UC102P		6	410A	4
		8	292	4
		9	376	4
		10	235	4

25-28-42

 ILLUSTRATED PARTS LIST
 01.1 Page 1014
 Mar 01/98


BOEING
 COMPONENT
 MAINTENANCE MANUAL

PART NUMBER	AIRLINE PART NO.	FIG.	ITEM	TTL REQ
BAC27TPPS0242		1	445B	1
		2	320	1
BAC27TPPS0251		5	400A	1
		6	540	1
BAC27TPPS0252		1	445	1
		3	430	1
		4	290	1
		6	540A	1
		9	495	1
BAC27TPPS50252		5	400	1
BAC29PPS0632		1	445C	1
		5	400B	1
BAC29PPS2173		1	450	1
		2	320A	1
		3	430B	1
		5	405	1
		7	360	1
		8	420	1
		8	440	1
		10	355	2
BAC29PPS2175		1	455A	1
		2	325	1
		5	410C	1
		8	425	1
BAC29PPS2177		1	455E	1
		5	410A	1
BAC29PPS2179		1	455	1
		3	435A	1
		5	410D	1
		8	435	1
BAC29PPS2768		1	455B	1
		5	410E	1
		8	430A	1
BAC29PPS5309		1	455C	1
		5	410B	1
		7	365	1
BAC29PPS5612		1	455D	1
		5	410	1
BAC29PP6430		8	445	1
BRC600-8-3		7	250	2
BRH10A3		1	180	2
		1	245	2
		1	305A	4
		2	160	2
		2	200	2
		2	255	4
		3	185	2

25-28-42

 ILLUSTRATED PARTS LIST
 01.1 Page 1015
 Mar 01/98

PART NUMBER	AIRLINE PART NO.	FIG.	ITEM	TTL REQ
BRH10A3		3	220	2
		3	275	4
		4	125	2
		4	165	2
		4	210	4
		5	150	2
		5	210	2
		5	270	4
		6	340	2
		6	368	2
		6	415	4
		7	135	2
		7	185	2
		7	245A	4
		8	295A	4
		9	305	2
		9	345	2
		9	377	4
		10	240	4
	B47		5	55A
		8	55A	4
		10	55A	4
CA1825		1	80	2
		2	45	2
		3	45	2
		4	45	2
		5	35	2
		6	40	2
		7	35	2
		8	35	2
		9	40	2
		10	35	2
CA18271-9		1	75	2
		2	40	2
		3	40	2
		4	40	2
		5	30	2
		6	35	2
		7	30	2
		8	30	2
		9	35	2
		10	30	2

25-28-42

 ILLUSTRATED PARTS LIST
 01.1 Page 1016
 Mar 01/98


BOEING
 COMPONENT
 MAINTENANCE MANUAL

PART NUMBER	AIRLINE PART NO.	FIG.	ITEM	TTL REQ
F29779-3		1	190	6
		1	200	3
F29779-3		1	255	6
		1	265	3
		2	170	9
		2	210	9
		3	195	9
		3	230	9
		4	135	6
		4	175	6
H10-3BAC		1	180	2
		1	245	2
		1	305A	4
		2	160	2
		2	200	2
		2	255	4
		3	185	2
		3	220	2
		3	275	4
		4	125	2
		4	165	2
		4	210	4
		5	150	2
		5	210	2
		5	270	4
		6	340	2
		6	368	2
		6	415	4
		7	135	2
		7	185	2
		7	245A	4
		8	295A	4
		9	305	2
		9	345	2
		9	377	4
		10	240	4
MS21042L3		1	305D	4
NAS1398D4		8	120K	1
NAS1398D4A2		9	175	1
NAS1399D4		8	120L	1
		10	130	1
NAS1834A3-290		1	435	2
		2	310	2
		3	415	2
		4	280	2
		5	345	2

25-28-42

 ILLUSTRATED PARTS LIST
 01.1 Page 1017
 Mar 01/98

PART NUMBER	AIRLINE PART NO.	FIG.	ITEM	TTL REQ		
NAS1834A3-290		7	357	2		
		9	455	2		
		10	315	2		
NAS1834A3K250		1	360	2		
NAS1836-3-07		1	400A	4		
		2	280A	4		
		3	390A	4		
		4	255A	4		
		5	385	4		
		7	346	4		
		8	405	4		
		9	485	4		
		10	345	4		
		NAS1836-3-08		6	530A	10
NAS1836A3-08		6	535A	2		
		6	530	10		
NAS1838-3-07		6	535	2		
		8	336	20		
		9	235	14		
		9	460	16		
		6	510	4		
		1	130	18		
		2	130	18		
		3	150	18		
		4	95	18		
NAS514P1032-6		5	105	12		
		5	110	6		
		6	245	18		
		7	100	18		
		8	130	18		
		9	245	18		
		10	140	18		
		6	515	16		
		NAS618-3A		1	190	6
		NS103225-02		1	200	3
1	255			6		
1	265			3		
2	170			9		
2	210			9		
3	195			9		
3	230			9		
4	135			6		
4	175			6		

25-28-42

 ILLUSTRATED PARTS LIST
 01.1 Page 1018
 Mar 01/98


BOEING
 COMPONENT
 MAINTENANCE MANUAL

PART NUMBER	AIRLINE PART NO.	FIG.	ITEM	TTL REQ
NS202101-02		1	180	2
		1	245	2
NS202101-02		1	305A	4
		2	160	2
		2	200	2
		2	255	4
		3	185	2
		3	220	2
		3	275	4
		4	125	2
		4	165	2
		4	210	4
		5	150	2
		5	210	2
		5	270	4
		6	340	2
		6	368	2
		6	415	4
		7	135	2
		7	185	2
		7	245A	4
		8	295A	4
9	305	2		
9	345	2		
9	377	4		
RMF9209M3		10	240	4
		1	190	6
		1	200	3
		1	255	6
		1	265	3
		2	170	9
		2	210	9
		3	195	9
		3	230	9
		4	135	6
RMLH9075-3W		4	175	6
		1	180	2
		1	245	2
		1	305A	4
		2	160	2
		2	200	2
		2	255	4
		3	185	2
		3	220	2
		3	275	4
4	125	2		

25-28-42

 ILLUSTRATED PARTS LIST
 01.1 Page 1019
 Mar 01/98

PART NUMBER	AIRLINE PART NO.	FIG.	ITEM	TTL REQ
RMLH9075-3W		4	165	2
		4	210	4
		5	150	2
		5	210	2
		5	270	4
		6	340	2
		6	368	2
		6	415	4
		7	135	2
		7	185	2
		7	245A	4
		8	295A	4
		9	305	2
		9	345	2
		9	377	4
		10	240	4
	RM52LHA4972-6-0		1	190A
		1	200A	3
		1	255A	6
		1	265A	3
		1	320A	2
		1	355A	1
		2	170A	9
		2	210A	9
		2	257	2
		3	195A	9
		3	230A	9
		3	277	2
		4	135A	6
		4	175A	6
		4	225A	2
		5	165	6
		5	167	3
		5	225	6
		5	230	3
	5	280	2	
	6	270	6	
	6	270B	3	
	6	310	6	

25-28-42

 ILLUSTRATED PARTS LIST
 01.1 Page 1020
 Mar 01/98


BOEING
 COMPONENT
 MAINTENANCE MANUAL

PART NUMBER	AIRLINE PART NO.	FIG.	ITEM	TTL REQ	
RM52LHA4972-6-0		6	350	3	
		6	375	3	
		6	425	2	
		7	145	9	
		7	195	9	
		8	185	6	
		8	190	3	
		8	250	6	
		8	255	3	
		8	305	2	
		9	265	6	
		9	285	6	
		9	325	3	
		9	365	3	
		9	390	2	
		10	165	9	
		10	170	9	
		10	250	2	
	SL2113-1		1	190B	6
			1	200B	3
		1	255B	6	
		2	170B	9	
		2	210B	9	
		3	195B	9	
		3	230B	9	
		4	135B	6	
		4	175B	6	
		5	165A	6	
		5	167A	3	
		5	225A	6	
		5	230A	3	
		6	270A	6	
		6	310A	6	
		6	350A	3	
SL2113-1		6	375A	3	
		7	145A	9	
		7	195A	9	
		8	185A	6	
		8	190A	3	
		8	250A	6	
		8	255A	3	

25-28-42

ILLUSTRATED PARTS LIST

01.1

Page 1021

Mar 01/98

PART NUMBER	AIRLINE PART NO.	FIG.	ITEM	TTL REQ
SL2113-11 SL603-3-290A SL604-3-290ASP4		1	265B	3
		8	370A	2
		1	443	4
		2	315A	4
		3	420A	4
		4	285A	4
		5	355	4
		6	490	4
		7	356	4
		8	385	4
SL618-3A		9	440	4
		10	325	4
		1	405	18
		1	407	4
		1	410	4
		1	412	4
		1	414	4
		1	430	12
		1	432	8
		1	434	4
		2	285	26
		2	305	14
		3	395	42
		3	425	30
		4	5	4
		4	260	18
		4	275	12
		5	310A	12
		5	315B	2
		5	320	12
		5	350B	16
		5	360	6
		5	361	8
		5	390D	12
		5	395D	2
		6	190	14
		6	456	26
		6	460	5

25-28-42

 ILLUSTRATED PARTS LIST
 01.1 Page 1022
 Mar 01/98


BOEING
 COMPONENT
 MAINTENANCE MANUAL

PART NUMBER	AIRLINE PART NO.	FIG.	ITEM	TTL REQ	
SL618-3A		6	480B	12	
		6	485	14	
		6	486A	6	
		6	520	10	
		6	525	16	
		7	345	38	
		7	358	22	
		8	328	14	
		8	330B	4	
		8	331	1	
		8	337	12	
		8	345	29	
		8	380B	22	
		8	390	4	
		8	413	14	
		9	195	17	
		9	230	31	
		9	445	22	
		9	450	14	
		10	280	28	
		10	295	32	
		10	320	16	
		10	330	6	
	SL6224-3A		3	340A	14
			5	375A	18
			5	380A	4
			5	386	2
		5	387	12	
		5	390B	12	
		5	395B	2	
		5	396A	4	
		5	397A	4	
		8	410B	22	
		8	411	4	
		8	412	4	
		8	413A	14	
		8	414	4	
		8	415	6	
		8	416	6	
		8	417	16	
		8	418	14	
		9	480B	56	
		10	350	56	

25-28-42

ILLUSTRATED PARTS LIST

01.1

Page 1023

Mar 01/98

PART NUMBER	AIRLINE PART NO.	FIG.	ITEM	TTL REQ
SL6224-3A2		5	375B	18
		5	380B	4
SL6224-3A2		5	390E	12
		5	392	16
		5	395E	2
S413T103-19		1	295F	1
		2	235B	1
		3	255B	1
		5	260B	1
		6	400	1
		8	285	1
		9	395	1
		10	225	1
S413T103-20		1	295G	1
		4	200B	1
		5	260	1
S413T103-21		1	295H	1
		5	260C	1
S413T103-26		1	295L	1
		5	260D	1
S413T103-28		1	295M	1
		5	260L	1
S413T103-30		1	295N	1
		5	260G	1
		7	225	1
S413T103-34		1	295S	1
		5	260J	1
S413T103-35		1	295R	1
		5	260F	1
S413T103-6		1	295B	1
		2	235	1
		3	255	1
		5	260K	1
		6	400A	1
		8	285A	1
		9	395A	1
		10	225A	1

25-28-42

 ILLUSTRATED PARTS LIST
 01.1 Page 1024
 Mar 01/98


BOEING
 COMPONENT
 MAINTENANCE MANUAL

PART NUMBER	AIRLINE PART NO.	FIG.	ITEM	TTL REQ
S413T103-7		1	295	1
		4	200	1
		5	260A	1
S413T103-8		1	295A	1
S6224-3A		8	322	34
T6S1032J		1	180	2
T6S1032J		1	245	2
		1	305A	4
		2	160	2
		2	200	2
		2	255	4
		3	185	2
		3	220	2
		3	275	4
		4	125	2
		4	165	2
		4	210	4
		5	150	2
		5	210	2
		5	270	4
		6	340	2
		6	368	2
		6	415	4
		7	135	2
		7	185	2
		7	245A	4
		8	295A	4
		9	305	2
		9	345	2
		9	377	4
		10	240	4

25-28-42

ILLUSTRATED PARTS LIST

01.1

Page 1025

Mar 01/98

PART NUMBER	AIRLINE PART NO.	FIG.	ITEM	TTL REQ		
VN303A02		1	180	2		
		1	245	2		
		1	305A	4		
		2	160	2		
		2	200	2		
		2	255	4		
		3	185	2		
		3	220	2		
		3	275	4		
		4	125	2		
		4	165	2		
		4	210	4		
		5	150	2		
		5	210	2		
		5	270	4		
		6	340	2		
		6	368	2		
		6	415	4		
		VN303A02		7	135	2
				7	185	2
7	245A			4		
8	295A			4		
9	305			2		
9	345			2		
9	377			4		
10	240			4		
Y47				1	100	4
				2	65	4
		3	65	4		
		4	65	4		
		5	55	4		
		6	60	4		
		7	55	4		
		8	55	4		
		9	60	4		
		10	55	4		

25-28-42

 ILLUSTRATED PARTS LIST
 01.1 Page 1026
 Mar 01/98


BOEING
 COMPONENT
 MAINTENANCE MANUAL

PART NUMBER	AIRLINE PART NO.	FIG.	ITEM	TTL REQ	
130069		1	190A	6	
		1	200A	3	
		1	255A	6	
		1	265A	3	
		1	320A	2	
		1	355A	1	
		2	170A	9	
		2	210A	9	
		2	257	2	
		3	195A	9	
		3	230A	9	
		3	277	2	
		4	135A	6	
		4	175A	6	
		4	225A	2	
		5	165	6	
		5	167	3	
		5	225	6	
		5	230	3	
		5	280	2	
		6	270	6	
		6	270B	3	
		6	310	6	
		6	350	3	
		6	375	3	
		6	425	2	
		7	145	9	
		7	195	9	
		8	185	6	
		8	190	3	
		8	250	6	
		8	255	3	
		8	305	2	
		9	265	6	
		9	285	6	
		9	325	3	
		9	365	3	
		9	390	2	
		10	165	9	
		10	170	9	
		10	250	2	
	130120 2-295		7	250	2
			3	310	4
			6	155	4
			7	285	4
			9	135	4

25-28-42

ILLUSTRATED PARTS LIST

01.1

Page 1027

Mar 01/98

PART NUMBER	AIRLINE PART NO.	FIG.	ITEM	TTL REQ
413T1036-12		1	125	4
		2	115	2
		3	115	2
		4	90	4
		5	80	4
		6	100	2
		7	80	4
		8	80	4
		9	85	4
		10	80	4
413T1036-15		2	125	1
		3	125	1
		6	105	1
413T1036-32		2	85	1
		2	105	1
413T1036-32		3	85	1
		3	105	1
		6	80	2
413T1036-35		2	120	1
		3	120	1
413T1036-40		6	110	1
		2	110	1
		3	110	1
413T1036-41		6	95	1
		1	70	2
		2	35	2
		3	35	2
		4	35	2
		5	25	2
		6	30	2
		7	25	2
		8	25	2
		9	30	2
413T1036-42		10	25	2
		1	110	2
		4	75	2
		5	65	2
		7	65	2
		8	65	2
		9	70	2
		10	65	2

25-28-42

 ILLUSTRATED PARTS LIST
 01.1 Page 1028
 Mar 01/98


BOEING
 COMPONENT
 MAINTENANCE MANUAL

PART NUMBER	AIRLINE PART NO.	FIG.	ITEM	TTL REQ		
413T1036-43		1	105	1		
		2	70	2		
		3	70	2		
		4	70	1		
		6	65	2		
		7	60	2		
		8	60	2		
		10	60	2		
		413T1036-44		1	120	2
				4	85	2
5	75			2		
7	75			2		
8	75			2		
9	80			2		
10	75			2		
413T1036-45				2	75	1
				3	75	1
				6	70	1
413T1036-46		2	95	1		
413T1036-46		3	95	1		
413T1036-47		6	75	1		
		2	90	1		
		3	90	1		
		6	90	1		
413T1039-12		3	295	2		
		6	140A	2		
		7	270	2		
		9	120	2		
413T1039-15		3	320	2		
		6	170	2		
		7	300	2		
		9	150	2		
413T1039-26		3	375	1		
		6	230	1		
		7	335	1		
		8	125	1		
		9	180	1		
		10	135	2		

25-28-42

ILLUSTRATED PARTS LIST

01.1

Page 1029

Mar 01/98

PART NUMBER	AIRLINE PART NO.	FIG.	ITEM	TTL REQ		
413T1039-27		1	385	1		
		4	240	1		
		5	295	1		
		7	260	1		
		8	315	1		
		9	410	1		
		10	260	1		
		413T1039-28		1	390	1
				4	245	1
				5	300	1
7	265			1		
8	320			1		
413T1039-29		9	405	1		
		10	265	1		
		2	265	1		
		3	285	1		
		6	440	1		
413T1039-30		2	270	1		
		3	290	1		
413T1039-31		6	435	1		
		3	350	1		
413T1039-32		6	205	1		
		3	355	1		
413T1039-37		6	210	1		
413T1039-38		5	295A	1		
413T1042-1031		5	300A	1		
		1	415D	1		
413T1042-1032		7	350	1		
		1	145E	1		
		5	115C	1		
413T1042-122		1	415A	1		
413T1042-1535		7	105	1		
413T1042-1729		5	117	2		
		8	359	2		
413T1042-20		1	415	1		
		4	265	1		

25-28-42

 ILLUSTRATED PARTS LIST
 01.1 Page 1030
 Mar 01/98


BOEING
 COMPONENT
 MAINTENANCE MANUAL

PART NUMBER	AIRLINE PART NO.	FIG.	ITEM	TTL REQ
413T1042-21		1	415B	1
413T1042-22		2	290	1
		3	400	1
413T1042-24		1	45	1
		2	10	2
		3	10	2
		4	15	1
		5	5	2
		6	10	2
		7	5	1
		8	5	1
		9	10	2
		10	5	2
413T1042-25		1	65	1
		2	30	2
		3	30	2
		4	30	1
		5	20	2
		6	25	2
		7	20	1
		8	20	1
		9	25	2
		10	20	2
413T1042-263		3	155	1
		6	250A	1
413T1042-264		3	160	1
		6	250B	1
413T1042-265		1	145	1
		4	100	1
		5	115	1
413T1042-267		1	285	1
		2	225	1
		3	245	1
413T1042-267		4	190	1
413T1042-268		1	290	1
		2	230	1
		3	250	1
		4	195	1

25-28-42

ILLUSTRATED PARTS LIST

01.1

Page 1031

Mar 01/98

PART NUMBER	AIRLINE PART NO.	FIG.	ITEM	TTL REQ		
413T1042-269		1	145B	1		
		2	135	1		
		5	115A	1		
		6	250	1		
		8	135	1		
		9	250	1		
		10	145	1		
		413T1042-270		3	360	1
				6	215	1
				7	320	1
8	90			6		
8	90J			1		
9	160			1		
10	90			2		
413T1042-271				3	365	1
				6	220	1
				7	325	5
		8	92	3		
		9	165	3		
		10	95	6		
		413T1042-275		1	440	4
				2	315	4
				3	420	4
				4	285	4
5	355A			4		
6	490A			4		
7	356A			4		
9	440A			4		
413T1042-41				1	60	1
				2	25	2
		3	25	2		
		4	25	1		
		5	15	2		
		6	20	2		
		7	15	1		
		8	15	1		
		9	20	2		
		10	15	2		

25-28-42

 ILLUSTRATED PARTS LIST
 01.1 Page 1032
 Mar 01/98


BOEING
 COMPONENT
 MAINTENANCE MANUAL

PART NUMBER	AIRLINE PART NO.	FIG.	ITEM	TTL REQ
413T1042-438		1	145C	1
413T1042-637		1	415C	1
413T1042-638		1	145D	1
		5	115B	1
413T1042-771		1	285A	1
		2	225A	1
		3	245A	1
		4	190A	1
		5	250	1
		6	390	1
		7	215	1
		9	310	1
413T1042-772		1	290A	1
		2	230A	1
		3	250A	1
		4	195A	1
		5	255	1
		6	395	1
		7	220	1
		9	350	1
413T1046-43		5	60	2
		9	65	2
413T1047-100SP		1	2R	RF
		6	1B	RF
413T1047-101SP		1	6K	RF
		6	5A	RF
413T1047-102SP		1	2S	RF
		5	1H	RF
413T1047-103SP		1	4A	RF
		5	2B	RF
413T1047-104SP		1	2T	RF
		5	1J	RF
413T1047-105SP		1	2U	RF
		5	1K	RF
413T1047-106SP		1	2V	RF
		5	1L	RF
413T1047-110SP		1	2G	RF
		5	1	RF
413T1047-111SP		1	2H	RF
		5	1A	RF
413T1047-112SP		1	2J	RF
		6	1	RF
413T1047-113SP		1	2K	RF
		6	1A	RF

25-28-42

 ILLUSTRATED PARTS LIST
 01.1 Page 1033
 Mar 01/98

PART NUMBER	AIRLINE PART NO.	FIG.	ITEM	TTL REQ
413T1047-114SP		1	6H	RF
		6	5	RF
413T1047-115SP		1	2L	RF
		5	1G	RF
413T1047-116SP		1	2M	RF
		5	1C	RF
413T1047-117SP		1	3Q	RF
		5	1M	RF
413T1047-118SP		1	2X	RF
		5	1N	RF
413T1047-119SP		1	2Y	RF
		5	1P	RF
413T1047-120SP		1	2Z	RF
		5	1Q	RF
413T1047-122SP		1	3K	RF
		5	1V	RF
413T1047-123SP		1	3A	RF
		5	1R	RF
413T1047-127SP		1	2F	RF
413T1047-128SP		1	6G	RF
413T1047-129SP		1	6J	RF
		7	1	RF
413T1047-133SP		1	2N	RF
		5	1D	RF
413T1047-135		6	242	2
413T1047-136SP		1	2Q	RF
		5	1F	RF
413T1047-140SP		1	3E	RF
		5	1T	RF
413T1047-141SP		1	3F	RF
		8	1	RF
413T1047-142SP		1	3L	RF
		5	1W	RF
413T1047-143SP		1	3M	RF
		5	1X	RF

25-28-42

 ILLUSTRATED PARTS LIST
 01.1 Page 1034
 Mar 01/98


BOEING
 COMPONENT
 MAINTENANCE MANUAL

PART NUMBER	AIRLINE PART NO.	FIG.	ITEM	TTL REQ
413T1047-144SP		1	3N	RF
		5	1Y	RF
413T1047-145SP		1	3P	RF
		5	1Z	RF
413T1047-146SP		1	6N	RF
		5	3	RF
413T1047-147SP		1	6R	RF
		5	3F	RF
413T1047-151SP		1	3T	RF
		5	3C	RF
413T1047-152SP		1	3U	RF
		5	3D	RF
413T1047-153SP		1	3V	RF
		5	3E	RF
413T1047-157SP		1	3W	RF
		9	1	RF
413T1047-158SP		1	6P	RF
		9	5	RF
413T1047-159SP		1	3X	RF
		8	1A	RF
413T1047-161SP		1	3Y	RF
		9	1A	RF
413T1047-162SP		1	6Q	RF
		9	5A	RF
413T1047-164SP		1	3Z	RF
		5	2	RF
413T1047-165SP		1	4	RF
		5	2A	RF
413T1047-166SP		1	6S	RF
		5	2C	RF
413T1047-167SP		1	6T	RF
		8	1B	RF
413T1047-168SP		1	6U	RF
		8	1C	RF
413T1047-169SP		1	6V	RF
		8	1D	RF

25-28-42

 ILLUSTRATED PARTS LIST
 01.1 Page 1035
 Mar 01/98

PART NUMBER	AIRLINE PART NO.	FIG.	ITEM	TTL REQ
413T1047-170SP		1	6W	RF
		8	1E	RF
413T1047-172SP		1	6X	RF
		10	1A	RF
413T1047-173SP		1	6Y	RF
		8	1F	RF
413T1047-174SP		1	6Z	RF
		8	1G	RF
413T1047-175SP		1	7	RF
		5	2D	RF
413T1047-176SP		1	7A	RF
		8	1H	RF
413T1047-177SP		1	7B	RF
		8	1J	RF
413T1047-23SP		1	1	RF
		4	10	1
413T1047-24SP		1	5	RF
413T1047-25SP		1	1A	RF
413T1047-26SP		1	5A	RF
413T1047-27SP		1	1B	RF
413T1047-28SP		1	5B	RF
413T1047-29SP		1	1C	RF
		2	1	RF
413T1047-30SP		1	5C	RF
		2	5	RF
413T1047-31SP		1	1D	RF
		3	1	RF
413T1047-32SP		1	5D	RF
		3	5	RF
413T1047-33SP		1	1E	RF
413T1047-34SP		1	5E	RF
413T1047-35SP		1	1F	RF
		4	1	RF
413T1047-37SP		1	1G	RF
		3	1A	RF

25-28-42

 ILLUSTRATED PARTS LIST
 01.1 Page 1036
 Mar 01/98


BOEING
 COMPONENT
 MAINTENANCE MANUAL

PART NUMBER	AIRLINE PART NO.	FIG.	ITEM	TTL REQ
413T1047-38SP		1	5F	RF
		3	5A	RF
413T1047-39SP		1	1K	RF
413T1047-40SP		1	5J	RF
413T1047-41SP		1	1J	RF
413T1047-42SP		1	5H	RF
413T1047-43SP		1	1H	RF
413T1047-44SP		1	5G	RF
413T1047-45SP		1	1L	RF
413T1047-46SP		1	5K	RF
413T1047-47SP		1	1M	RF
413T1047-48SP		1	5L	RF
413T1047-49SP		1	1N	RF
413T1047-50SP		1	5M	RF
413T1047-51SP		1	1P	RF
413T1047-52SP		1	5N	RF
413T1047-53SP		1	1Q	RF
		3	1B	RF
413T1047-54SP		1	5P	RF
		3	5B	RF
413T1047-55SP		1	1R	RF
		2	1A	RF
413T1047-56SP		1	5Q	RF
		2	5A	RF
413T1047-57SP		1	1S	RF
413T1047-58SP		1	5R	RF
413T1047-59SP		1	1T	RF
413T1047-60SP		1	5T	RF
413T1047-61SP		1	1U	RF
413T1047-62SP		1	5U	RF
413T1047-63SP		1	1V	RF
		2	1B	RF
413T1047-64SP		1	5V	RF
		2	5B	RF
413T1047-65SP		1	1W	RF
		3	1C	RF
413T1047-66SP		1	5W	RF
		3	5C	RF
413T1047-67SP		1	1X	RF
413T1047-68SP		1	5X	RF
413T1047-75SP		1	1Y	RF

25-28-42

ILLUSTRATED PARTS LIST

01.1

Page 1037

Mar 01/98

PART NUMBER	AIRLINE PART NO.	FIG.	ITEM	TTL REQ
413T1047-76SP		1	5Y	RF
413T1047-77SP		1	1Z	RF
413T1047-78SP		1	5Z	RF
413T1047-79SP		1	2	RF
413T1047-80SP		1	6	RF
413T1047-81SP		1	2A	RF
413T1047-82SP		1	6A	RF
413T1047-83SP		1	3B	RF
413T1047-84SP		1	6L	RF
413T1047-85SP		1	3C	RF
413T1047-86SP		1	6M	RF
413T1047-87SP		1	3G	RF
413T1047-88SP		1	6B	RF
413T1047-89SP		1	2B	RF
413T1047-90SP		1	6C	RF
413T1047-91SP		1	2C	RF
413T1047-92SP		1	6D	RF
413T1047-93SP		1	2D	RF
413T1047-94SP		1	6E	RF
413T1047-95SP		1	3	RF
413T1047-96SP		1	6F	RF
413T1047-97SP		1	3H	RF
		5	1U	RF
413T1047-98SP		1	3D	RF
		5	1S	RF
413T1047-99SP		1	3J	RF
		6	1C	RF
413T1048-101		5	330B	1
413T1048-102		5	335B	1
413T1048-103		5	335C	1
413T1048-104		8	365B	1
413T1048-105		9	185A	1
413T1048-106		9	185B	1
413T1048-107		9	435	1
413T1048-108		9	430	1
413T1048-109		8	325B	1
413T1048-110		8	340A	1
413T1048-111		8	334	1
		10	275	2
413T1048-113		9	92	1
413T1048-114		9	97	1
413T1048-115		9	115A	1
413T1048-116		9	117	1
413T1048-117		8	340B	1
413T1048-118		8	340C	1

25-28-42

 ILLUSTRATED PARTS LIST
 01.1 Page 1038
 Mar 01/98


BOEING
 COMPONENT
 MAINTENANCE MANUAL

PART NUMBER	AIRLINE PART NO.	FIG.	ITEM	TTL REQ
413T1048-120		8	325C	1
		10	270A	2
413T1048-122		10	290	1
413T1048-123		8	340D	1
413T1048-124		8	340E	1
413T1048-125		8	325D	1
413T1048-126		8	325E	1
413T1048-127		8	325F	1
413T1048-128		8	325G	1
413T1048-29		1	420	1
		4	270	1
413T1048-30		1	425	1
413T1048-31		1	420A	1
413T1048-32		1	425A	1
413T1048-33		1	420B	1
413T1048-34		1	425B	1
413T1048-35		2	295	1
413T1048-36		2	300	1
413T1048-37		3	405	1
413T1048-38		3	410	1
413T1048-39		1	420C	1
413T1048-40		1	425D	1
413T1048-43		1	420D	1
413T1048-44		1	425E	1
413T1048-47		1	425F	1
413T1048-48		1	425G	1
413T1048-49		1	425H	1
413T1048-50		1	425J	1
413T1048-51		1	425K	1
413T1048-52		1	425L	1
413T1048-53		1	425Q	1

25-28-42

 ILLUSTRATED PARTS LIST
 01.1 Page 1039
 Mar 01/98

PART NUMBER	AIRLINE PART NO.	FIG.	ITEM	TTL REQ
413T1048-54		1	425P	1
413T1048-55		1	425M	1
413T1048-56		1	425N	1
413T1048-57		5	335	1
		8	360	1
		9	420	1
		10	305	1
413T1048-58		5	330	1
		8	365	1
		9	425	1
		10	310	1
413T1048-59		6	470	1
413T1048-60		6	475	1
413T1048-61		5	330A	1
413T1048-62		5	335A	1
413T1048-65		5	305	1
413T1048-67		5	305B	1
413T1048-69		5	305C	1
413T1048-71		5	305A	1
		6	445A	1
413T1048-73		6	445	1
		9	220	1
413T1048-74		6	450	1
		9	225	1
413T1048-75		5	365	2
		8	395	2
		9	465	2
		10	335	2
413T1048-76		6	495	2
413T1048-77		5	325	1
413T1048-78		5	325A	1
413T1048-79		5	325C	1
413T1048-80		5	325B	1
		6	465	1
		8	338	1
		8	355	1
		9	240	1
		10	300	1

25-28-42

 ILLUSTRATED PARTS LIST
 01.1 Page 1040
 Jul 01/05


BOEING
 COMPONENT
 MAINTENANCE MANUAL

PART NUMBER	AIRLINE PART NO.	FIG.	ITEM	TTL REQ
413T1048-81		6	115A	1
		9	90A	1
413T1048-82		6	115B	1
		9	90B	1
413T1048-83		6	135	1
		9	115	1
413T1048-85		6	175A	1
413T1048-87		6	195	1
413T1048-89		7	305	1
413T1048-91		7	355	1
413T1048-93		6	470A	1
413T1048-94		6	475A	1
413T1048-95		8	335B	1
413T1048-96		8	323	2
		9	200	1
413T1048-98		8	321	2
413T1049-131SP		1	395L	1
413T1049-132SP		1	395M	1
413T1049-133SP		7	340A	1
413T1049-140SP		5	370D	1
413T1049-141SP		8	400	1
413T1049-142SP		5	370E	1
413T1049-143SP		5	370F	1
413T1049-144SP		5	370G	1
413T1049-145SP		5	370H	1
413T1049-146SP		5	370J	1
413T1049-147SP		5	370K	1
413T1049-148SP		5	370L	1
413T1049-149SP		5	370M	1
413T1049-150SP		5	370N	1
413T1049-151SP		5	370P	1

25-28-42

 ILLUSTRATED PARTS LIST
 01.1 Page 1041
 Mar 01/98

PART NUMBER	AIRLINE PART NO.	FIG.	ITEM	TTL REQ
413T1049-157SP		9	470	1
413T1049-158SP		9	475	1
413T1049-159		9	490A	1
413T1049-160		9	492	1
413T1049-161SP		8	400A	1
413T1049-163SP		8	400B	1
413T1049-164SP		8	400C	1
413T1049-166SP		10	340	1
413T1049-167SP		8	400D	1
413T1049-168SP		8	400E	1
413T1049-169SP		5	370Q	1
413T1049-171SP		8	400F	1
413T1049-172SP		8	400G	1
413T1049-41		3	130	1
		7	85	1
413T1049-42		3	135	1
413T1049-43SP		1	395	1
		4	250	1
413T1049-45SP		1	395A	1
413T1049-49SP		2	275	1
413T1049-51SP		3	380A	1
413T1049-52SP		3	380B	1
413T1049-55		3	325	1
413T1049-56		3	330	1
413T1049-57SP		1	325	1
413T1049-58SP		1	330	1
413T1049-59		1	365	1
413T1049-60		1	370	1
413T1049-63		3	130A	1
413T1049-64		3	135A	1
413T1049-66SP		1	395C	1
413T1049-81SP		1	395D	1
413T1049-88SP		1	395G	1
413T1049-89SP		1	395H	1
413T1049-90SP		1	395J	1
413T1049-91SP		1	395K	1
413T1049-92SP		5	370	1
413T1049-93SP		5	370A	1
413T1049-94SP		6	500	1
413T1049-95SP		6	500A	1

25-28-42

 ILLUSTRATED PARTS LIST
 01.1 Page 1042
 Mar 01/98


BOEING
 COMPONENT
 MAINTENANCE MANUAL

PART NUMBER	AIRLINE PART NO.	FIG.	ITEM	TTL REQ
413T1049-96SP		6	505	1
413T1049-97SP		5	370B	1
413T1049-98SP		5	370C	1
413T1060-5		1	95	2
		2	60	2
		3	60	2
		4	60	2
		5	50	2
		6	55	2
		7	50	2
		8	50	2
		9	55	2
		10	50	2
413T1060-6		1	85	2
		2	50	2
		3	50	2
		4	50	2
		5	40	2
		6	45	2
		7	40	2
		8	40	2
		9	45	2
		10	40	2
413T1060-7		1	90	2
		2	55	2
		3	55	2
413T1060-7		4	55	2
		5	45	2
		6	50	2
		7	45	2
		8	45	2
		9	50	2
		10	45	2
413T1128-10		1	205A	2
		1	210A	1
		2	175A	2
		3	200A	2
		4	140A	2
		5	170	1
		5	175	1
		5	242B	1
		6	315	2
		7	150A	2
		8	195	2

25-28-42

 ILLUSTRATED PARTS LIST
 01.1 Page 1043
 Mar 01/98

PART NUMBER	AIRLINE PART NO.	FIG.	ITEM	TTL REQ
413T1128-13		2	181	1
		3	206	1
		5	127	1
		5	180G	1
		5	185E	1
		6	320	1
		7	165A	1
		8	145	1
413T1128-14		2	142	1
		3	166	1
		5	120H	1
		5	125E	1
		5	187	1
		6	360	1
		7	115	1
		8	210	1
413T1128-15		2	216	1
		3	236	1
		5	177	1
		5	235C	1
		5	240D	1
		6	355	1
		7	205	1
		8	200	1
413T1128-16		2	176	1
		3	201	1
		5	170C	1
		5	175C	1
		5	242	1
		6	380	1
		7	155A	1
		8	265	1
413T1128-17		5	127J	1
		5	180A	1
		5	185J	1
413T1128-18		5	120A	1
		5	125M	1
		5	187E	1
413T1128-19		5	177B	1
		5	235A	1
		5	240A	1
413T1128-20		5	170A	1
		5	175A	1
		5	242C	1

25-28-42

 ILLUSTRATED PARTS LIST
 01.1 Page 1044
 Mar 01/98


BOEING
 COMPONENT
 MAINTENANCE MANUAL

PART NUMBER	AIRLINE PART NO.	FIG.	ITEM	TTL REQ		
413T1128-21		5	127E	1		
		5	180B	1		
		5	185A	1		
413T1128-22		5	120B	1		
		5	125A	1		
		5	187H	1		
		5	177A	1		
		5	235B	1		
413T1128-23		5	240C	1		
		6	275A	2		
		6	355A	1		
		8	200A	1		
		8	260A	2		
		9	270	2		
		10	180	3		
		413T1128-24		5	170B	1
				5	175B	1
				5	242A	1
6	315A			2		
6	380A			1		
8	195A			2		
8	265A			1		
9	290			2		
9	330			1		
9	370			1		
413T1128-25		10	175	3		
		5	127A	1		
		5	180C	1		
		5	185B	1		
		6	255A	2		
		6	320A	1		
		8	145A	1		
		8	205A	2		
		9	260	2		
		9	360	1		
		10	155	3		

25-28-42

ILLUSTRATED PARTS LIST

01.1

Page 1045

Mar 01/98

PART NUMBER	AIRLINE PART NO.	FIG.	ITEM	TTL REQ
413T1128-26		5	120C	1
		5	125B	1
		5	187A	1
		6	280A	2
		6	360A	1
		8	140A	2
		8	210A	1
		9	280	2
		9	320	1
		10	150	3
413T1128-7		1	215A	2
		1	220A	1
		2	180A	2
		3	205A	2
		4	145A	2
		5	127C	1
		5	180	1
		5	185	1
		6	255	2
		7	160A	2
413T1128-8		8	205	2
		1	150A	2
		1	155A	1
		2	140A	2
		3	165A	2
		4	105A	2
		5	120	1
		5	125	1
413T1128-8		5	187C	1
		6	280	2
		7	110	2
413T1128-9		8	140	2
		1	270A	2
		1	275A	1
		2	215A	2
		3	235A	2
		4	180A	2
		5	177C	1
		5	235	1
	5	240	1	
	6	275	2	
	7	200	2	
	8	260	2	

25-28-42

 ILLUSTRATED PARTS LIST
 01.1 Page 1046
 Mar 01/98


BOEING
 COMPONENT
 MAINTENANCE MANUAL

PART NUMBER	AIRLINE PART NO.	FIG.	ITEM	TTL REQ
413T1160-1		5	282	1
413T1160-2		5	283	1
413T2072-1		5	98	1
413T2072-3		5	99	1
413T2072-4		5	101	1
		6	234	1
		8	115	1
		9	210	1
		10	120	1
413T2072-5		5	97	2
		8	95	2
		8	95J	1
		8	110	2
		9	170	1
		9	415	2
		10	100	2
		10	115	2
413T2072-6		5	96	2
		6	233	2
		8	105	2
		9	215	2
		10	110	2
413T2072-7		5	103A	1
501-0404-008		1	115	4
		2	80	2
		2	100	2
		3	80	2
		3	100	2
		4	80	4
		5	70	4
		6	85	4

25-28-42

ILLUSTRATED PARTS LIST

01.1 Page 1047

Mar 01/98

PART NUMBER	AIRLINE PART NO.	FIG.	ITEM	TTL REQ		
501-0404-008		7	70	4		
		8	70	4		
		9	75	4		
		10	70	4		
501230-19		1	295F	1		
		2	235B	1		
		3	255B	1		
		5	260B	1		
		6	400	1		
		8	285	1		
		9	395	1		
		10	225	1		
		501230-20		1	295G	1
				4	200B	1
5	260			1		
501230-21		1	295H	1		
		5	260C	1		
501230-6		1	295B	1		
		2	235	1		
		3	255	1		
		5	260K	1		
		6	400A	1		
		8	285A	1		
		9	395A	1		
		10	225A	1		
		501230-7		1	295	1
				4	200	1
5	260A			1		
501230-8		1	295A	1		
		5	260D	1		
502230-2		1	295M	1		
502230-3		5	260L	1		
		1	295S	1		
		5	260J	1		
82-99-341-26		6	125	4		
		9	100	4		

25-28-42

 ILLUSTRATED PARTS LIST
 01.1 Page 1048
 Mar 01/98


BOEING
 COMPONENT
 MAINTENANCE MANUAL

PART NUMBER	AIRLINE PART NO.	FIG.	ITEM	TTL REQ
82-99-342-15		3	310	4
		6	155	4
		7	285	4
		9	135	4
96-02		1	180	2
		1	245	2
		1	305A	4
		2	160	2
		2	200	2
		2	255	4
		3	185	2
		3	220	2
		3	275	4
		4	125	2
		4	165	2
		4	210	4
		5	150	2
		5	210	2
		5	270	4
		6	340	2
		6	368	2
		6	415	4
		7	135	2
		7	185	2
		7	245A	4
		8	295A	4
		9	305	2
		9	345	2
		9	377	4
		10	240	4

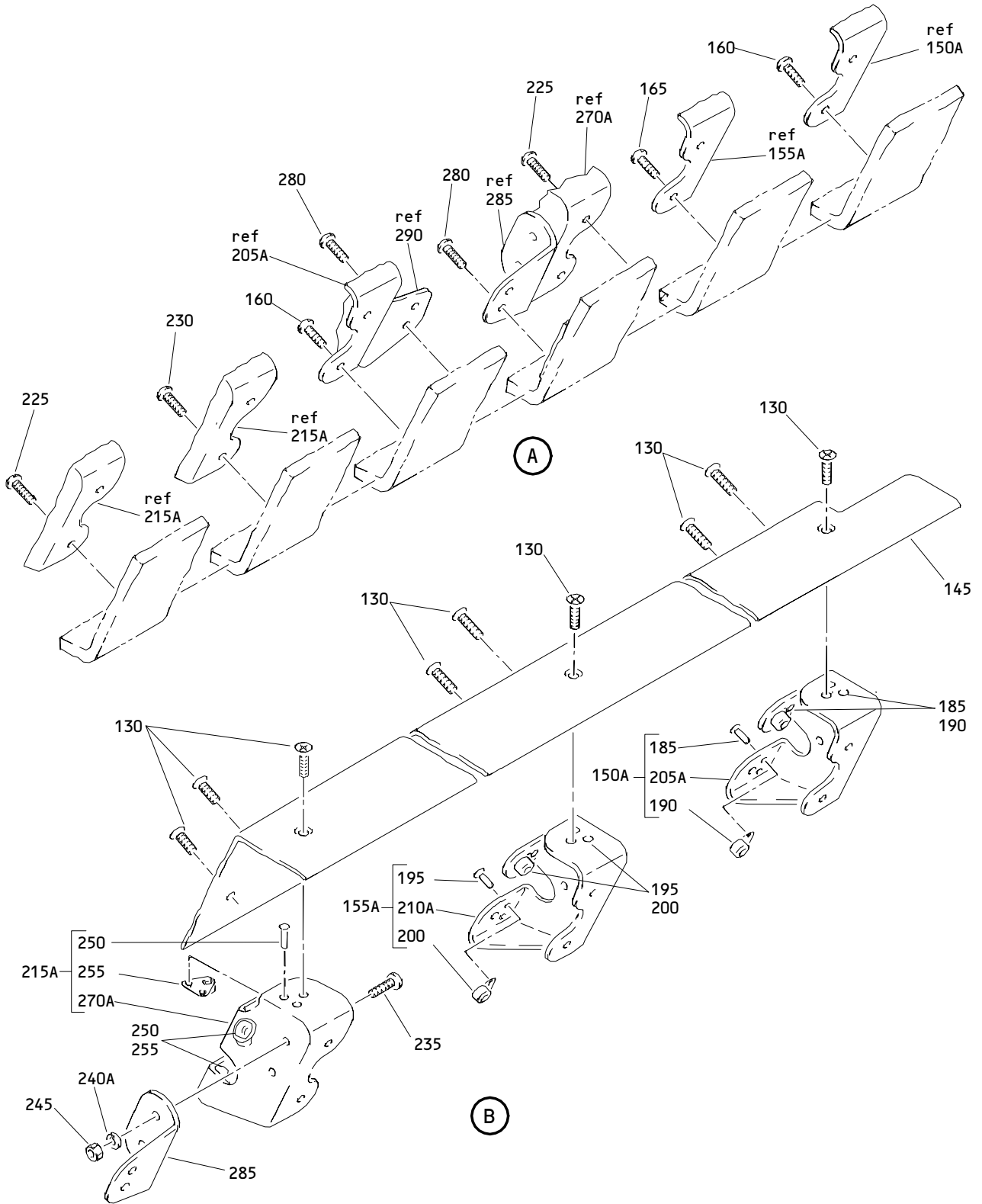
25-28-42

ILLUSTRATED PARTS LIST

01.1

Page 1049

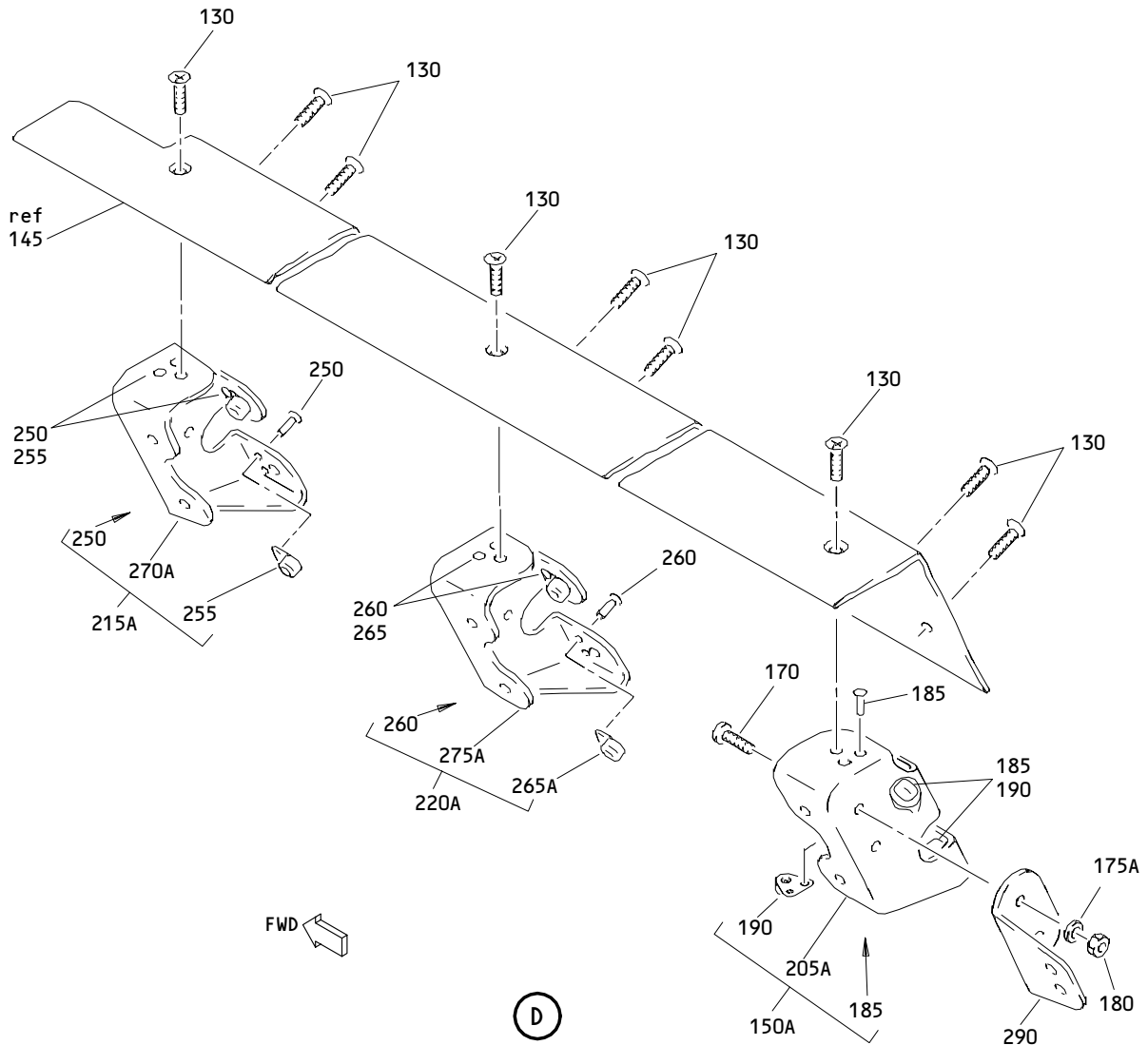
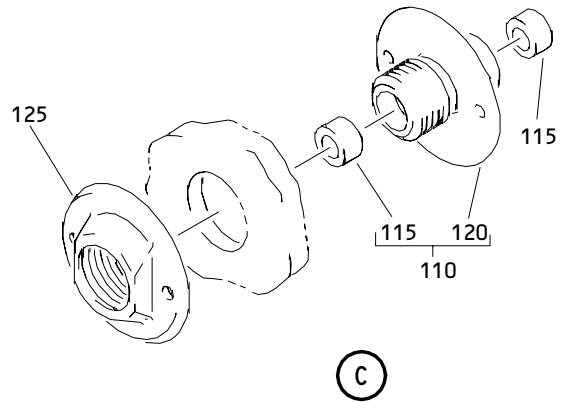
Mar 01/98



Center Overhead Stowage Bin Assembly
 Figure 1 (Sheet 2)

25-28-42

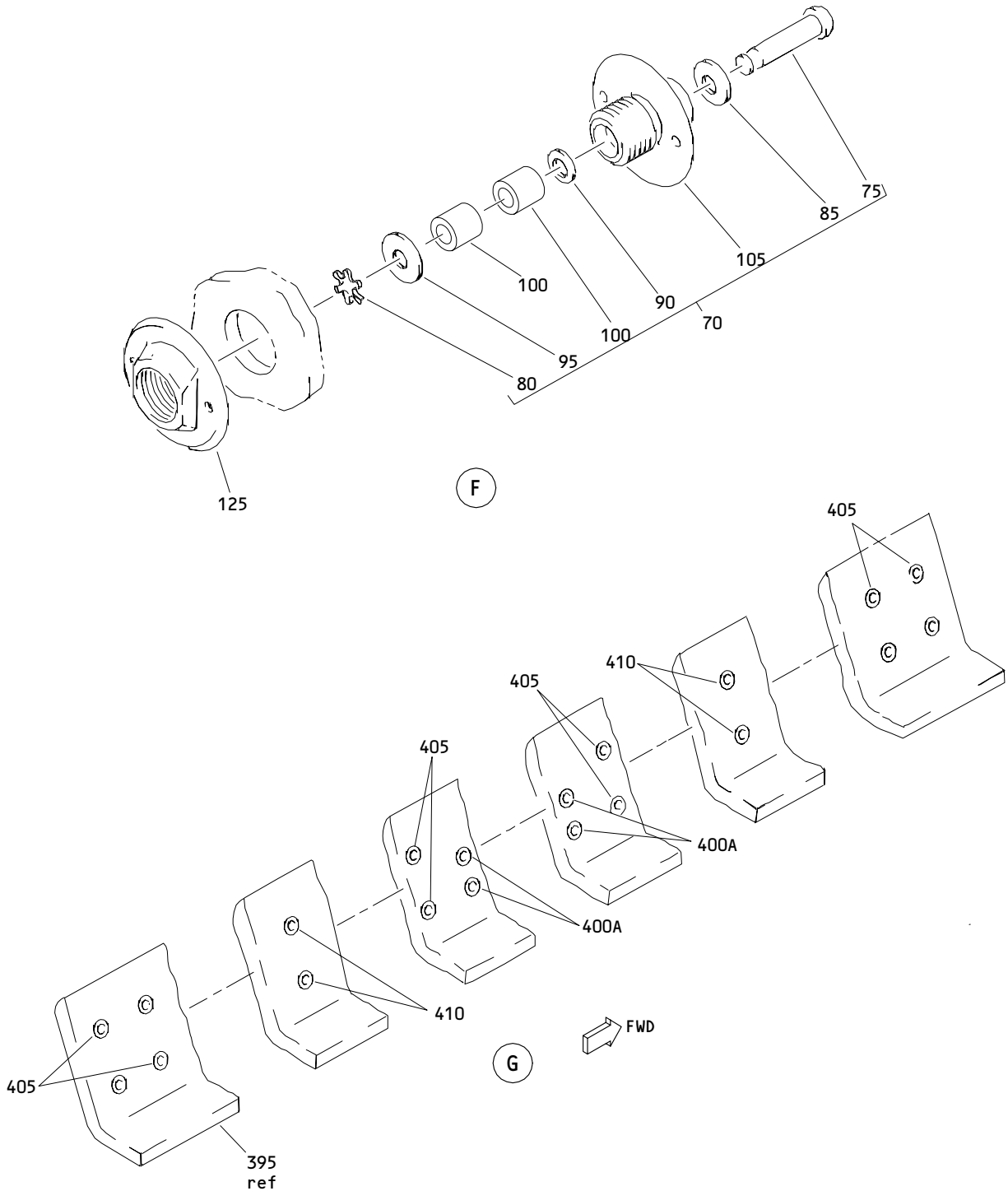
ILLUSTRATED PARTS LIST
 01.1 Page 1051
 Mar 01/98



Center Overhead Stowage Bin Assembly
 Figure 1 (Sheet 3)

25-28-42

ILLUSTRATED PARTS LIST
 01.1 Page 1052
 Mar 01/98



Center Overhead Stowage Bin Assembly
 Figure 1 (Sheet 5)

25-28-42

ILLUSTRATED PARTS LIST
 01.1 Page 1054
 Mar 01/98


BOEING
 COMPONENT
 MAINTENANCE MANUAL

FIG. & ITEM	PART NO.	AIRLINE PART NUMBER	NOMENCLATURE 1234567	EFF CODE	QTY PER ASSY
01- -1	413T1047-23SP		BIN ASSY-CTR OVERHEAD STOWAGE (LH)	A	RF
-1A	413T1047-25SP		BIN ASSY-CTR OVERHEAD STOWAGE (LH)	B	RF
-1B	413T1047-27SP		BIN ASSY-CTR OVERHEAD STOWAGE (LH)	C	RF
-1C	413T1047-29SP		BIN ASSY-CTR OVERHEAD STOWAGE (LH)	D	RF
-1D	413T1047-31SP		BIN ASSY-CTR OVERHEAD STOWAGE (LH) (FOR DETAILS SEE FIG. 2)	E	RF
-1E	413T1047-33SP		BIN ASSY-CTR OVERHEAD STOWAGE (LH) (FOR DETAILS SEE FIG. 3)	F	RF
-1F	413T1047-35SP		BIN ASSY-CTR OVERHEAD STOWAGE (FOR DETAILS SEE FIG. 4)	N	RF
-1G	413T1047-37SP		BIN ASSY-CTR OVERHEAD STOWAGE (LH) (FOR DETAILS SEE FIG. 3)	P	RF
-1H	413T1047-43SP		BIN ASSY-CTR OVERHEAD STOWAGE (LH)	R	RF
-1J	413T1047-41SP		BIN ASSY-CTR OVERHEAD STOWAGE (LH)	T	RF
-1K	413T1047-39SP		BIN ASSY-CTR OVERHEAD STOWAGE (LH)	V	RF
-1L	413T1047-45SP		BIN ASSY-CTR OVERHEAD STOWAGE (LH)	X	RF
-1M	413T1047-47SP		BIN ASSY-CTR OVERHEAD STOWAGE (LH) (PRE SB 25-102)	Y	RF
-1N	413T1047-49SP		BIN ASSY-CTR OVERHEAD STOWAGE (LH)	Z	RF
-1P	413T1047-51SP		BIN ASSY-CTR OVERHEAD STOWAGE (LH)	AD	RF
-1Q	413T1047-53SP		BIN ASSY-CTR OVERHEAD STOWAGE (LH) (FOR DETAILS SEE FIG. 3)	AE	RF
-1R	413T1047-55SP		BIN ASSY-CTR OVERHEAD STOWAGE (LH) (FOR DETAILS SEE FIG. 2)	AF	RF
-1S	413T1047-57SP		BIN ASSY-CTR OVERHEAD STOWAGE (LH)	AK	RF
-1T	413T1047-59SP		BIN ASSY-CTR OVERHEAD STOWAGE (LH)	AM	RF

25-28-42

 ILLUSTRATED PARTS LIST
 01.1 Page 1055
 Mar 01/98

FIG. & ITEM	PART NO.	AIRLINE PART NUMBER	NOMENCLATURE 1234567	EFF CODE	QTY PER ASSY
01-					
-1U	413T1047-61SP		BIN ASSY-CTR OVERHEAD STOWAGE (LH)	AN	RF
-1V	413T1047-63SP		BIN ASSY-CTR OVERHEAD STOWAGE (LH) (FOR DETAILS SEE FIG. 2)	AP	RF
-1W	413T1047-65SP		BIN ASSY-CTR OVERHEAD STOWAGE (LH) (FOR DETAILS SEE FIG. 3)	AQ	RF
-1X	413T1047-67SP		BIN ASSY-CTR OVERHEAD STOWAGE (LH)	AR	RF
-1Y	413T1047-75SP		BIN ASSY-CTR OVERHEAD STOWAGE (LH)	AX	RF
-1Z	413T1047-77SP		BIN ASSY-CTR OVERHEAD STOWAGE (LH)	AY	RF
-2	413T1047-79SP		BIN ASSY-CTR OVERHEAD STOWAGE (LH)	AZ	RF
-2A	413T1047-81SP		BIN ASSY-CTR OVERHEAD STOWAGE (LH) (POST SB 25-102)	BD	RF
-2B	413T1047-89SP		BIN ASSY-CTR OVERHEAD STOWAGE (LH)	BG	RF
-2C	413T1047-91SP		BIN ASSY-CTR OVERHEAD STOWAGE (LH)	BJ	RF
-2D	413T1047-93SP		BIN ASSY-CTR OVERHEAD STOWAGE (LH)	BL	RF
-2E	417T1047-95SP		DELETED		
-2F	413T1047-127SP		BIN ASSY-CTR OVERHEAD STOWAGE (LH)	BQ	RF
-2G	413T1047-110SP		BIN ASSY-CTR OVERHEAD STOWAGE (FOR DETAILS SEE FIG.5)	BS	RF
-2H	413T1047-111SP		BIN ASSY-CTR OVERHEAD STOWAGE (FOR DETAILS SEE FIG. 5)	BT	RF
-2J	413T1047-112SP		BIN ASSY-CTR OVERHEAD STOWAGE (FOR DETAILS SEE FIG. 6)	BU	RF
-2K	413T1047-113SP		BIN ASSY-CTR OVERHEAD STOWAGE (LH) (FOR DETAILS SEE FIG. 6)	BV	RF
-2L	413T1047-115SP		BIN ASSY-CTR OVERHEAD STOWAGE (FOR DETAILS SEE FIG. 5)	BX	RF

25-28-42

 ILLUSTRATED PARTS LIST
 01.1 Page 1056
 Mar 01/98


BOEING
 COMPONENT
 MAINTENANCE MANUAL

FIG. & ITEM	PART NO.	AIRLINE PART NUMBER	NOMENCLATURE 1234567	EFF CODE	QTY PER ASSY
01- -2M	413T1047-116SP		BIN ASSY-CTR OVERHEAD STOWAGE (FOR DETAILS SEE FIG. 5)	BY	RF
-2N	413T1047-133SP		BIN ASSY-CTR OVERHEAD STOWAGE (FOR DETAILS SEE FIG. 5)	BZ	RF
-2P	413T1047-134SP		DELETED		
-2Q	413T1047-136SP		BIN ASSY-CTR OVERHEAD STOWAGE (FOR DETAILS SEE FIG. 5)	CB	RF
-2R	413T1047-100SP		BIN ASSY-CTR OVERHEAD STOWAGE (LH) (FOR DETAILS SEE FIG. 6)	CD	RF
-2S	413T1047-102SP		BIN ASSY-CTR OVERHEAD STOWAGE (FOR DETAILS SEE FIG. 5)	CF	RF
-2T	413T1047-104SP		BIN ASSY-CTR OVERHEAD STOWAGE (FOR DETAILS SEE FIG. 5)	CG	RF
-2U	413T1047-105SP		BIN ASSY-CTR OVERHEAD STOWAGE (FOR DETAILS SEE FIG. 5)	CH	RF
-2V	413T1047-106SP		BIN ASSY-CTR OVERHEAD STOWAGE (FOR DETAILS SEE FIG. 5)	CJ	RF
-2W	413T1047-107SP		DELETED		
-2X	413T1047-118SP		BIN ASSY-CTR OVERHEAD STOWAGE (FOR DETAILS SEE FIG. 5)	CL	RF
-2Y	413T1047-119SP		BIN ASSY-CTR OVERHEAD STOWAGE (FOR DETAILS SEE FIG. 5)	CM	RF
-2Z	413T1047-120SP		BIN ASSY-CTR OVERHEAD STOWAGE (FOR DETAILS SEE FIG. 5)	CN	RF
-3	413T1047-95SP		BIN ASSY-CTR OVERHEAD STOWAGE (LH)	BM	RF
-3A	413T1047-123SP		BIN ASSY-CTR OVERHEAD STOWAGE (FOR DETAILS SEE FIG. 5)	CP	RF
-3B	413T1047-83SP		BIN ASSY-CTR OVERHEAD STOWAGE (LH)	CQ	RF
-3C	413T1047-85SP		BIN ASSY-CTR OVERHEAD STOWAGE (LH)	CS	RF

25-28-42

 ILLUSTRATED PARTS LIST
 01.1 Page 1057
 Mar 01/98

FIG. & ITEM	PART NO.	AIRLINE PART NUMBER	NOMENCLATURE 1234567	EFF CODE	QTY PER ASSY
01- -3D	413T1047-98SP		BIN ASSY-CTR OVERHEAD STOWAGE (FOR DETAILS SEE FIG. 5)	CU	RF
-3E	413T1047-140SP		BIN ASSY-CTR OVERHEAD STOWAGE (FOR DETAILS SEE FIG. 5)	CV	RF
-3F	413T1047-141SP		BIN ASSY-CTR OVERHEAD STOWAGE (FOR DETAILS SEE FIG. 8)	CW	RF
-3G	413T1047-87SP		BIN ASSY-CTR OVERHEAD STOWAGE (LH)	CX	RF
-3H	413T1047-97SP		BIN ASSY-CTR OVERHEAD STOWAGE (FOR DETAILS SEE FIG. 5)	CY	RF
-3J	413T1047-99SP		BIN ASSY-CTR OVERHEAD STOWAGE (FOR DETAILS SEE FIG. 6)	CZ	RF
-3K	413T1047-122SP		BIN ASSY-CTR OVERHEAD STOWAGE (FOR DETAILS SEE FIG. 5)	DA	RF
-3L	413T1047-142SP		BIN ASSY-CTR OVERHEAD STOWAGE (FOR DETAILS SEE FIG. 5)	DB	RF
-3M	413T1047-143SP		BIN ASSY-CTR OVERHEAD STOWAGE (FOR DETAILS SEE FIG. 5)	DC	RF
-3N	413T1047-144SP		BIN ASSY-CTR OVERHEAD STOWAGE (FOR DETAILS SEE FIG. 5)	DD	RF
-3P	413T1047-145SP		BIN ASSY-CTR OVERHEAD STOWAGE (LH) (FOR DETAILS SEE FIG. 5)	DE	RF
-3Q	413T1047-117SP		BIN ASSY-CTR OVERHEAD STOWAGE (FOR DETAILS SEE FIG. 5)	CK	RF
3R	413T1047-149SP		DELETED		
-3S	413T1047-150SP		DELETED		
-3T	413T1047-151SP		BIN ASSY-CTR OVERHEAD STOWAGE (FOR DETAILS SEE FIG. 5)	DJ	RF
-3U	413T1047-152SP		BIN ASSY-CTR OVERHEAD STOWAGE (FOR DETAILS SEE FIG. 5)	DK	RF

25-28-42

 ILLUSTRATED PARTS LIST
 01.1 Page 1058
 Mar 01/98


BOEING
 COMPONENT
 MAINTENANCE MANUAL

FIG. & ITEM	PART NO.	AIRLINE PART NUMBER	NOMENCLATURE 1234567	EFF CODE	QTY PER ASSY
01- -3V	413T1047-153SP		BIN ASSY-CTR OVERHEAD STOWAGE (FOR DETAILS SEE FIG. 5)	DL	RF
-3W	413T1047-157SP		BIN ASSY-CTR OVERHEAD STOWAGE (LH) (FOR DETAILS SEE FIG. 9)	DM	RF
-3X	413T1047-159SP		BIN ASSY-CTR OVERHEAD STOWAGE (LH) (FOR DETAILS SEE FIG. 8)	DP	RF
-3Y	413T1047-161SP		BIN ASSY-CTR OVERHEAD STOWAGE (LH) (FOR DETAILS SEE FIG. 8)	DQ	RF
-3Z	413T1047-164SP		BIN ASSY-CTR OVERHEAD STOWAGE (FOR DETAILS SEE FIG. 5)	DS	RF
-4	413T1047-165SP		BIN ASSY-CTR OVERHEAD STOWAGE (FOR DETAILS SEE FIG. 5)	DT	RF
-4A	413T1047-103SP		BIN ASSY-CTR OVERHEAD STOWAGE (FOR DETAILS SEE FIG. 5)	DU	RF
-5	413T1047-24SP		BIN ASSY-CTR OVERHEAD STOWAGE (RH)	G	RF
-5A	413T1047-26SP		BIN ASSY-CTR OVERHEAD STOWAGE (RH)	H	RF
-5B	413T1047-28SP		BIN ASSY-CTR OVERHEAD STOWAGE (RH)	J	RF
-5C	413T1047-30SP		BIN ASSY-CTR OVERHEAD STOWAGE (RH) (FOR DETAILS SEE FIG. 2)	K	RF
-5D	413T1047-32SP		BIN ASSY-CTR OVERHEAD STOWAGE (RH) (FOR DETAILS SEE FIG. 3)	L	RF
-5E	413T1047-34SP		BIN ASSY-CTR OVERHEAD STOWAGE (RH)	M	RF
-5F	413T1047-38SP		BIN ASSY-CTR OVERHEAD STOWAGE (RH) (FOR DETAILS SEE FIG. 3)	Q	RF
-5G	413T1047-44SP		BIN ASSY-CTR OVERHEAD STOWAGE (RH)	S	RF
-5H	413T1047-42SP		BIN ASSY-CTR OVERHEAD STOWAGE (RH)	U	RF
-5J	413T1047-40SP		BIN ASSY-CTR OVERHEAD STOWAGE (RH)	W	RF

25-28-42

ILLUSTRATED PARTS LIST

01.1

Page 1059

Mar 01/98

FIG. & ITEM	PART NO.	AIRLINE PART NUMBER	NOMENCLATURE 1234567	EFF CODE	QTY PER ASSY
01- -5K	413T1047-46SP		BIN ASSY-CTR OVERHEAD STOWAGE (RH)	AA	RF
-5L	413T1047-48SP		BIN ASSY-CTR OVERHEAD STOWAGE (RH) (PRE SB 25-102)	AB	RF
-5M	413T1047-50SP		BIN ASSY-CTR OVERHEAD STOWAGE (RH)	AC	RF
-5N	413T1047-52SP		BIN ASSY-CTR OVERHEAD STOWAGE (RH)	AG	RF
-5P	413T1047-54SP		BIN ASSY-CTR OVERHEAD STOWAGE (RH) (FOR DETAILS SEE FIG. 3)	AH	RF
-5Q	413T1047-56SP		BIN ASSY-CTR OVERHEAD STOWAGE (RH) (FOR DETAILS SEE FIG. 2)	AJ	RF
-5R	413T1047-58SP		BIN ASSY-CTR OVERHEAD STOWAGE (RH)	AL	RF
-5T	413T1047-60SP		BIN ASSY-CTR OVERHEAD STOWAGE (RH)	AS	RF
-5U	413T1047-62SP		BIN ASSY-CTR OVERHEAD STOWAGE (RH)	AT	RF
-5V	413T1047-64SP		BIN ASSY-CTR OVERHEAD STOWAGE (RH) (FOR DETAILS SEE FIG. 2)	AU	RF
-5W	413T1047-66SP		BIN ASSY-CTR OVERHEAD STOWAGE (RH) (FOR DETAILS SEE FIG. 3)	AV	RF
-5X	413T1047-68SP		BIN ASSY-CTR OVERHEAD STOWAGE (RH)	AW	RF
-5Y	413T1047-76SP		BIN ASSY-CTR OVERHEAD STOWAGE (RH)	BA	RF
-5Z	413T1047-78SP		BIN ASSY-CTR OVERHEAD STOWAGE (RH)	BB	RF
-6	413T1047-80SP		BIN ASSY-CTR OVERHEAD STOWAGE (RH)	BC	RF
-6A	413T1047-82SP		BIN ASSY-CTR OVERHEAD STOWAGE (RH) (POST SB 25-102)	BE	RF
-6B	413T1047-88SP		BIN ASSY-CTR OVERHEAD STOWAGE (RH)	BF	RF
-6C	413T1047-90SP		BIN ASSY-CTR OVERHEAD STOWAGE (RH)	BH	RF
-6D	413T1047-92SP		BIN ASSY-CTR OVERHEAD STOWAGE (RH)	BK	RF

25-28-42

 ILLUSTRATED PARTS LIST
 01.1 Page 1060
 Mar 01/98


BOEING
 COMPONENT
 MAINTENANCE MANUAL

FIG. & ITEM	PART NO.	AIRLINE PART NUMBER	NOMENCLATURE 1234567	EFF CODE	QTY PER ASSY
01- -6E	413T1047-94SP		BIN ASSY-CTR OVERHEAD STOWAGE (RH)	BN	RF
-6F	413T1047-96SP		BIN ASSY-CTR OVERHEAD STOWAGE (RH)	BP	RF
-6G	413T1047-128SP		BIN ASSY-CTR OVERHEAD STOWAGE (RH)	BR	RF
-6H	413T1047-114SP		BIN ASSY-CTR OVERHEAD STOWAGE (RH)	BW	RF
-6J	413T1047-129SP		(FOR DETAILS SEE FIG. 6) BIN ASSY-CTR OVERHEAD STOWAGE	CC	RF
-6K	413T1047-101SP		(FOR DETAILS SEE FIG. 7) BIN ASSY-CTR OVERHEAD STOWAGE (RH)	CE	RF
-6L	413T1047-84SP		(FOR DETAILS SEE FIG. 6) BIN ASSY-CTR OVERHEAD STOWAGE (RH)	CR	RF
-6M	413T1047-86SP		BIN ASSY-CTR OVERHEAD STOWAGE (RH)	CT	RF
-6N	413T1047-146SP		BIN ASSY-CTR OVERHEAD STOWAGE (RH)	DF	RF
-6P	413T1047-158SP		(FOR DETAILS SEE FIG. 5) BIN ASSY-CTR OVERHEAD STOWAGE (RH)	DN	RF
-6Q	413T1047-162SP		(FOR DETAILS SEE FIG. 9) BIN ASSY-CTR OVERHEAD STOWAGE (RH)	DR	RF
-6R	413T1047-147SP		(FOR DETAILS SEE FIG. 9) BIN ASSY-CTR OVERHEAD STOWAGE	DV	RF
-6S	413T1047-166SP		(FOR DETAILS SEE FIG. 5) BIN ASSY-CTR OVERHEAD STOWAGE	DW	RF
-6T	413T1047-167SP		(FOR DETAILS SEE FIG. 5) BIN ASSY-CTR OVERHEAD STOWAGE	DX	RF
-6U	413T1047-168SP		(FOR DETAILS SEE FIG. 8) BIN ASSY-CTR OVERHEAD STOWAGE	DY	RF
-6V	413T1047-169SP		(FOR DETAILS SEE FIG. 8) BIN ASSY-CTR OVERHEAD STOWAGE	DZ	RF

25-28-42

 ILLUSTRATED PARTS LIST
 01.1 Page 1061
 Mar 01/98

FIG. & ITEM	PART NO.	AIRLINE PART NUMBER	NOMENCLATURE 1234567	EFF CODE	QTY PER ASSY
01- -6W	413T1047-170SP		BIN ASSY-CTR OVERHEAD STOWAGE (FOR DETAILS SEE FIG. 8)	EA	RF
-6X	413T1047-172SP		BIN ASSY-CTR OVERHEAD STOWAGE (FOR DETAILS SEE FIG. 10)	EB	RF
-6Y	413T1047-173SP		BIN ASSY-CTR OVERHEAD STOWAGE, 44 IN. WITH EMER EQPT PROVISIONS (FOR DETAILS SEE FIG. 8)	CA	RF
-6Z	413T1047-174SP		BIN ASSY-CTR OVERHEAD STOWAGE, 44 IN. WITH EMER EQPT PROVISIONS (FOR DETAILS SEE FIG. 8)	DH	RF
-7	413T1047-175SP		BIN ASSY-CTR OVERHEAD STOWAGE, 44 IN. WITH EMER EQPT PROVISIONS (FOR DETAILS SEE FIG. 5)	EC	RF
R -7A	413T1047-176SP		BIN ASSY-CTR OVERHEAD STOWAGE, 44 IN. WITH EMER EQPT PROVISIONS (FOR DETAILS SEE FIG. 8)	DG	RF
R -7B	413T1047-177SP		BIN ASSY-CTR OVERHEAD STOWAGE, 44 IN. WITH EMER EQPT PROVISIONS (FOR DETAILS SEE FIG. 8)	ED	RF
45	413T1042-24		.RESTRAINT ASSY	A-C, F-J,M ,R-AD ,AG,A K-AN AR-AT ,AW-B R,C Q-CT, CX	1
			ATTACHING PARTS		

25-28-42

 ILLUSTRATED PARTS LIST
 01.1 Page 1062
 Mar 01/98

BOEING
 COMPONENT
 MAINTENANCE MANUAL

FIG. & ITEM	PART NO.	AIRLINE PART NUMBER	NOMENCLATURE	EFF CODE	QTY PER ASSY
01-50	BACS12FA3K3		1234567 . SCREW	A-C, F-J,M ,R-AD ,AG,A K-AN AR-AT ,AW-B R,C Q-CT, CX	6
60	413T1042-41		-----*----- .. RUBBER	A-C, F-J,M ,R-AD ,AG,A K-AN AR-AT ,AW-B R,C Q-CT, CX	1
65	413T1042-25		.. TEE	A-C, F-J,M ,R-AD ,AG,A K-AN AR-AT ,AW-B R,C Q-CT, CX	1

25-28-42

FIG. & ITEM	PART NO.	AIRLINE PART NUMBER	NOMENCLATURE 1234567	EFF CODE	QTY PER ASSY
01-70	413T1036-41		.BOSS ASSY	A-C, F-J,M ,R-AD ,AG,A K-AN AR-AT ,AW-B R,C Q-CT, CX	2
75	CA18271-9		..PIN- (V26390)	A-C, F-J,M ,R-AD ,AG,A K-AN AR-AT ,AW-B R,C Q-CT, CX	1
80	CA1825		..WASHER-RETAINING (V26390)	A-C, F-J,M ,R-AD ,AG,A K-AN AR-AT ,AW-B R,C Q-CT, CX	1

25-28-42

 ILLUSTRATED PARTS LIST
 01.1 Page 1064
 Mar 01/98


BOEING
 COMPONENT
 MAINTENANCE MANUAL

FIG. & ITEM	PART NO.	AIRLINE PART NUMBER	NOMENCLATURE 1234567	EFF CODE	QTY PER ASSY
01-85	413T1060-6		..WASHER	A-C, F-J,M ,R-AD ,AG,A K-AN AR-AT ,AW-B R,C Q-CT, CX	1
90	413T1060-7		..WASHER	A-C, F-J,M ,R-AD ,AG,A K-AN AR-AT ,AW-B R,C Q-CT, CX	1
95	413T1060-5		..WASHER	A-C, F-J,M ,R-AD ,AG,A K-AN AR-AT ,AW-B R,C Q-CT, CX	1
100	Y47		..BEARING-NEEDLE (V60380)	A-C, F-J,M ,R-AD ,AG,A K-AN AR-AT ,AW-B P,C Q-CT, CX	2

25-28-42

ILLUSTRATED PARTS LIST

01.1

Page 1065

Mar 01/98

FIG. & ITEM	PART NO.	AIRLINE PART NUMBER	NOMENCLATURE 1234567	EFF CODE	QTY PER ASSY
01-105	413T1036-43		..BOSS-UPR PIVOT (MALE)	A-C, F-J,M R-AD AG,A K-AN AR-AT AW-B R,C Q-CT, CX	1
110	413T1036-42		.BOSS ASSY	A-C, F-J,M R-AD AG,A K-AN AR-AT AW-B R,C Q-CT, CX	2
115	501-0404-008		..BUSHING- (V77896)	A-C, F-J,M R-AD AG,A K-AN AR-AT AW-B R,C Q-CT, CX	2

25-28-42

 ILLUSTRATED PARTS LIST
 01.1 Page 1066
 Mar 01/98


BOEING
 COMPONENT
 MAINTENANCE MANUAL

FIG. & ITEM	PART NO.	AIRLINE PART NUMBER	NOMENCLATURE 1234567	EFF CODE	QTY PER ASSY
01-120	413T1036-44		..BOSS-LWR PIVOT (MALE)	A-C, F-J,M ,R-AD ,AG,A K-AN AR-AT ,AW-B R,C Q-CT, CX	1
125	413T1036-12		.BOSS-PIVOT (FEMALE)	A-C, F-J,M ,R-AD ,AG,A K-AN AR-AT ,AW-B R,C Q-CT, CX	4
130	NAS514P1032-6		.SCREW	A-C, F-J,M ,R-AD ,AG,A K-AN AR-AT ,AW-B R,C Q-CT, CX	18
135 145	NAS514P1032-6 413T1042-265		DELETED .THRESHOLD	A,G,X ,Z,AA ,AC,A M,AS, AX,BA BL,BN ,BQ,B R,CS, CT	1

25-28-42

ILLUSTRATED PARTS LIST

01.1

Page 1067

Mar 01/98

FIG. & ITEM	PART NO.	AIRLINE PART NUMBER	NOMENCLATURE 1234567	EFF CODE	QTY PER ASSY
01-					
-145A	413T1042-266		DELETED		
-145B	413T1042-269		. THRESHOLD	C, J, M , Y, AB , AN, A T, AY, BB BD-BF , CX B, H, R , S T-W, A D, AG, AR, AW , AZ, B C CQ, CR AK, AL , BG-B K, BM, BP	1
-145C	413T1042-438		. THRESHOLD		1
-145D	413T1042-638		. THRESHOLD		1
-145E	413T1042-1032		. THRESHOLD		1
149	413T1128-8		DELETED		
150	413T1128-2		DELETED		
150A	413T1128-8		. SUPPORT ASSY	A-C, F-J, M , R-AD , AG, A K-AN AR-AT , AW-B R, C Q-CT, CX	2

25-28-42

ILLUSTRATED PARTS LIST

01.1 Page 1068

Mar 01/98

BOEING
 COMPONENT
 MAINTENANCE MANUAL

FIG. & ITEM	PART NO.	AIRLINE PART NUMBER	NOMENCLATURE	EFF CODE	QTY PER ASSY
01- 155 155A	413T1128-2 413T1128-8		1234567 DELETED .SUPPORT ASSY	B,C,F ,H,J, M,R-W ,Y,AB ,AD AG,AK ,AL,A N,AR, AT,AW ,AY AZ,B B-BK, BM,BP ,CQ,C R,CX	1
160	BACS12FA3K4		ATTACHING PARTS .SCREW	A-C, F-J,M ,R-AD ,AG,A K-AN AR-AT ,AW-B R,C Q-CT	4
165	BACS12FA3K4		.SCREW	B,C,F ,H,J, M,R-W ,Y,AB ,AD AG,AK ,AL,A N,AR, AT,AW ,AY AZ,B B-BH, BM,BP ,CQ,C R,CX	2

25-28-42

ILLUSTRATED PARTS LIST

01.1

Page 1069

Mar 01/98

FIG. & ITEM	PART NO.	AIRLINE PART NUMBER	NOMENCLATURE 1234567	EFF CODE	QTY PER ASSY
01-170	BACS12FA3K5		.SCREW	A-C, F-J,M ,R-AD ,AG,A K-AN AR-AT ,AW-B R,C Q-CT, CX	2
175 175A	AN960KD10L AN960PD10L		DELETED .WASHER	A-C, F-J,M ,R-AD ,AG,A K-AN AR-AT ,AW-B R,C Q-CT, CX	2
180	H10-3BAC		.NUT- (V15653) (SPEC BACN10JC3) (OPT NS202101-02 (V80539)) (OPT RMLH9075-3W (V72962)) (OPT T6S1032J (V71087)) (OPT VN303A02 (V92215)) (OPT 96-02 (V80539)) (OPT BRH10A3 (V52828)) -----*	A-C, F-J,M ,R-AD ,AG,A K-AN AR-AT ,AW-B R,C Q-CT, CX	2

25-28-42

ILLUSTRATED PARTS LIST

01.1

Page 1070

Mar 01/98


BOEING
 COMPONENT
 MAINTENANCE MANUAL

FIG. & ITEM	PART NO.	AIRLINE PART NUMBER	NOMENCLATURE 1234567	EFF CODE	QTY PER ASSY
01-185	BACR15BA3D		..RIVET (USED WITH ITEM 190) (SIZE DETERMINE ON INST)	A-C, F-J,M ,R-AD ,AG,A K-AN AR-AT ,AW-B R,C Q-CT, CX	6
190	NS103225-02		..NUTPLATE- (V80539) (SPEC BACN10KH3) (OPT RMF9209M3 (V72962)) (OPT F29779-3 (V15653)) (REPLD BY ITEMS 190A, 190B)	A-C, F-J,M ,R-AD ,AG,A K-AN AR-AT ,AW-B R,C Q-CT, CX	3
-190A	A4972-6-02		..NUT- (V72962) (SPEC BACN10FX16) (OPT RM52LHA4972-6-02 (V72962)) (OPT 130069 (V60119)) (OPT A11330-6-3 (V72962)) (REPLS ITEM 190) (OPT ITEM 190B)	A-C, F-J,M ,R-AD ,AG,A K-AN AR-AT ,AW-B R,C Q-CT, CX	3
-190B	SL2113-1		..NUT- (REPLS ITEM 190) (V97393) (OPT ITEM 190A)	A-C, F-J,M ,R-AD ,AG,A K-AN AR-AT ,AW-B R,C Q-CT, CX	3

25-28-42

ILLUSTRATED PARTS LIST

01.1

Page 1071

Mar 01/98

FIG. & ITEM	PART NO.	AIRLINE PART NUMBER	NOMENCLATURE	EFF CODE	QTY PER ASSY
01-195	BACR15BA3D		1234567 ..RIVET (SIZE DETERMINE ON INST) (USED WITH ITEM 200)	B,C,F ,H,J, M,R-W ,Y,AB ,AD AG,AK ,AL,A N,AR, AT,AW ,AY AZ,B B-BK, BM,BP ,CQ,C R,CX	6
200	NS103225-02		..NUTPLATE- (V80539) (SPEC BACN10KH3) (OPT RMF9209M3 (V72962)) (OPT F29779-3 (V15653)) (REPLD BY ITEMS 200A, 200B)	B,C,F ,H,J, M,R-W ,Y,AB ,AD AG,AK ,AL,A N,AR, AT,AW ,AY AZ,B B-BK, BM,BP ,CQ,C R,CX	3

25-28-42

ILLUSTRATED PARTS LIST

01.1

Page 1072

Mar 01/98

BOEING
 COMPONENT
 MAINTENANCE MANUAL

FIG. & ITEM	PART NO.	AIRLINE PART NUMBER	NOMENCLATURE	EFF CODE	QTY PER ASSY
			1234567		
01- -200A	A4972-6-02		..NUT- (V72962) (SPEC BACN10FX16) (OPT RM52LHA4972-6-02 (V72962)) (OPT 130069 (V60119)) (OPT A11330-6-3 (V72962)) (REPLS ITEM 200) (OPT ITEM 200B)	B,C,F ,H,J, M,R-W ,Y,AB ,AD AG,AK ,AL,A N,AR, AT,AW ,AY AZ,B B-BK, BM,BP ,CQ,C R,CX	3
-200B	SL2113-1		..NUT- (REPLS ITEM 200) (V97393) (OPT ITEM 200A)	B,C,F ,H,J, M,R-W ,Y,AB ,AD AG,AK ,AL,A N,AR, AT,AW ,AY AZ,B B-BK, BM,BP ,CQ,C R,CX	3

25-28-42

ILLUSTRATED PARTS LIST

01.1

Page 1073

Mar 01/98

FIG. & ITEM	PART NO.	AIRLINE PART NUMBER	NOMENCLATURE 1234567	EFF CODE	QTY PER ASSY
01- 205 205A	413T1128-4 413T1128-10		DELETED ..SUPPORT	A-C, F-J,M ,R-AD ,AG,A K-AN AR-AT ,AW-B R,C Q-CT, CX	1
210 210A	413T1128-4 413T1128-10		DELETED ..SUPPORT	B,C,F ,H,J, M,R-W ,Y,AB ,AD AG,AK ,AL,A N,AR, AT,AW ,AY AZ,B B-BK, BM,BP ,CQ,C R,CX	1
212 214 215 215A	LHA9829-10-3 413T1128-10 413T1128-1 413T1128-7		DELETED DELETED DELETED .SUPPORT ASSY	A-C, F-J,M ,R-AD ,AG,A K-AN AR-AT ,AW-B R,C Q-CT, CX	2

25-28-42

ILLUSTRATED PARTS LIST

01.1 Page 1074

Mar 01/98

BOEING
 COMPONENT
 MAINTENANCE MANUAL

FIG. & ITEM	PART NO.	AIRLINE PART NUMBER	NOMENCLATURE	EFF CODE	QTY PER ASSY
01- 217 220 220A	413T1128-7 413T1128-1 413T1128-7		1234567 DELETED DELETED .SUPPORT ASSY	B,C,F ,H,J, M,R-W ,Y,AB ,AD AG,AK ,AL,A N,AR, AT,AW ,AY AZ,B B-BK, BM,BP ,CQ,C R,CX	1
225	BACS12FA3K4		ATTACHING PARTS .SCREW	A-C, F-J,M ,R-AD ,AG,A K-AN AR-AT ,AW-B R,C Q-CT, CX	4
230	BACS12FA3K4		.SCREW	B,C,F ,H,J, M,R-W ,Y,AB ,AD AG,AK ,AL,A N,AR, AT,AW ,AY AZ,B B-BK, BM,BP ,CQ,C R,CX	2

25-28-42

ILLUSTRATED PARTS LIST
 01.1 Page 1075
 Mar 01/98

FIG. & ITEM	PART NO.	AIRLINE PART NUMBER	NOMENCLATURE 1234567	EFF CODE	QTY PER ASSY
01-235	BACS12FA3K5		.SCREW	A-C, F-J,M ,R-AD ,AG,A K-AN AR-AT ,AW-B R,C Q-CT, CX	2
240 240A	AN960KD10L AN960PD10L		DELETED .WASHER	A-C, F-J,M ,R-AD ,AG,A K-AN AR-AT ,AW-B R,C Q-CT, CX	2
245	H10-3BAC		.NUT- (V15653) (SPEC BACN10JC3) (OPT NS202101-02 (V80539)) (OPT RMLH9075-3W (V72962)) (OPT T6S1032J (V71087)) (OPT VN303A02 (V92215)) (OPT 96-02 (V80539)) (OPT BRH10A3 (V52828)) -----*	A-C, F-J,M ,R-AD ,AG,A K-AN AR-AT ,AW-B R,C Q-CT, CX	2

25-28-42

 ILLUSTRATED PARTS LIST
 01.1 Page 1076
 Mar 01/98


BOEING
 COMPONENT
 MAINTENANCE MANUAL

FIG. & ITEM	PART NO.	AIRLINE PART NUMBER	NOMENCLATURE 1234567	EFF CODE	QTY PER ASSY
01-250	BACR15BA3D		..RIVET (SIZE DETERMINE ON INST) (USED WITH ITEM 255)	A-C, F-J,M ,R-AD ,AG,A K-AN AR-AT ,AW-B R,C Q-CT, CX	6
255	NS103225-02		..NUTPLATE- (V80539) (SPEC BACN10KH3) (OPT RMF9209M3 (V72962)) (OPT F29779-3 (V15653)) (REPLD BY ITEMS 255A, 255B)	A-C, F-J,M ,R-AD ,AG,A K-AN AR-AT ,AW-B R,C Q-CT, CX	3
-255A	A4972-6-02		..NUT- (V72962) (SPEC BACN10FX16) (OPT RM52LHA4972-6-02 (V72962)) (OPT 130069 (V60119)) (OPT A11330-6-3 (V72962)) (REPLS ITEM 255) (OPT ITEM 255B)	A-C, F-J,M ,R-AD ,AG,A K-AN AR-AT ,AW-B R,C Q-CT, CX	3
-255B	SL2113-1		..NUT- (REPLS ITEM 255) (V97393) (OPT ITEM 255A)	A-C, F-J,M ,R-AD ,AG,A K-AN AR-AT ,AW-B R,C Q-CT, CX	3

25-28-42

ILLUSTRATED PARTS LIST

01.1

Page 1077

Mar 01/98

FIG. & ITEM	PART NO.	AIRLINE PART NUMBER	NOMENCLATURE	EFF CODE	QTY PER ASSY
01-260	BACR15BA3D		1234567 ..RIVET (SIZE DETERMINE ON INST) (USED WITH ITEM 265)	B,C,F ,H,J, M,R-W ,Y,AB ,AD AG,AK ,AL,A N,AR, AT,AW ,AY AZ,B B-BK, BM,BP ,CQ,C R,CX	6
265	NS103225-02		..NUTPLATE- (V80539) (SPEC BACN10KH3) (OPT RMF9209M3 (V72962)) (OPT F29779-3 (V15653)) (REPLD BY ITEMS 265A, 265B)	B,C,F ,H,J, M,R-W ,Y,AB ,AD AG,AK ,AL,A N,AR, AT,AW ,AY AZ,B B-BK, BM,BP ,CQ,C R,CX	3

25-28-42

ILLUSTRATED PARTS LIST

01.1 Page 1078

Mar 01/98


BOEING
 COMPONENT
 MAINTENANCE MANUAL

FIG. & ITEM	PART NO.	AIRLINE PART NUMBER	NOMENCLATURE	EFF CODE	QTY PER ASSY
			1234567		
01- -265A	A4972-6-02		..NUT- (V72962) (SPEC BACN10FX16) (OPT RM52LHA4972-6-02 (V72962)) (OPT 130069 (V60119)) (OPT A11330-6-3 (V72962)) (REPLS ITEM 265) (OPT ITEM 265B)	B,C,F ,H,J, M,R-W ,Y,AB ,AD AG,AK ,AL,A N,AR, AT,AW ,AY AZ,B B-BK, BM,BP ,CQ,C R,CX	3
-265B	SL2113-11		..NUT- (REPLS ITEM 265) (V97393) (OPT ITEM 265A)	B,C,F ,H,J, M,R-W ,Y,AB ,AD AG,AK ,AL,A N,AR, AT,AW ,AY AZ,B B-BK, BM,BP ,CQ,C R,CX	3
270 270A	413T1128-3 413T1128-9		DELETED ..SUPPORT	A-C, F-J,M ,R-AD ,AG,A K-AN AR-AT ,AW-B R,C Q-CT, CX	1

25-28-42

ILLUSTRATED PARTS LIST

01.1

Page 1079

Mar 01/98

FIG. & ITEM	PART NO.	AIRLINE PART NUMBER	NOMENCLATURE	EFF CODE	QTY PER ASSY
01- 275 275A	413T1128-3 413T1128-9		DELETED . . SUPPORT	B, C, F , H, J, M, R-W , Y, AB , AD AG, AK , AL, A N, AR, AT, AW , AY AZ, B B-BK, BM, BP , CQ, C R, CX	1
277 279 280	LHA9829-10-3 413T1128-9 BACS12FA3K5		DELETED DELETED . SCREW	A-C, F-J, M , R-AD , AG, A K-AN AR-AT , AW-B R, C Q-CT, CX	4
285	413T1042-267		. ANGLE-ATTACH (OPT ITEM 285A)	A-C, F-J, M , R-AD , AG, A M, AN AR-AT , AW-B C	1

25-28-42

 ILLUSTRATED PARTS LIST
 01.1 Page 1080
 Mar 01/98


BOEING
 COMPONENT
 MAINTENANCE MANUAL

FIG. & ITEM	PART NO.	AIRLINE PART NUMBER	NOMENCLATURE 1234567	EFF CODE	QTY PER ASSY
01- -285A	413T1042-771		.ANGLE-ATTACH (OPT ITEM 285)	A-C, F-J,M ,R-AD ,AG,A M,AN AR-AT ,AW-B C	1
-285B	413T1042-771		.ANGLE-ATTACH	AK,AL ,BD-B R,C Q-CT, CX	1
290	413T1042-268		.ANGLE-ATTACH (OPT ITEM 290A)	A-C, F-J,M ,R-AD ,AG,A M,AN AR-AT ,AW-B C	1
-290A	413T1042-772		.ANGLE-ATTACH (OPT ITEM 290)	A-C, F-J,M ,R-AD ,AG,A M,AN AR-AT ,AW-B C	1
-290B	413T1042-772		.ANGLE-ATTACH	AK,AL ,BD-B R,C Q-CT, CX	1

25-28-42

 ILLUSTRATED PARTS LIST
 01.1 Page 1080A
 Mar 01/98

FIG. & ITEM	PART NO.	AIRLINE PART NUMBER	NOMENCLATURE 1234567	EFF CODE	QTY PER ASSY
01-295	501230-7		.LATCH ASSY- (V27045) (SPEC S413T103-7) (OPT ITEM 295G)	A,G,Z ,AC,A M,AS, AX,BA ,BL BNL	1
-295A	501230-8		.LATCH ASSY- (V27045) (SPEC S413T103-8) (OPT ITEM 295H)	B,H,R ,S	1
-295B	501230-6		.LATCH ASSY- (V27045) (SPEC S413T103-6) (OPT ITEM 295F)	C,F,J ,M,Y, AB,AN ,AT,A Y,BB	1
-295C	S413T103-20		DELETED		
-295D	S413T103-21		DELETED		
-295E	S413T103-19		DELETED		
-295F	501230-19		.LATCH ASSY- (V27045) (SPEC S413T103-19) (OPT ITEM 295B)	C,F,J ,M,Y, AB,AN ,AT,A Y,BB	1
-295G	501230-20		.LATCH ASSY- (V27045) (SPEC S413T103-20) (OPT ITEM 295)	A,G,Z ,AC,A M,AS, AX,BA ,BL BN,CS ,CT	1

25-28-42

 ILLUSTRATED PARTS LIST
 01.1 Page 1080B
 Mar 01/98


BOEING
 COMPONENT
 MAINTENANCE MANUAL

FIG. & ITEM	PART NO.	AIRLINE PART NUMBER	NOMENCLATURE 1234567	EFF CODE	QTY PER ASSY
01- -295H	501230-21		.LATCH ASSY- (V27045) (SPEC S413T103-21) (OPT ITEM 295A)	B,H,R ,S	1
-295J -295K	S413T103-26 501230-22		DELETED .LATCH ASSY- (V27045) (SPEC S413T103-22)	V,W,A D,AG, AR,AW ,CQ,C R	1
-295L	502230-1		.LATCH ASSY- (V27045) (SPEC S413T103-26)	T,U	1
-295M	502230-2		.LATCH ASSY- (V27045) (SPEC S413T103-28)	Y,AA, BQ,BR	1
-295N	S413T103-30		.LATCH ASSY	AK,AL ,BJ,B K	1
-295P -295Q	S413T103-34 501230-19		DELETED .LATCH ASSY- (V27045) (SPEC S413T103-19)	BD,BE	1
-295R	S413T103-35		.LATCH ASSY	BG,BH ,BM,B P	1
-295S	502230-3		.LATCH ASSY- (V27045) (SPEC S413T103-34)	BF,CX	1
300	BACB30NN3K15		ATTACHING PARTS .BOLT	A-C, F-J,M ,R-AD ,AG,A K-AN AR-AT ,AW-B R,C Q-CT, CX	4
305	H10-3BAC		DELETED		

25-28-42

 ILLUSTRATED PARTS LIST
 01.1 Page 1080C
 Mar 01/98

FIG. & ITEM	PART NO.	AIRLINE PART NUMBER	NOMENCLATURE 1234567	EFF CODE	QTY PER ASSY
01-305A	H10-3BAC		.NUT- (V15653) (SPEC BACN10JC3) (OPT NS202101-02 (V80539)) (OPT RMLH9075-3W (V72962)) (OPT T6S1032J (V71087)) (OPT VN303A02 (V92215)) (OPT 96-02 (V80539)) (OPT BRH10A3 (V52828)) (OPT ITEM 305B)	A-C, F-J,M ,R-AD ,AG,A K-AN AR-AT ,AW-B C,B J-BL, BN	4
-305B	BACN10JC3CD		.NUT- (OPT ITEM 305)	A-C, F-J,M ,R-AD ,AG,A K-AN AR-AT ,AW-B C,B J-BL, BN	4
-305C	BACN10JC3CD		.NUT -----*	BD-BH ,BM,B P,CX	4
-305D	MS21042L3		.NUT	BD, BE ,BQ,B R,CQ, CR	4
310	BACB30NN3K18		ATTACHING PARTS .BOLT	A-C,G ,H, R-AD, AG,A K-AN AR-AT ,AW-B R,C Q-CT, CX	2

25-28-42

ILLUSTRATED PARTS LIST

01.1 Page 1080D

Mar 01/98


BOEING
 COMPONENT
 MAINTENANCE MANUAL

FIG. & ITEM	PART NO.	AIRLINE PART NUMBER	NOMENCLATURE 1234567	EFF CODE	QTY PER ASSY
01- 315 320 320A	AN960KD10L H10-3BAC A4972-6-02		DELETED DELETED .NUT- (V72962) (SPEC BACN10FX16) (OPT RM52LHA4972-6-02 (V72962)) (OPT 130069 (V60119)) (OPT A11330-6-3 (V72962)) -----*-----	A-C,G ,H, R-AD, AG,A K-AN AR-AT ,AW-B R,C Q-CT, CX	2
325 -330	413T1049-57SP 413T1049-58SP		.PANEL ASSY-CLOSE OUT .PANEL ASSY-CLOSE OUT ATTACHING PARTS	F,R M,S	1 1
335	BACB30NN3K13		.BOLT	F,M,R ,S	1
340	BACS18K10-48W		.SPACER	F,M,R ,S	1
345	BACS30NN3K22		.BOLT	F,M,R ,S	1
350 355 355A	AN960PD10L H10-3BAC A4972-6-02		DELETED DELETED .NUT- (V72962) (SPEC BACN10FX16) (OPT RM52LHA4972-6-02 (V72962)) (OPT 130069 (V60119)) (OPT A11330-6-3 (V72962)) -----*-----	F,M,R ,S	1

25-28-42

 ILLUSTRATED PARTS LIST
 01.1 Page 1080E
 Mar 01/98

FIG. & ITEM	PART NO.	AIRLINE PART NUMBER	NOMENCLATURE 1234567	EFF CODE	QTY PER ASSY
01-360	NAS1834A3K250		.. INSERT	F, M, R, S	2
365	413T1049-59		.. PANEL	F, R	1
-370	413T1049-60		.. PANEL	M, S	1
375	BACS12FA3K3		. SCREW	A-C, F-J, M, R-AD, AG, A, K-AN, AR-AT, AW-B, R, C, Q-CT, CX	15
380	BACS12FA3K3		. SCREW	A-C, G-J, T-AD, AG, A, K-AN, AR-AT, AW-B, R, C, Q-CT, CX	1
385	413T1039-27		. ANGLE-ATTACH	A-C, F-J, M, R-AD, AG, A, K-AN, AR-AT, AW-B, R, C, Q-CT, CX	1

25-28-42

ILLUSTRATED PARTS LIST

01.1 Page 1080F

Mar 01/98


BOEING
 COMPONENT
 MAINTENANCE MANUAL

FIG. & ITEM	PART NO.	AIRLINE PART NUMBER	NOMENCLATURE 1234567	EFF CODE	QTY PER ASSY
01-390	413T1039-28		.ANGLE-ATTACH	A-C, F-J,M ,R-AD ,AG,A K-AN AR-AT ,AW-B R,C Q-CT, CX	1
395	413T1049-43SP		.BIN ASSY-LWR	A,G,X ,Z,AA ,AC,A M,AS, BL BN,BQ ,BR,C S,CT	1
-395A	413T1049-45SP		.BIN ASSY-LWR	B,H,R ,S	1
-395B	413T1049-47SP		.BIN ASSY-LWR	C,F,J ,M,Y, AB,AN ,AT,B D-BF CXBF	1
-395C	413T1049-66SP		.BIN ASSY-LWR	T-W,A D,AG, AR,AW ,AZ,B C CQ,CR	1
-395D	413T1049-81SP		.BIN ASSY-LWR	AK,AL ,BG-B K	1
-395E	413T1049-43SP		DELETED		
-395F	413T1049-66SP		DELETED		
-395G	413T1049-88SP		.BIN ASSY-LWR	AX	1
-395H	413T1049-89SP		.BIN ASSY-LWR	AY	1
-395J	413T1049-90SP		.BIN ASSY-LWR	BB	1
395K	413T1049-91SP		.BIN ASSY-LWR	BA	1
-395L	413T1049-131SP		.BIN ASSY-LWR	BM	1
-395M	413T1049-132SP		.BIN ASSY-LWR	BP	1

25-28-42

 ILLUSTRATED PARTS LIST
 01.1 Page 1080G
 Mar 01/98

FIG. & ITEM	PART NO.	AIRLINE PART NUMBER	NOMENCLATURE 1234567	EFF CODE	QTY PER ASSY
01- 400 400A	NAS1836-3-08M NAS1836-3-07		DELETED ..INSERT	A-C, F-J,M R-AD AG,A K-AN AR-AT AW-B R,C Q-CT, CX	4
405	SL618-3A		..INSERT- (V97393)	A-C, F-J,M R-AD AG,A K-AN AR-AT AW-B R,C Q-CT, CX	18
407	SL618-3A		..INSERT- (V97393)	BM,BP	4
410	SL618-3A		..INSERT- (V97393)	B,C,F H,J M,R-W AB,A D,AG AK,AL AN,A R,AT AW,AY AZ BC-BK BM,B P,CX	4

25-28-42

 ILLUSTRATED PARTS LIST
 01.1 Page 1080H
 Mar 01/98


BOEING
 COMPONENT
 MAINTENANCE MANUAL

FIG. & ITEM	PART NO.	AIRLINE PART NUMBER	NOMENCLATURE 1234567	EFF CODE	QTY PER ASSY
01-412	SL618-3A		.. INSERT- (V97393)	AX,AY ,BB	4
414	SL618-3A		.. INSERT- (V97393)	BA	4
415	413T1042-20		. JOINT-SECT.	A,G,X ,Z,AA ,AC,A M,AS, AX,BA BL,BN ,BQ,B R,CS, CT	1
-415A	413T1042-122		. JOINT-SECT.	B,H,R ,S	1
-415B	413T1042-21		. JOINT-SECT.	C,F,J ,M,Y, AB,AN ,AT,A Y,BB BD-BF ,CX	1
-415C	413T1042-637		. JOINT-SECT.	T-W,A D,AG, AR,AW ,AZ,B C,CQ CRCQ	1
-415D	413T1042-1031		. JOINT-SECT.	AK,AL ,BG-B K,BM, BP	1

25-28-42

 ILLUSTRATED PARTS LIST
 01.1 Page 1080I
 Mar 01/98

FIG. & ITEM	PART NO.	AIRLINE PART NUMBER	NOMENCLATURE 1234567	EFF CODE	QTY PER ASSY
01-420	413T1048-29		.BIN ASSY-UPR	A,X,Z ,AM,B L	1
-420A	413T1048-31		.BIN ASSY-UPR	B,R	1
-420B	413T1048-33		.BIN ASSY-UPR	C,F,Y ,AN,C X	1
-420C	413T1048-39		.BIN ASSY-UPR	T,V,A D,AR, AZ	1
-420D	413T1048-43		.BIN ASSY-UPR	AK,BG ,BJ,B M	1
-425	413T1048-30		.BIN ASSY-UPR	G,AA, AC,AS ,BN	1
-425A	413T1048-32		.BIN ASSY-UPR	H,S	1
-425B	413T1048-34		.BIN ASSY-UPR	J,M,A B,AT, BF	1
-425C	413T1048-39		DELETED		
-425D	413T1048-40		.BIN ASSY-UPR	U,W,A G,AW, BC	1
-425E	413T1048-44		.BIN ASSY-UPR	AL,BH ,BK,B P	1
-425F	413T1048-47		.BIN ASSY-UPR	AX	1
-425G	413T1048-48		.BIN ASSY-UPR	BA	1
-425H	413T1048-49		.BIN ASSY-UPR	AY	1
-425J	413T1048-50		.BIN ASSY-UPR	BB	1
-425K	413T1048-51		.BIN ASSY-UPR	BD	1
-425L	413T1048-52		.BIN ASSY-UPR	BE	1
-425M	413T1048-55		.BIN ASSY-UPR	BQ,CS	1
-425N	413T1048-56		.BIN ASSY-UPR	BR,CT	1
-425P	413T1048-54		.BIN ASSY-UPR	CR	1
-425Q	413T1048-53		.BIN ASSY-UPR	CQ	1

25-28-42

 ILLUSTRATED PARTS LIST
 01.1 Page 1080J
 Mar 01/98


BOEING
 COMPONENT
 MAINTENANCE MANUAL

FIG. & ITEM	PART NO.	AIRLINE PART NUMBER	NOMENCLATURE 1234567	EFF CODE	QTY PER ASSY
01-430	SL618-3A		..INSERT- (V97393)	A-C, F-J,M ,R,S, X-AC, AK-AN AS,AX ,AY, BA,BB ,BD-B R,CS CT,CX	12
432	SL618-3A		..INSERT- (V97393)	BA	8
434	SL618-3A		..INSERT- (V97393)	AX	4
435	NAS1834A3-290		..INSERT	A-C, F-J,M ,R-AD ,AG,A K-AN AS,A X-BR, CQ-CT ,CX	2
440	413T1042-275		..INSERT- (ITEM 440 OPT TO ITEM 443 ONLY WHEN ITEM 443 IS NOT AVAILABLE)	A-C, F-J,M ,R-AD ,AG,A K-AN AS,A X-BC, BF-BP ,CX	4

25-28-42

 ILLUSTRATED PARTS LIST
 01.1 Page 1080K
 Mar 01/98

FIG. & ITEM	PART NO.	AIRLINE PART NUMBER	NOMENCLATURE 1234567	EFF CODE	QTY PER ASSY
01-443	SL604-3-290ASP4		..INSERT- (V97393) (ITEM 440 OPT TO ITEM 443 ONLY WHEN ITEM 443 IS NOT AVAILABLE)	A-C, F-J,M ,R-AD ,AG,A K-AN AS,A X-BC, BF-BP ,CX	4
-443A	SL604-3-290ASP4		..INSERT- (V97393)	BD,BE ,BQ,B R,C Q-CT	4
445	BAC27TPPS0252		.DECAL-BIN MUST BE LATCHED CLOSED LOAD LIMIT 40 LB/ 18 KG	A,G,A M,AN, AS	1
-445A	BAC27TPPS0251		.DECAL-BIN MUST BE LATCHED CLOSED LOAD LIMIT 80 LB/ 36 KG	C,F,J ,M,AT	1
-445B	BAC27TPPS0242		.DECAL-BIN MUST BE LATCHED CLOSED LOAD LIMIT 75 LB/ 34 KG	B,H,R ,S	1
-445C	BAC29PPS0632		.DECAL-BIN MUST BE LATCHED CLOSED LOAD LIMIT 60 LB/ 27 KG	T-W,A R,AW, AZ,BC ,BJ,B K	1
450	BAC29PPS2173		.DECAL-LATCH BIN CLOSED	X-AD, AG,A K-AM, AX,AY ,BA BB,B D-BH, BL-BR ,CQ-C T,CX	1

25-28-42

 ILLUSTRATED PARTS LIST
 01.1 Page 1080L
 Mar 01/98


BOEING
 COMPONENT
 MAINTENANCE MANUAL

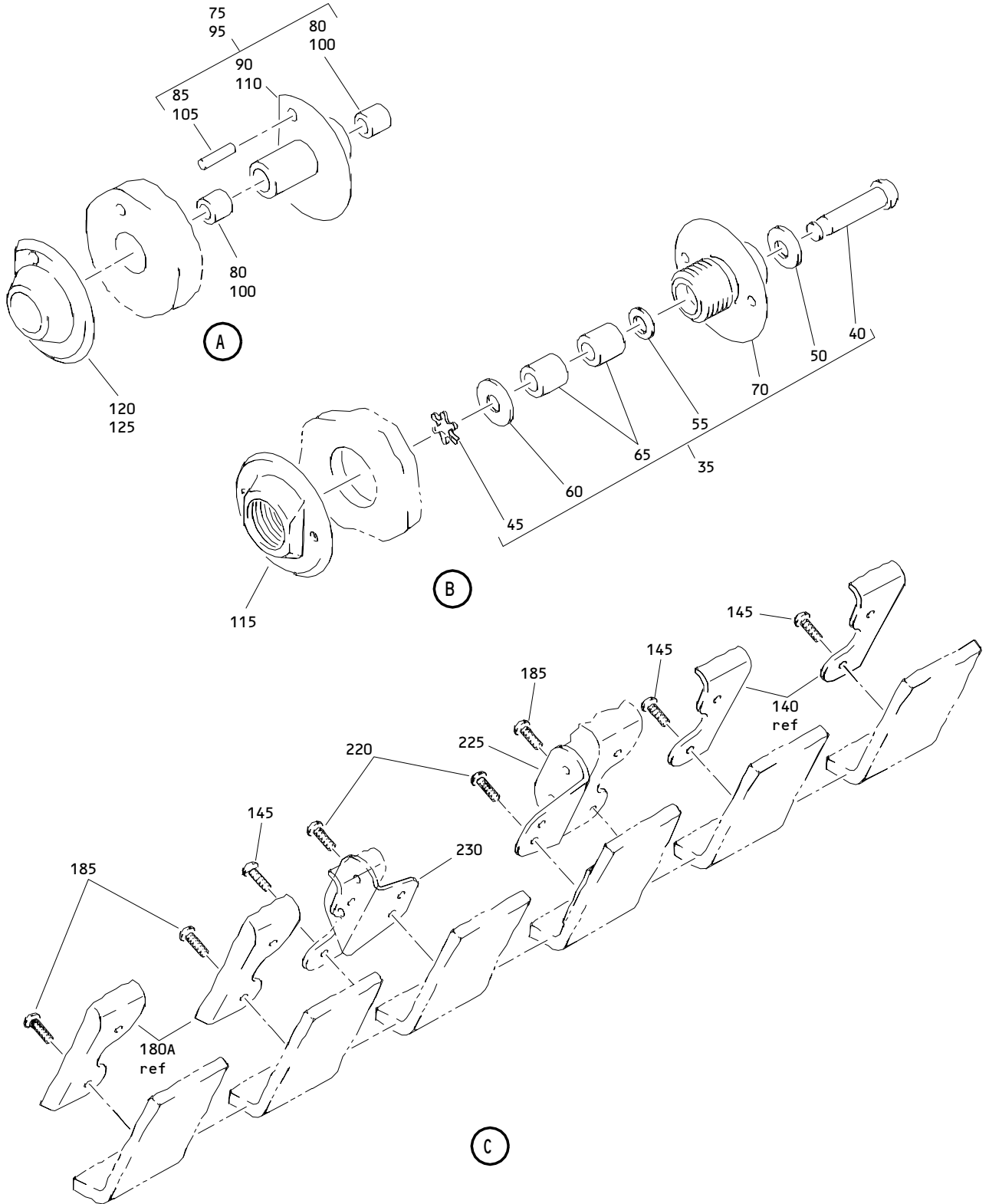
FIG. & ITEM	PART NO.	AIRLINE PART NUMBER	NOMENCLATURE 1234567	EFF CODE	QTY PER ASSY
01- 455	BAC29PPS2179		.DECAL-LOAD LIMIT 40 LB/18 KG	X,Z,A A,AC, AX,AY ,BA,B B,BQ BR,CS ,CT	1
455A	BAC29PPS2175		.DECAL-LOAD LIMIT 80 LB/36 KG	Y,AB, BF,CX	1
-455B	BAC29PPS2768		.DECAL-LOAD LIMIT 60LB/27KG	AD,AG ,CQ,C R	1
-455C	BAC29PPS5309		.DECAL-LOAD LIMIT 66LB/30KG	AK,AL ,BG,B H	1
-455D	BAC29PPS5612		.DECAL-LOAD LIMIT 22 LB/10 KG	BL,BN	1
-455E	BAC29PPS2177		.DECAL-LOAD LIMIT 58 LB/ 26KG	BM,BP	1

25-28-42

ILLUSTRATED PARTS LIST

01.1 Page 1080M

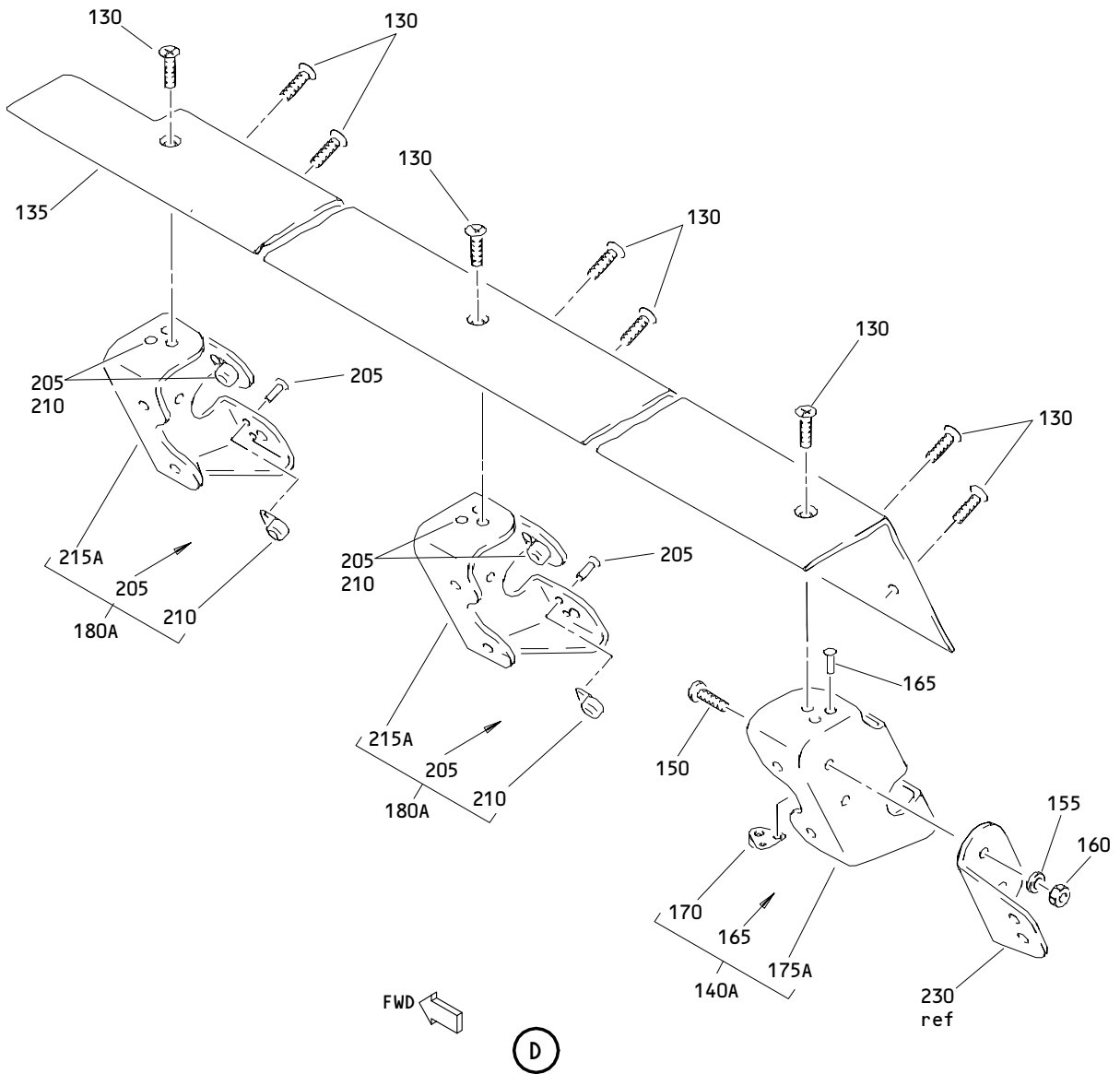
Mar 01/98



Center Overhead Storage Bin Assembly
 Figure 2 (Sheet 2)

25-28-42

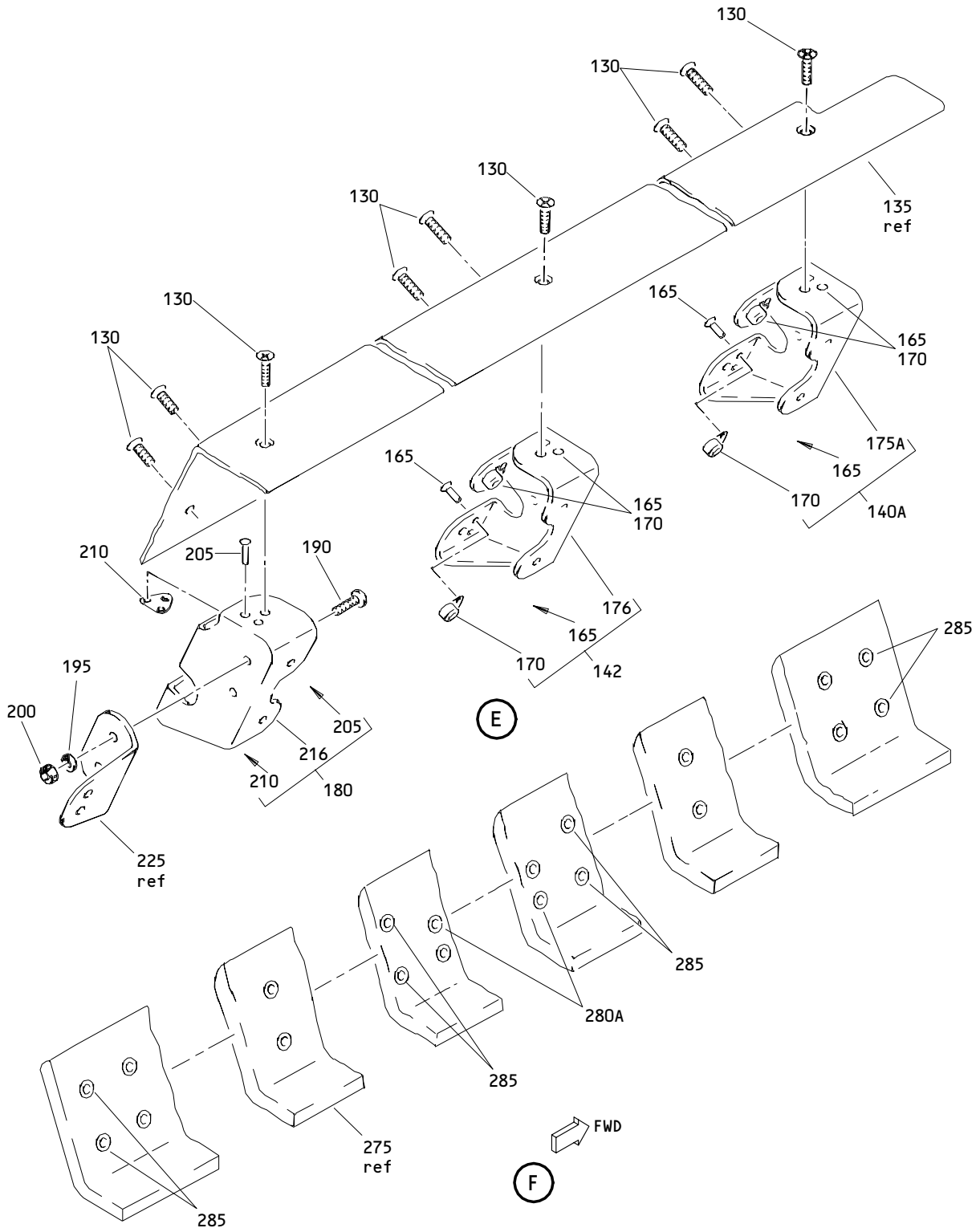
ILLUSTRATED PARTS LIST
 01.1 Page 10800
 Mar 01/98



Center Overhead Stowage Bin Assembly
 Figure 2 (Sheet 3)

25-28-42

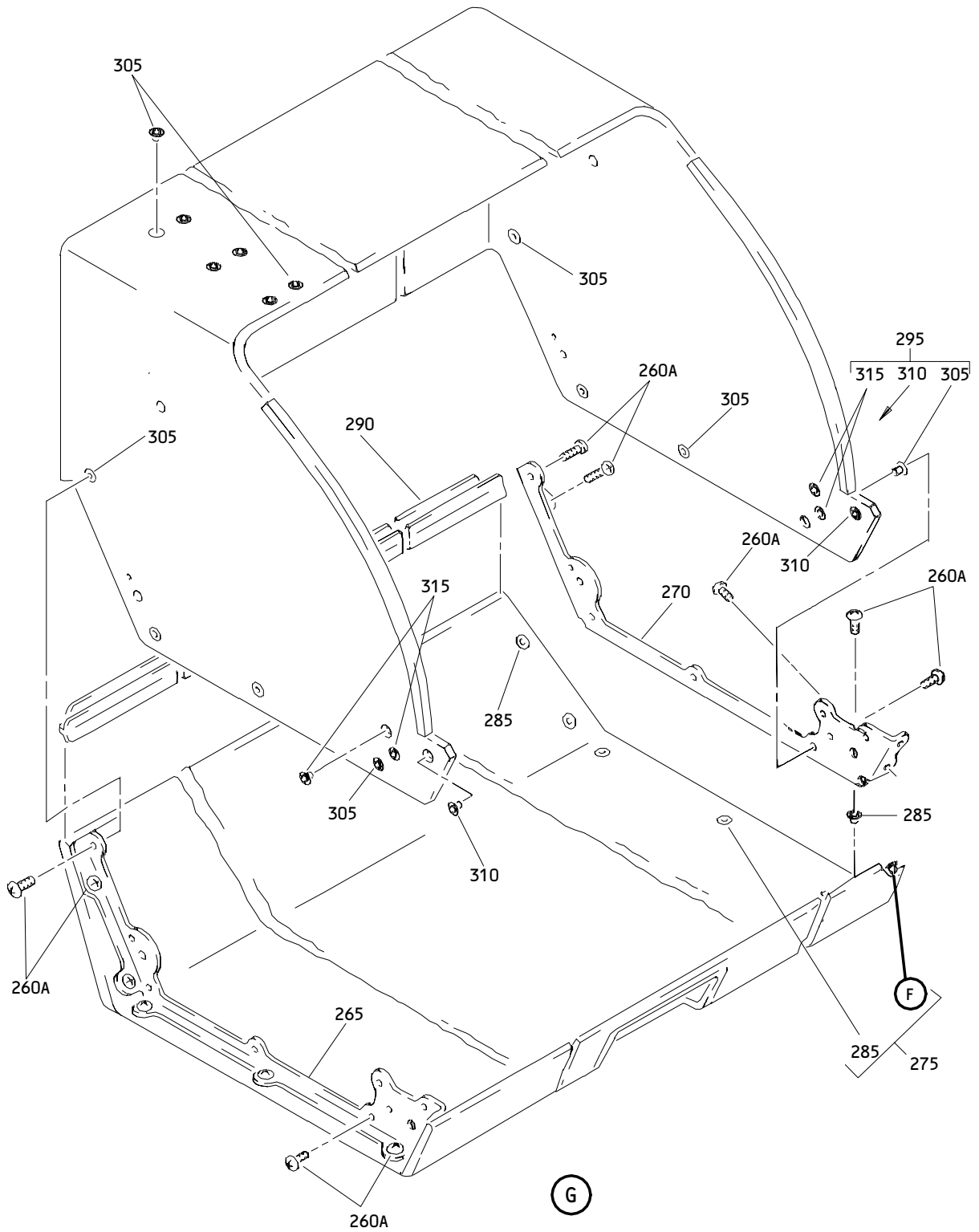
ILLUSTRATED PARTS LIST
 01.1 Page 1080P
 Mar 01/98



Center Overhead Stowage Bin Assembly
 Figure 2 (Sheet 4)

25-28-42

ILLUSTRATED PARTS LIST
 01.1 Page 1080Q
 Mar 01/98



Center Overhead Stowage Bin Assembly
 Figure 2 (Sheet 5)

25-28-42

ILLUSTRATED PARTS LIST
 01.1 Page 1080R
 Mar 01/98


BOEING
 COMPONENT
 MAINTENANCE MANUAL

FIG. & ITEM	PART NO.	AIRLINE PART NUMBER	NOMENCLATURE 1234567	EFF CODE	QTY PER ASSY
02- -1	413T1047-29SP		BIN ASSY-CTR OVERHEAD STOWAGE (LH)	D	RF
-1A	413T1047-55SP		BIN ASSY-CTR OVERHEAD STOWAGE (LH)	AF	RF
-1B	413T1047-63SP		BIN ASSY-CTR OVERHEAD STOWAGE (LH)	AP	RF
-5	413T1047-30SP		BIN ASSY-CTR OVERHEAD STOWAGE (RH)	K	RF
-5A	413T1047-56SP		BIN ASSY-CTR OVERHEAD STOWAGE (RH)	AJ	RF
-5B	413T1047-64SP		BIN ASSY-CTR OVERHEAD STOWAGE (RH)	AU	RF
10	413T1042-24		.RESTRAINT ASSY	D,K,A F,AJ, AP,AU	2
15	BACS12FA3K3		ATTACHING PARTS .SCREW	D,K,A F,AJ, AP,AU	12
25	413T1042-41		-----*----- ..RUBBER	D,K,A F,AJ, AP,AU	1
30	413T1042-25		..TEE	D,K,A F,AJ, AP,AU	1
35	413T1036-41		.BOSS ASSY	D,K,A F,AJ, AP,AU	2
40	CA18271-9		..PIN- (V26390)	D,K,A F,AJ, AP,AU	1

25-28-42

 ILLUSTRATED PARTS LIST
 01.1 Page 1080S
 Mar 01/98

FIG. & ITEM	PART NO.	AIRLINE PART NUMBER	NOMENCLATURE 1234567	EFF CODE	QTY PER ASSY
02-45	CA1825		..WASHER-RETAINING (V26390)	D,K,A F,AJ, AP,AU	1
50	413T1060-6		..WASHER	D,K,A F,AJ, AP,AU	1
55	413T1060-7		..WASHER	D,K,A F,AJ, AP,AU	1
60	413T1060-5		..WASHER	D,K,A F,AJ, AP,AU	1
65	Y47		..BEARING-NEEDLE (V60380)	D,K,A F,AJ, AP,AU	2
70	413T1036-43		..BOSS-UPR PIVOT (MALE)	D,K,A F,AJ, AP,AU	1
75	413T1036-45		.BOSS ASSY	D,K,A F,AJ, AP,AU	1
80	501-0404-008		..BUSHING- (V77896)	D,K,A F,AJ, AP,AU	2
85	413T1036-32		..PIN	D,K,A F,AJ, AP,AU	1
90	413T1036-47		..BOSS-SPECIAL BIN PIVOT (MALE)	D,K,A F,AJ, AP,AU	1
95	413T1036-46		.BOSS ASSY	D,K,A F,AJ, AP,AU	1
100	501-0404-008		..BUSHING- (V77896)	D,K,A F,AJ, AP,AU	2
105	413T1036-32		..PIN	D,K,A F,AJ, AP,AU	1
110	413T1036-40		..BOSS-SPECIAL BIN PIVOT (MALE)	D,K,A F,AJ, AP,AU	1

25-28-42

 ILLUSTRATED PARTS LIST
 01.1 Page 1080T
 Mar 01/98


BOEING
 COMPONENT
 MAINTENANCE MANUAL

FIG. & ITEM	PART NO.	AIRLINE PART NUMBER	NOMENCLATURE 1234567	EFF CODE	QTY PER ASSY
02-115	413T1036-12		.BOSS-PIVOT (FEMALE)	D,K,A F,AJ, AP,AU	2
120	413T1036-35		.BOSS-FEMALE	D,K,A F,AJ, AP,AU	1
125	413T1036-15		.BOSS-FEMALE	D,K,A F,AJ, AP,AU	1
130	NAS514P1032-6		.SCREW	D,K,A F,AJ, AP,AU	18
135	413T1042-269		.THRESHOLD	D,K,A F,AJ, AP,AU	1
139	413T1128-8		DELETED		
140	413T1128-2		DELETED		
140A	413T1128-8		.SUPPORT ASSY	D,K,A F,AJ, AP,AU	2
142	413T1128-14		.SUPPORT ASSY	D,K,A F,AJ, AP,AU	1
145	BACS12FA3K4		ATTACHING PARTS .SCREW	D,K,A F,AJ, AP,AU	6
150	BACS12FA3K5		.SCREW	D,K,A F,AJ, AP,AU	2
155	AN960KD10L		.WASHER	D,K,A F,AJ, AP,AU	2

25-28-42

 ILLUSTRATED PARTS LIST
 01.1 Page 1080U
 Mar 01/98

FIG. & ITEM	PART NO.	AIRLINE PART NUMBER	NOMENCLATURE 1234567	EFF CODE	QTY PER ASSY
02-160	H10-3BAC		.NUT- (V15653) (SPEC BACN10JC3) (OPT NS202101-02 (V80539)) (OPT RMLH9075-3W (V72962)) (OPT T6S1032J (V71087)) (OPT VN303A02 (V92215)) (OPT 96-02 (V80539)) (OPT BRH10A3 (V52828)) (OPT ITEM 160A)	D,K,A F,AJ, AP,AU	2
-160A	BACN10JC3CD		.NUT- (OPT ITEM 160)	D,K,A F,AJ, AP,AU	2
165	BACR15BA3D		-----*----- ..RIVET (SIZE DETERMINE ON INST) (USE WITH ITEM 170)	D,K,A F,AJ, AP,AU	6
170	NS103225-02		..NUTPLATE- (V80539) (SPEC BACN10KH3) (OPT RMF9209M3 (V72962)) (OPT F29779-3 (V15653)) (REPLD BY ITEMS 170A, 170B)	D,K,A F,AJ, AP,AU	3

25-28-42

 ILLUSTRATED PARTS LIST
 01.1 Page 1080V
 Mar 01/98


BOEING
 COMPONENT
 MAINTENANCE MANUAL

FIG. & ITEM	PART NO.	AIRLINE PART NUMBER	NOMENCLATURE 1234567	EFF CODE	QTY PER ASSY
02- -170A	A4972-6-02		..NUT- (V72962) (SPEC BACN10FX16) (OPT RM52LHA4972-6-02 (V72962)) (OPT 130069 (V60119)) (OPT A11330-6-3 (V72962)) (REPLS ITEM 170) (OPT ITEM 170B)	D,K,A F,AJ, AP,AU	3
-170B	SL2113-1		..NUT- (REPLS ITEM 170) (V97393) (OPT ITEM 170A)	D,K,A F,AJ, AP,AU	3
175	413T1128-4		DELETED		
175A	413T1128-10		..SUPPORT- (USED ON ITEM 140A)	D,K,A F,AJ, AP,AU	1
176	413T1128-16		..SUPPORT- (USED ON ITEM 142)	D,K,A F,AJ, AP,AU	1
177	LHA9829-10-3		DELETED		
179	413T1128-10		DELETED		
180	413T1128-1		DELETED		
180A	413T1128-7		.SUPPORT ASSY	D,K,A F,AJ, AP,AU	2
181	413T1128-13		.SUPPORT ASSY	D,K,A F,AJ, AP,AU	1
182	413T1128-7		DELETED		
185	BACS12FA3K4		ATTACHING PARTS .SCREW	D,K,A F,AJ, AP,AU	6

25-28-42

ILLUSTRATED PARTS LIST

01.1 Page 1080W

Mar 01/98

FIG. & ITEM	PART NO.	AIRLINE PART NUMBER	NOMENCLATURE 1234567	EFF CODE	QTY PER ASSY
02-190	BACS12FA3K5		.SCREW	D,K,A F,AJ, AP,AU	2
195	AN960KD10L		.WASHER	D,K,A F,AJ, AP,AU	2
200	H10-3BAC		.NUT- (V15653) (SPEC BACN10JC3) (OPT NS202101-02 (V80539)) (OPT RMLH9075-3W (V72962)) (OPT T6S1032J (V71087)) (OPT VN303A02 (V92215)) (OPT 96-02 (V80539)) (OPT BRH10A3 (V52828)) (OPT ITEM 200A)	D,K,A F,AJ, AP,AU	2
-200A	BACN10JC3CD		.NUT- (OPT ITEM 200)	D,K,A F,AJ, AP,AU	2
			-----*-----		
205	BACR15BA3D		..RIVET (SIZE DETERMINE ON INST) (USED WITH ITEM 210)	D,K,A F,AJ, AP,AU	6
210	NS103225-02		..NUTPLATE- (V80539) (SPEC BACN10KH3) (OPT RMF9209M3 (V72962)) (OPT F29779-3 (V15653)) (REPLD BY ITEMS 210A, 210B)	D,K,A F,AJ	3

25-28-42

 ILLUSTRATED PARTS LIST
 01.1 Page 1080X
 Mar 01/98


BOEING
 COMPONENT
 MAINTENANCE MANUAL

FIG. & ITEM	PART NO.	AIRLINE PART NUMBER	NOMENCLATURE 1234567	EFF CODE	QTY PER ASSY
02- -210A	A4972-6-02		..NUT- (V72962) (SPEC BACN10FX16) (OPT RM52LHA4972-6-02 (V72962)) (OPT 130069 (V60119)) (OPT A11330-6-3 (V72962)) (REPLS ITEM 210) (OPT ITEM 210B)	D,K,A F,AJ, AP,AU	3
-210B	SL2113-1		..NUT- (REPLS ITEM 210) (V97393) (OPT ITEM 210A)	D,K,A F,AJ, AP,AU	3
215	413T1128-3		DELETED		
215A	413T1128-9		..SUPPORT- (USED ON ITEM 180A)	D,K,A F,AJ, AP,AU	1
216	413T1128-15		..SUPPORT- (USED ON ITEM 181)	D,K,A F,AJ, AP,AU	1
217	LHA9829-10-3		DELETED		
219	413T1128-9		DELETED		
220	BACS12FA3K5		.SCREW	D,K,A F,AJ, AP,AU	4
225	413T1042-267		.ANGLE-ATTACH (OPT ITEM 225A)	D,K,A F,AJ, AP,AU	1
-225A	413T1042-771		.ANGLE-ATTACH (OPT ITEM 225)	D,K,A F,AJ, AP,AU	1

25-28-42

 ILLUSTRATED PARTS LIST
 01.1 Page 1080Y
 Mar 01/98

FIG. & ITEM	PART NO.	AIRLINE PART NUMBER	NOMENCLATURE 1234567	EFF CODE	QTY PER ASSY
02-230	413T1042-268		.ANGLE-ATTACH (OPT ITEM 230A)	D,K,A F,AJ, AP,AU	1
-230A	413T1042-772		.ANGLE-ATTACH (OPT ITEM 230)	D,K,A F,AJ, AP,AU	1
235	501230-6		.LATCH ASSY- (V27045) (SPEC S413T103-6) (OPT ITEM 235B)	D,K,A F,AJ, AP,AU	1
-235A	S413T103-19		DELETED		
-235B	501230-19		.LATCH ASSY- (V27045) (SPEC S413T103-19) (OPT ITEM 235)	D,K,A F,AJ, AP,AU	1
240	BACB30NN3K15		ATTACHING PARTS .BOLT	D,K,A F,AJ, AP,AU	4
245	BACB30NN3K18		.BOLT	D,K,A F,AJ, AP,AU	2
250	AN960KD10L		DELETED		
255	H10-3BAC		.NUT- (V15653) (SPEC BACN10JC3) (OPT NS202101-02 (V80539)) (OPT RMLH9075-3W (V72962)) (OPT T6S1032J (V71087)) (OPT VN303A02 (V92215)) (OPT 96-02 (V80539)) (OPT BRH10A3 (V52828)) (OPT ITEM 255A)	D,K,A F,AJ, AP,AU	4

25-28-42

ILLUSTRATED PARTS LIST

01.1 Page 1080Z

Mar 01/98


BOEING
 COMPONENT
 MAINTENANCE MANUAL

FIG. & ITEM	PART NO.	AIRLINE PART NUMBER	NOMENCLATURE 1234567	EFF CODE	QTY PER ASSY
02- -255A	BACN10JC3CD		.NUT- (OPT ITEM 255)	D,K,A F,AJ, AP,AU	4
257	A4972-6-02		.NUT- (V72962) (SPEC BACN10FX16) (OPT RM52LHA4972-6-02 (V72962)) (OPT 130069 (V60119)) (OPT A11330-6-3 (V72962)) -----*-----	D,K,A F,AJ, AP,AU	2
260	BACF12FA3K3		DELETED		
260A	BACS12FA3K3		.SCREW	D,K,A F,AJ, AP,AU	22
265	413T1039-29		.ANGLE-ATTACH	D,K,A F,AJ, AP,AU	1
270	413T1039-30		.ANGLE-ATTACH	D,K,A F,AJ, AP,AU	1
275	413T1049-49SP		.BIN ASSY-LWR	D,K,A F,AJ, AP,AU	1
280	NAS1836-3-08M		DELETED		
280A	NAS1836-3-07		..INSERT	D,K,A F,AJ, AP,AU	4

25-28-42

ILLUSTRATED PARTS LIST

01.1

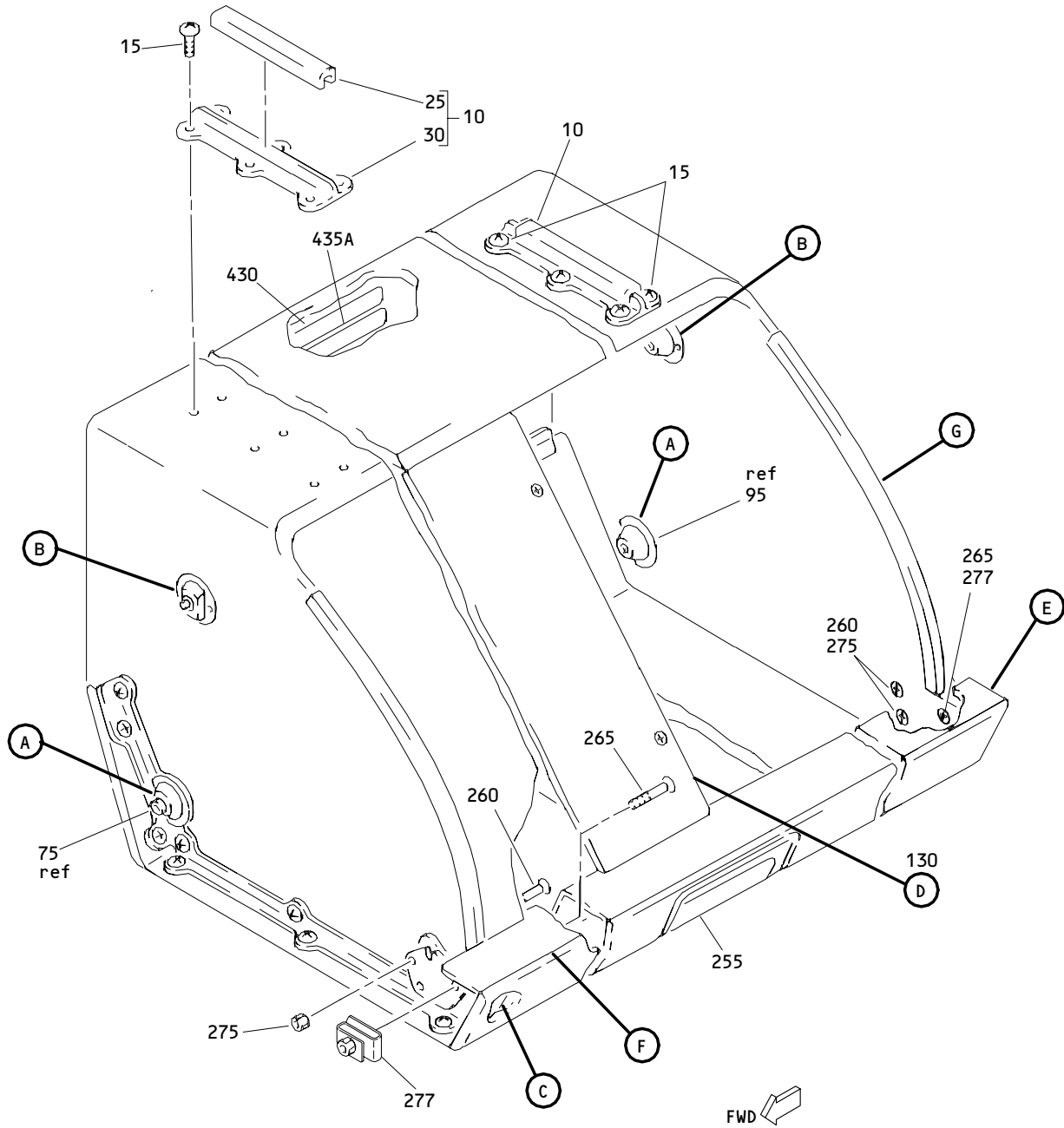
Page 1081

Mar 01/98

FIG. & ITEM	PART NO.	AIRLINE PART NUMBER	NOMENCLATURE 1234567	EFF CODE	QTY PER ASSY
02-285	SL618-3A		..INSERT- (V97393)	D,K,A F,AJ, AP,AU	26
290	413T1042-22		.JOINT-SECT.	D,K,A F,AJ, AP,AU	1
295	413T1048-35		.BIN ASSY-UPR	D,AF, AP	1
-300	413T1048-36		.BIN ASSY-UPR	K,AJ, AU	1
305	SL618-3A		..INSERT- (V97393)	D,K,A F,AJ, AP,AU	14
310	NAS1834A3-290		..INSERT	D,K,A F,AJ, AP,AU	2
315	413T1042-275		..INSERT- (ITEM 315 OPT TO ITEM 315A ONLY WHEN ITEM 315A IS NOT AVAILABLE)	D,K,A F,AJ, AP,AU	4
-315A	SL604-3-290ASP4		..INSERT- (V97393) (ITEM 315 OPT TO ITEM 315A ONLY WHEN ITEM 315A IS NOT AVAILABLE)	D,K,A F,AJ, AP,AU	4
320	BAC27TPPS0251		.DECAL-BIN MUST BE LATCHED CLOSED LOAD LIMIT 80 LB/ 36 KG	D,K,A P,AU	1
-320A	BAC29PPS2173		.DECAL-LATCH BIN CLOSED	AF,AJ	1
325	BAC29PPS2175		.DECAL-LOAD LIMIT 80 LB/ 36 KG	AF,AJ	1

25-28-42

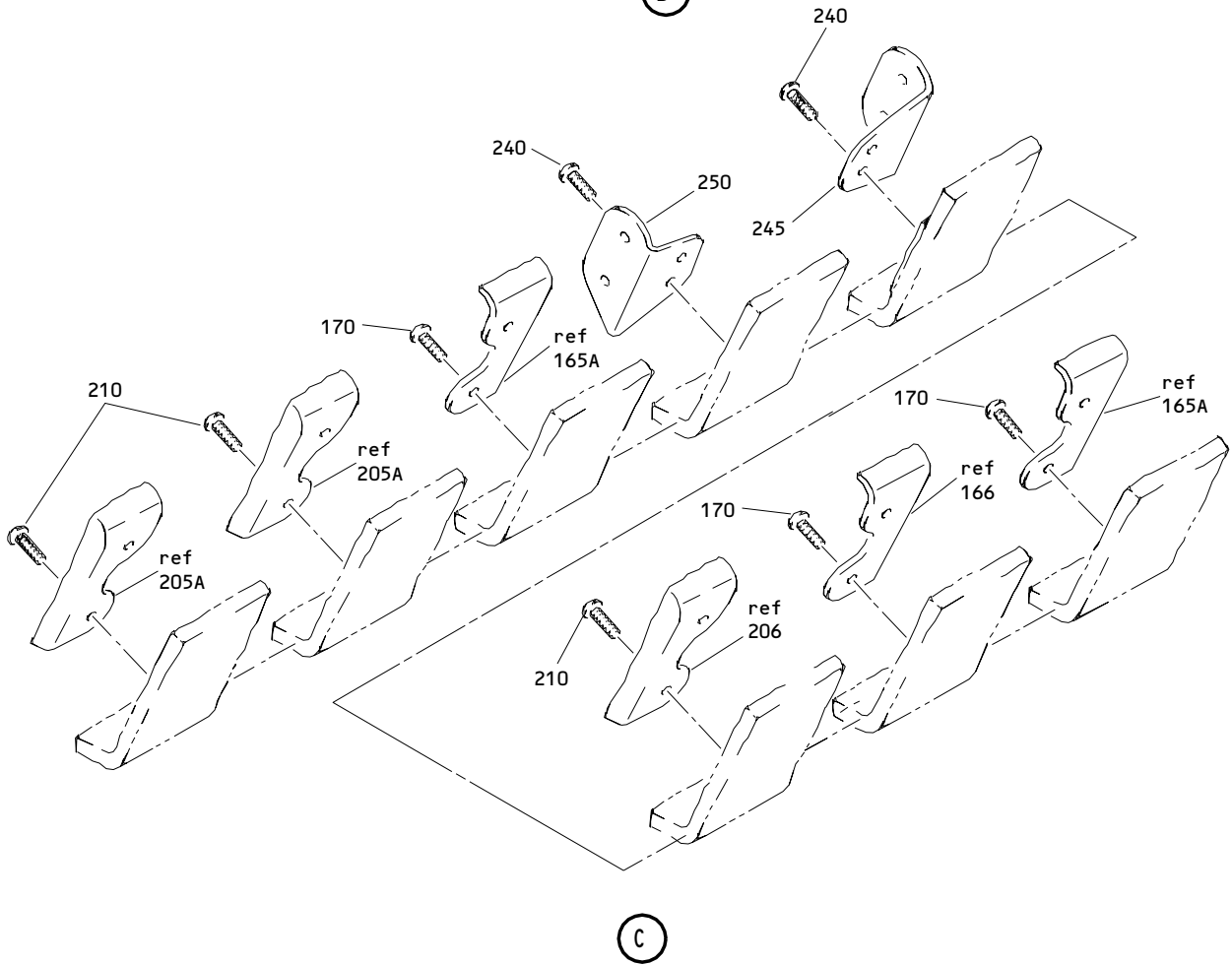
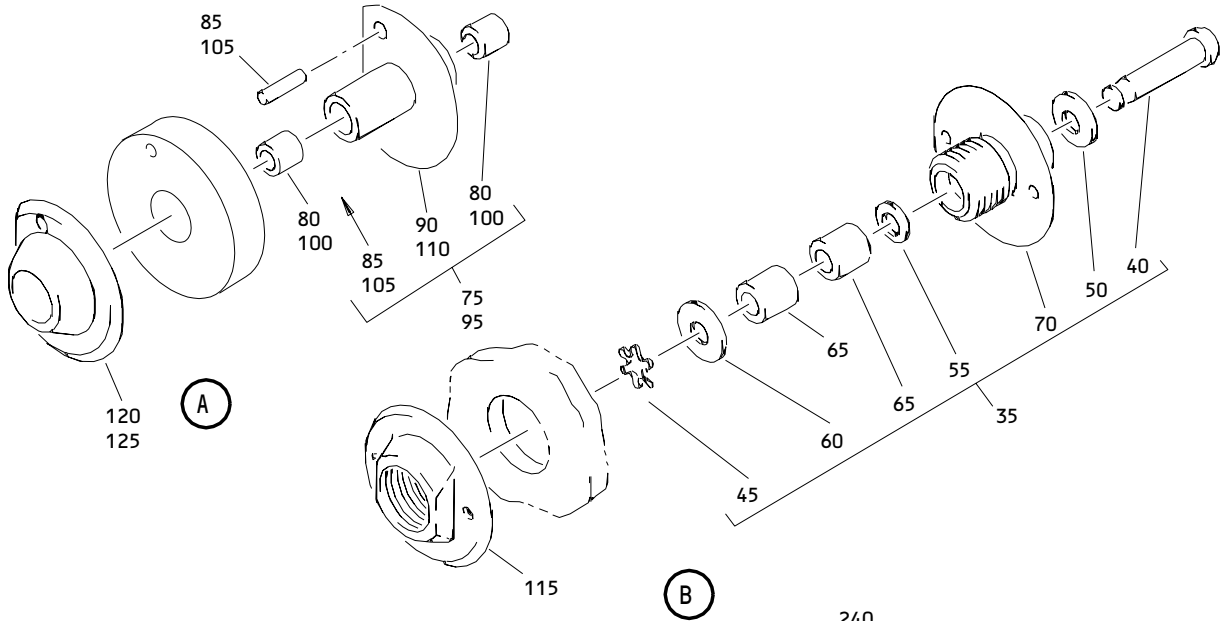
 ILLUSTRATED PARTS LIST
 01.1 Page 1082
 Mar 01/98



Center Overhead Storage Bin Assembly
 Figure 3 (Sheet 1)

25-28-42

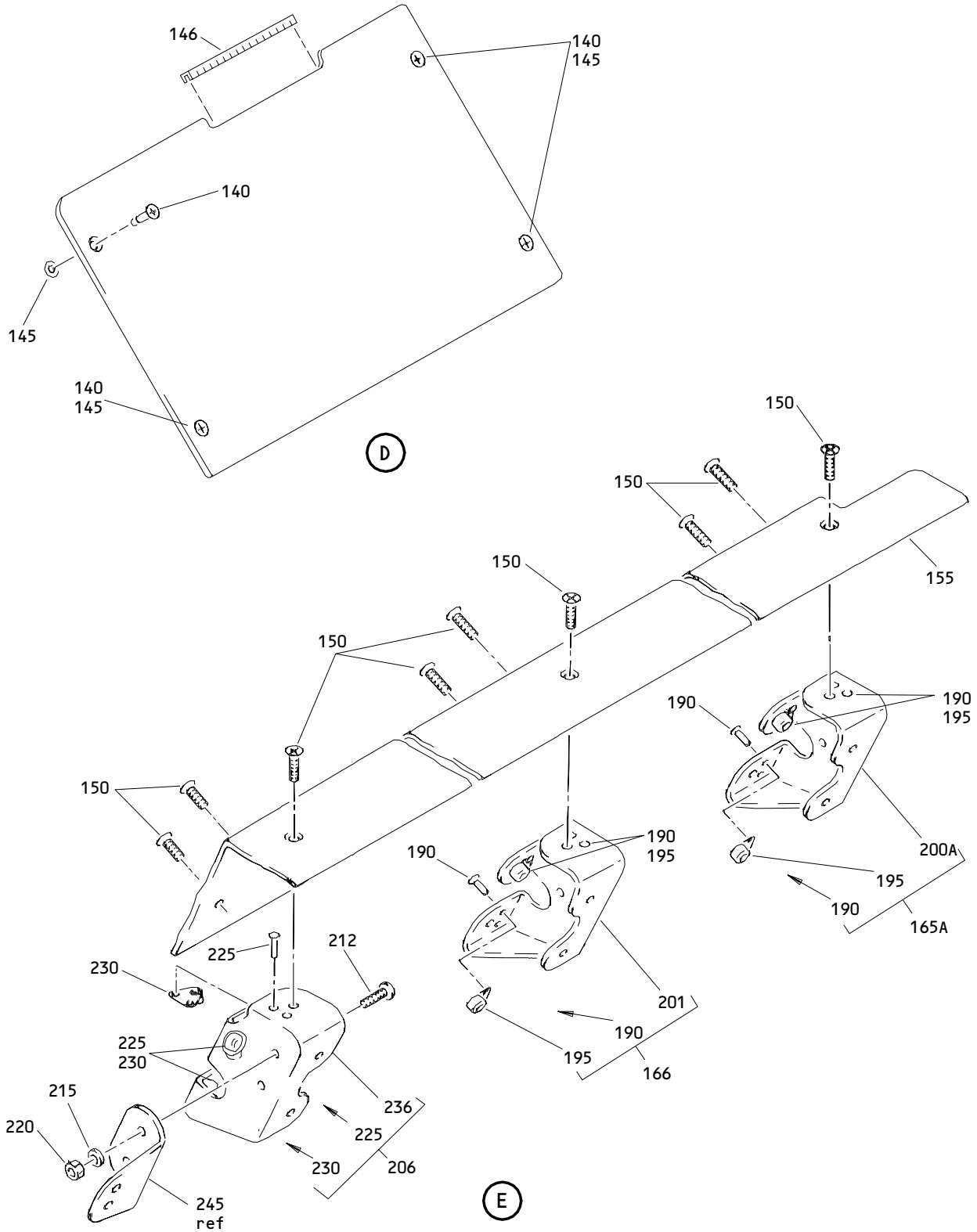
ILLUSTRATED PARTS LIST
 01.1 Page 1082B
 Mar 01/98



Center Overhead Storage Bin Assembly
 Figure 3 (Sheet 2)

25-28-42

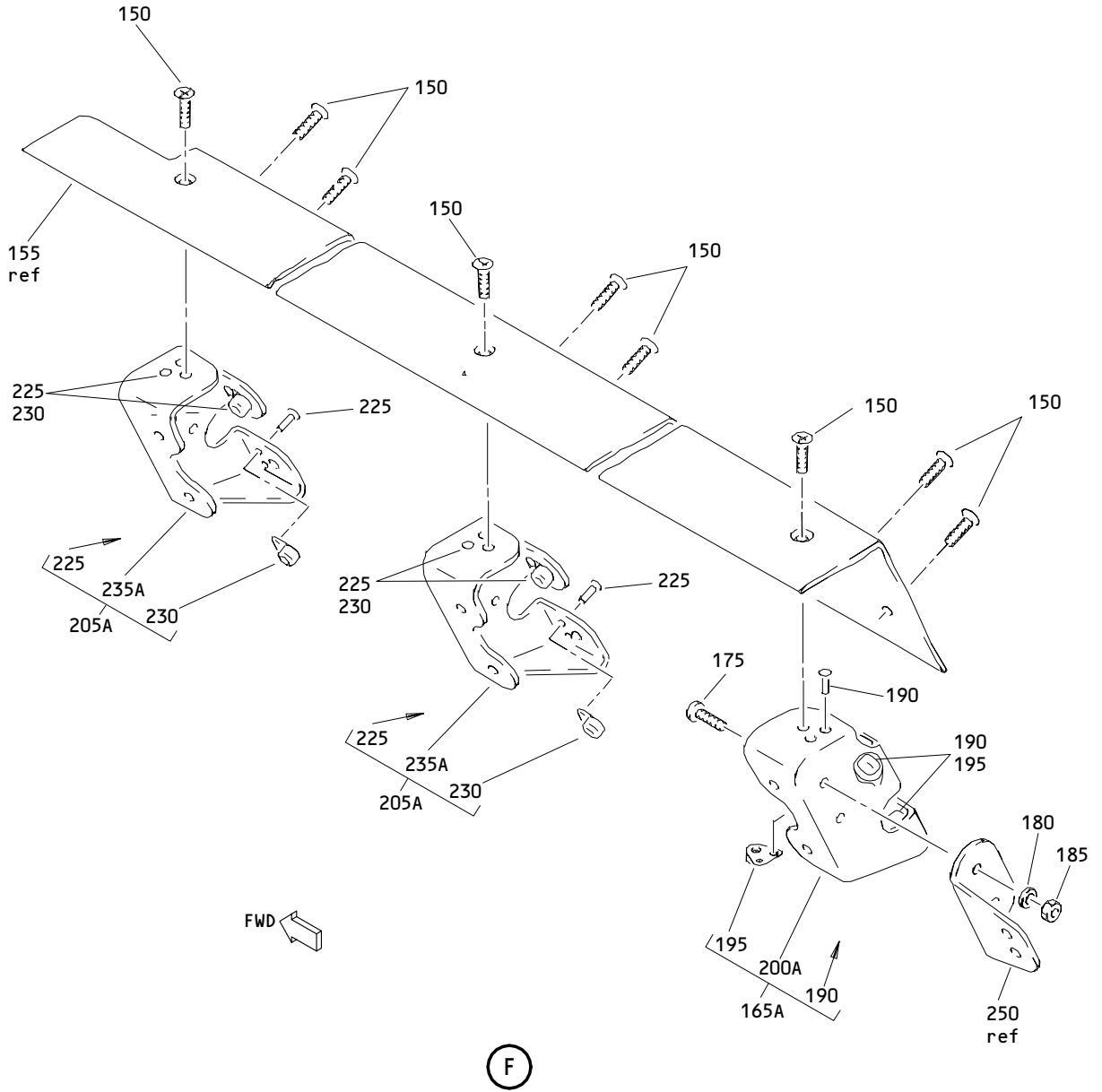
ILLUSTRATED PARTS LIST
 01.1 Page 1082C
 Mar 01/98



Center Overhead Storage Bin Assembly
 Figure 3 (Sheet 3)

25-28-42

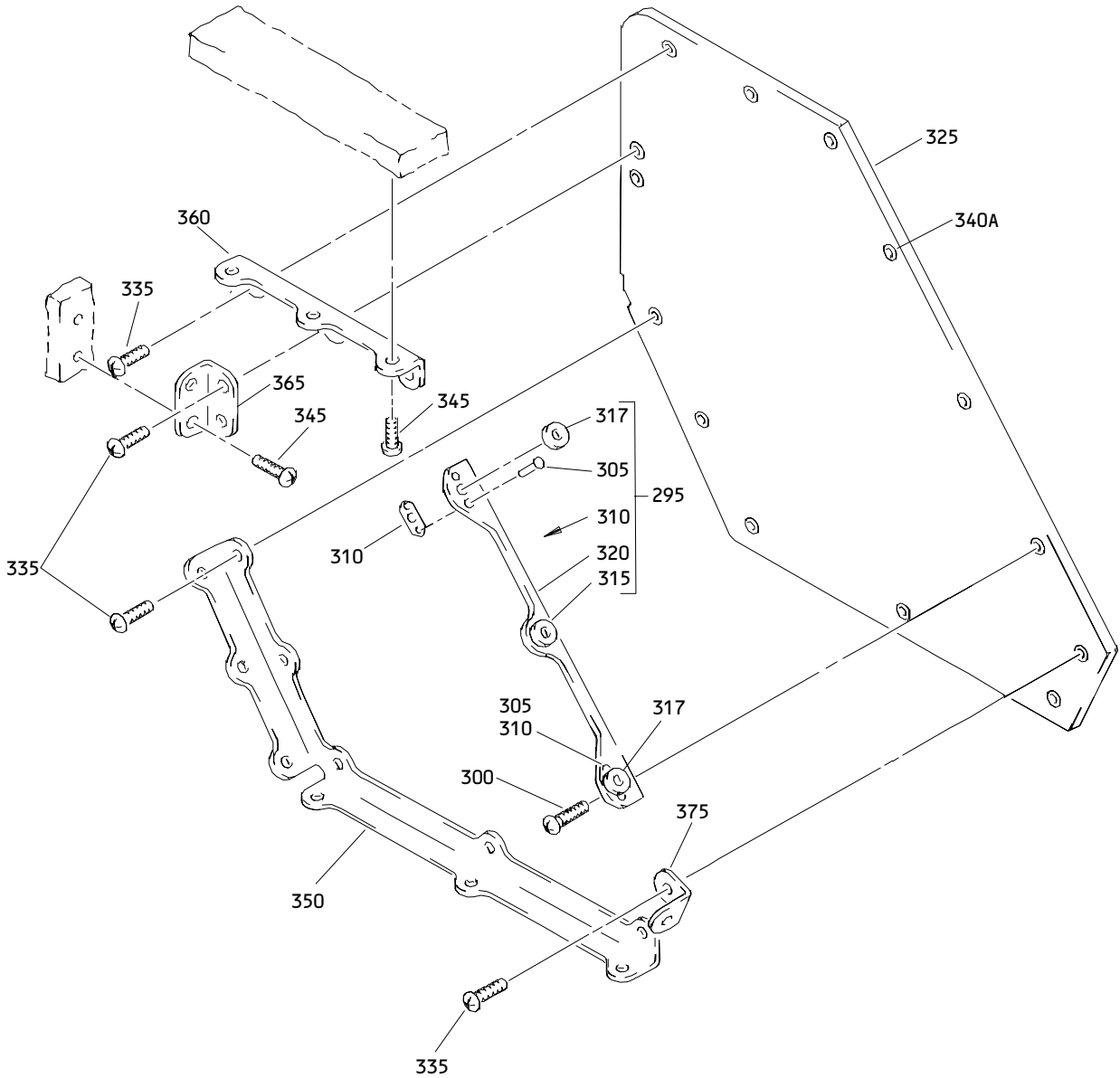
ILLUSTRATED PARTS LIST
 01.1 Page 1082D
 Mar 01/98



Center Overhead Stowage Bin Assembly
Figure 3 (Sheet 4)

25-28-42

ILLUSTRATED PARTS LIST
01.1 Page 1082E
Mar 01/98

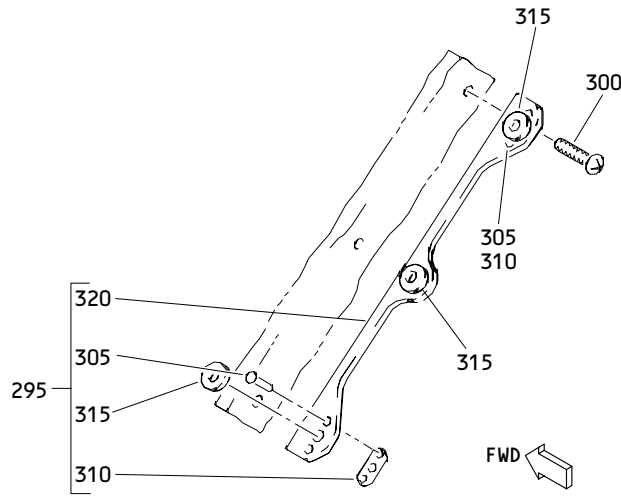


(H)

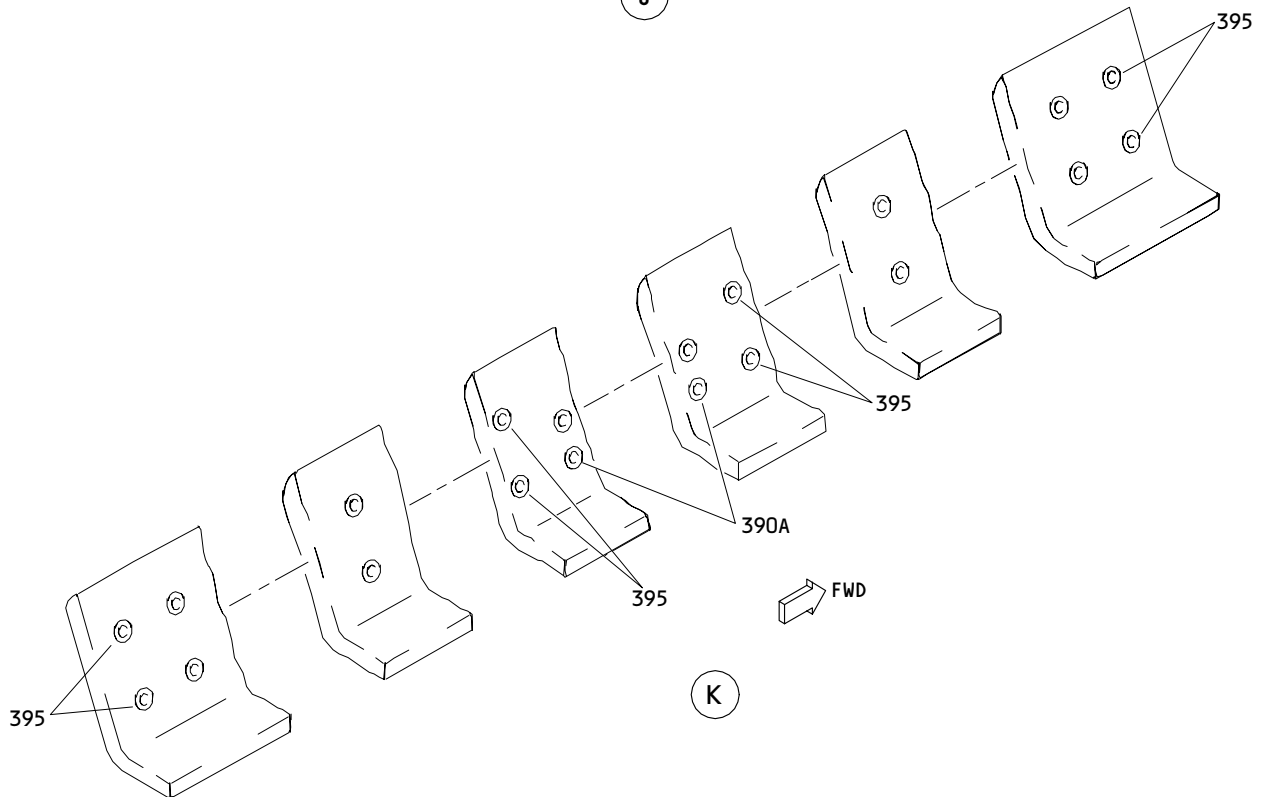
Center Overhead Stowage Bin Assembly
Figure 3 (Sheet 6)

25-28-42

ILLUSTRATED PARTS LIST
01.1 Page 1082G
Mar 01/98



J



K

Center Overhead Stowage Bin Assembly
 Figure 3 (Sheet 7)

25-28-42

ILLUSTRATED PARTS LIST
 01.1 Page 1082H
 Mar 01/98


BOEING
 COMPONENT
 MAINTENANCE MANUAL

FIG. & ITEM	PART NO.	AIRLINE PART NUMBER	NOMENCLATURE 1234567	EFF CODE	QTY PER ASSY
03- -1	413T1047-31SP		BIN ASSY-CTR OVERHEAD STOWAGE (LH)	E	RF
-1A	413T1047-37SP		BIN ASSY-CTR OVERHEAD STOWAGE (LH)	P	RF
-1B	413T1047-53SP		BIN ASSY-CTR OVERHEAD STOWAGE (LH)	AE	RF
-1C	413T1047-65SP		BIN ASSY-CTR OVERHEAD STOWAGE (LH)	AQ	RF
-5	413T1047-32SP		BIN ASSY-CTR OVERHEAD STOWAGE (RH)	L	RF
-5A	413T1047-38SP		BIN ASSY-CTR OVERHEAD STOWAGE (RH)	Q	RF
-5B	413T1047-54SP		BIN ASSY-CTR OVERHEAD STOWAGE (RH)	AH	RF
-5C	413T1047-66SP		BIN ASSY-CTR OVERHEAD STOWAGE (RH)	AV	RF
10	413T1042-24		.RESTRAINT ASSY	E,L,P ,Q,AE ,AH,A Q,AV	2
15	BACS12FA3K3		ATTACHING PARTS .SCREW	E,L,P ,Q,AE ,AH,A Q,AV	12
25	413T1042-41		-----*----- ..RUBBER	E,L,P ,Q,AE ,AH,A Q,AV	1
30	413T1042-25		..TEE	E,L,P ,Q,AE ,AH,A Q,AV	1

25-28-42

 ILLUSTRATED PARTS LIST
 01.1 Page 1082I
 Mar 01/98

FIG. & ITEM	PART NO.	AIRLINE PART NUMBER	NOMENCLATURE 1234567	EFF CODE	QTY PER ASSY
03-35	413T1036-41		.BOSS ASSY	E,L,P ,Q,AE ,AH,A Q,AV	2
40	CA18271-9		..PIN- (V26390)	E,L,P ,Q,AE ,AH,A Q,AV	1
45	CA1825		..WASHER-RETAINING (V26390)	E,L,P ,Q,AE ,AH,A Q,AV	1
50	413T1060-6		..WASHER	E,L,P ,Q,AE ,AH,A Q,AV	1
55	413T1060-7		..WASHER	E,L,P ,Q,AE ,AH,A Q,AV	1
60	413T1060-5		..WASHER	E,L,P ,Q,AE ,AH,A Q,AV	2
65	Y47		..BEARING-NEEDLE (V60380)	E,L,P ,Q,AE ,AH,A Q,AV	2
70	413T1036-43		..BOSS-UPR PIVOT (MALE)	E,L,P ,Q,AE ,AH,A Q,AV	1
75	413T1036-45		.BOSS ASSY	E,L,P ,Q,AE ,AH,A Q,AV	1

25-28-42

ILLUSTRATED PARTS LIST

01.1 Page 1082J

Mar 01/98


BOEING
 COMPONENT
 MAINTENANCE MANUAL

FIG. & ITEM	PART NO.	AIRLINE PART NUMBER	NOMENCLATURE 1234567	EFF CODE	QTY PER ASSY
03-80	501-0404-008		..BUSHING- (V77896)	E,L,P ,Q,AE ,AH,A Q,AV	2
85	413T1036-32		..PIN	E,L,P ,Q,AE ,AH,A Q,AV	1
90	413T1036-47		..BOSS-SPECIAL BIN PIVOT (MALE)	E,L,P ,Q,AE ,AH,A Q,AV	1
95	413T1036-46		.BOSS ASSY	E,L,P ,Q,AE ,AH,A Q,AV	1
100	501-0404-008		..BUSHING- (V77896)	E,L,P ,Q,AE ,AH,A Q,AV	2
105	413T1036-32		..PIN	E,L,P ,Q,AE ,AH,A Q,AV	1
110	413T1036-40		..BOSS-SPECIAL BIN PIVOT (MALE)	E,L,P ,Q,AE ,AH,A Q,AV	1
115	413T1036-12		.BOSS-PIVOT (FEMALE)	E,L,P ,Q,AE ,AH,A Q,AV	2
120	413T1036-35		.BOSS-FEMALE	E,L,P ,Q,AE ,AH,A Q,AV	1
125	413T1036-15		.BOSS-FEMALE	E,L,P ,Q,AE ,AH,A Q,AV	1

25-28-42

 ILLUSTRATED PARTS LIST
 01.1 Page 1082K
 Mar 01/98

FIG. & ITEM	PART NO.	AIRLINE PART NUMBER	NOMENCLATURE 1234567	EFF CODE	QTY PER ASSY
03-130	413T1049-41		.COVER ASSY	E,AE, AQ	1
-130A	413T1049-63		.COVER ASSY	P	1
-135	413T1049-42		.COVER ASSY	L,AH, AV	1
-135A	413T1049-64		.COVER ASSY	Q	1
140	BACS21AP240R		..STUD	E,L,P, Q,AE, AH,A, Q,AV	4
145	BACR12AG2C		..RING	E,L,P, Q,AE, AH,A, Q,AV	4
146	BACG20ZD635		..GROMMET	E,L,A, E,AH, AQ,AV	1
150	NAS514P1032-6		.SCREW	E,L,P, Q,AE, AH,A, Q,AV	18
155	413T1042-263		.THRESHOLD	E,P,A, E,AQ	1
-160	413T1042-264		.THRESHOLD	L,Q,A, H,AV	1
162	413T1128-8		DELETED		
165	413T1128-2		DELETED		
165A	413T1128-8		.SUPPORT ASSY	E,L,P, Q,AE, AH,A, Q,AV	2
166	413T1128-14		.SUPPORT ASSY	E,L,P, Q,AE, AH,A, Q,AV	1
170	BACS12FA3K4		ATTACHING PARTS .SCREW	E,L,P, Q,AE, AH,A, Q,AV	6
175	BACS12FA3K5		.SCREW	E,L,P, Q,AE, AH,A, Q,AV	2

25-28-42

 ILLUSTRATED PARTS LIST
 01.1 Page 1082L
 Mar 01/98


BOEING
 COMPONENT
 MAINTENANCE MANUAL

FIG. & ITEM	PART NO.	AIRLINE PART NUMBER	NOMENCLATURE	EFF CODE	QTY PER ASSY
			1234567		
03-180	AN960KD10L		.WASHER	E,L,P ,Q,AE ,AH,A Q,AV	2
185	H10-3BAC		.NUT- (V15653) (SPEC BACN10JC3) (OPT NS202101-02 (V80539)) (OPT RMLH9075-3W (V72962)) (OPT T6S1032J (V71087)) (OPT VN303A02 (V92215)) (OPT 96-02 (V80539)) (OPT BRH10A3 (V52828)) (OPT ITEM 185A)	E,L,P ,Q,AE ,AH,A Q,AV	2
-185A	BACN10JC3CD		.NUT- (OPT ITEM 185)	E,L,P ,Q,AE ,AH,A Q,AV	2
190	BACR15BA3D		-----*----- ..RIVET (SIZE DETERMINE ON INST) (USED WITH ITEM 195)	E,L,P ,Q,AE ,AH,A Q,AV	6

25-28-42

 ILLUSTRATED PARTS LIST
 01.1 Page 1082M
 Mar 01/98

FIG. & ITEM	PART NO.	AIRLINE PART NUMBER	NOMENCLATURE 1234567	EFF CODE	QTY PER ASSY
03-195	NS103225-02		..NUTPLATE- (V80539) (SPEC BACN10KH3) (OPT RMF9209M3 (V72962)) (OPT F29779-3 (V15653)) (REPLD BY ITEMS 195A, 195B)	E,L,P ,Q,AE ,AH,A Q,AV	3
-195A	A4972-6-02		..NUT- (V72962) (SPEC BACN10FX16) (OPT RM52LHA4972-6-02 (V72962)) (OPT 130069 (V60119)) (OPT A11330-6-3 (V72962)) (REPLS ITEM 190) (OPT ITEM 195B)	E,L,P ,Q,AE ,AH,A Q,AV	3
-195B	SL2113-1		..NUT- (REPLS ITEM 190) (OPT ITEM 195A)	E,L,P ,Q,AE ,AH,A Q,AV	3
200	413T1128-4		DELETED		
200A	413T1128-10		..SUPPORT- (USED ON ITEM 165A)	E,L,P ,Q,AE ,AH,A Q,AV	1
201	413T1128-16		..SUPPORT- (USED ON ITEM 166)	E,L,P ,Q,AE ,AH,A Q,AV	1
202	LHA9829-10-3		DELETED		
204	413T1128-10		DELETED		
205	413T1128-1		DELETED		
205A	413T1128-7		.SUPPORT ASSY	E,L,P ,Q,AE ,AH,A Q,AV	2

25-28-42

ILLUSTRATED PARTS LIST

01.1 Page 1082N

Mar 01/98

BOEING
 COMPONENT
 MAINTENANCE MANUAL

FIG. & ITEM	PART NO.	AIRLINE PART NUMBER	NOMENCLATURE	EFF CODE	QTY PER ASSY
03-206	413T1128-13		.SUPPORT ASSY	E,L,P ,Q,AE ,AH,A Q,AV	1
207	413T1128-7		DELETED		
210	BACS12FA3K4		.SCREW	E,L,P ,Q,AE ,AH,A Q,AV	6
212	BACS12FA3K5		.SCREW	E,L,P ,Q,AE ,AH,A Q,AV	2
215	AN960KD10L		.WASHER	E,L,P ,Q,AE ,AH,A Q,AV	2
220	H10-3BAC		.NUT- (V15653) (SPEC BACN10JC3) (OPT NS202101-02 (V80539)) (OPT RMLH9075-3W (V72962)) (OPT T6S1032J (V71087)) (OPT VN303A02 (V92215)) (OPT 96-02 (V80539)) (OPT BRH10A3 (V52828)) (OPT ITEM 220A)	E,L,P ,Q,AE ,AH,A Q,AV	2
-220A	BACN10JC3CD		.NUT- (OPT ITEM 220)	E,L,P ,Q,AE ,AH,A Q,AV	2
			-----*-----		

25-28-42

ILLUSTRATED PARTS LIST
 01.1 Page 10820
 Mar 01/98

FIG. & ITEM	PART NO.	AIRLINE PART NUMBER	NOMENCLATURE 1234567	EFF CODE	QTY PER ASSY
03-225	BACR15BA3D		..RIVET (SIZE DETERMINE ON INST) (USED WITH ITEM 230)	E,L,P ,Q,AE ,AH,A Q,AV	6
230	NS103225-02		..NUTPLATE- (V80539) (SPEC BACN10KH3) (OPT RMF9209M3 (V72962)) (OPT F29779-3 (V15653)) (REPLD BY ITEMS 230A, 230B)	E,L,P ,Q,AE ,AH	3
-230A	A4972-6-02		..NUT- (V72962) (SPEC BACN10FX16) (OPT RM52LHA4972-6-02 (V72962)) (OPT 130069 (V60119)) (OPT A11330-6-3 (V72962)) (REPLS ITEM 230) (OPT ITEM 230B)	E,L,P ,Q,AE ,AH,A Q,AV	3
-230B	SL2113-1		..NUT- (REPLS ITEM 230) (OPT ITEM 230A)	E,L,P ,Q,AE ,AH,A Q,AV	3
235	413T1128-3		DELETED		
235A	413T1128-9		..SUPPORT- (USED ON ITEM 205A)	E,L,P ,Q,AE ,AH,A Q,AV	1

25-28-42

ILLUSTRATED PARTS LIST

01.1 Page 1082P

Mar 01/98


BOEING
 COMPONENT
 MAINTENANCE MANUAL

FIG. & ITEM	PART NO.	AIRLINE PART NUMBER	NOMENCLATURE 1234567	EFF CODE	QTY PER ASSY
03- 236	413T1128-15		..SUPPORT- (USED ON ITEM 206)	E,L,P ,Q,AE ,AH,A Q,AV	1
237	LHA9829-10-3		DELETED		
239	413T1128-9		DELETED		
240	BACS12FA3K5		.SCREW	E,L,P ,Q,AE ,AH,A Q,AV	4
245	413T1042-267		.ANGLE-ATTACH (OPT ITEM 245A)	E,L,P ,Q,AE ,AH,A Q,AV	1
-245A	413T1042-771		.ANGLE-ATTACH (OPT ITEM 245)	E,L,P ,Q,AE ,AH,A Q,AV	1
250	413T1042-268		.ANGLE-ATTACH (OPT ITEM 250A)	E,L,P ,Q,AE ,AH,A Q,AV	1
-250A	413T1042-772		.ANGLE-ATTACH (OPT ITEM 250)	E,L,P ,Q,AE ,AH,A Q,AV	1
255	501230-6		.LATCH ASSY- (V27045) (SPEC S413T103-6) (OPT ITEM 255B)	E,L,P ,Q,AE ,AH,A Q,AV	1
-255A	S413T103-19		DELETED		
-255B	501230-19		.LATCH ASSY- (V27045) (SPEC S413T103-19) (OPT ITEM 255) ATTACHING PARTS	E,L,P ,Q,AE ,AH,A Q,AV	1

25-28-42

 ILLUSTRATED PARTS LIST
 01.1 Page 1082Q
 Mar 01/98

FIG. & ITEM	PART NO.	AIRLINE PART NUMBER	NOMENCLATURE 1234567	EFF CODE	QTY PER ASSY
03-260	BACB30NN3K15		.BOLT	E,L,P ,Q,AE ,AH,A Q,AV	4
265	BACB30NN3K18		.BOLT	E,L,P ,Q,AE ,AH,A Q,AV	2
270 275	AN960KD10L H10-3BAC		DELETED .NUT- (V15653) (SPEC BACN10JC3) (OPT NS202101-02 (V80539)) (OPT RMLH9075-3W (V72962)) (OPT T6S1032J (V71087)) (OPT VN303A02 (V92215)) (OPT 96-02 (V80539)) (OPT BRH10A3 (V52828)) (OPT ITEM 275A)	E,L,P ,Q,AE ,AH,A Q,AV	4
275A	BACN10JC3CD		.NUT- (OPT ITEM 275)	E,L,P ,Q,AE ,AH,A Q,AV	4

25-28-42

 ILLUSTRATED PARTS LIST
 01.1 Page 1082R
 Mar 01/98


BOEING
 COMPONENT
 MAINTENANCE MANUAL

FIG. & ITEM	PART NO.	AIRLINE PART NUMBER	NOMENCLATURE 1234567	EFF CODE	QTY PER ASSY
03-277	A4972-6-02		.NUT- (V72962) (SPEC BACN10FX16) (OPT RM52LHA4972-6-02 (V72962)) (OPT 130069 (V60119)) (OPT A11330-6-3 (V72962)) -----*	E,L,P ,Q,AE ,AH,A Q,AV	2
280	BACF12FA3K3		.SCREW	E,L,P ,Q,AE ,AH,A Q,AV	22
285	413T1039-29		.ANGLE-ATTACH	E,L,P ,Q,AE ,AH,A Q,AV	1
290	413T1039-30		.ANGLE-ATTACH	E,L,P ,Q,AE ,AH,A Q,AV	1
295	413T1039-12		.ANGLE ASSY	E,L,P ,Q,AE ,AH,A Q,AV	2
300	BACS12FA3K3		ATTACHING PARTS .SCREW	E,L,P ,Q,AE ,AH,A Q,AV	6
305	BACR15BA3AD		-----* ..RIVET- (SIZE DETERMINE ON INST)	E,L,P ,Q,AE ,AH,A Q,AV	4
310	82-99-342-15		..RECEPTACLE- (V94222) (SPEC BACR11AM2) (OPT 2-295 (V94222))	E,L,P ,Q,AE ,AH,A Q,AV	2
315	BACW10P79R40		..WASHER	E,L,P ,Q,AE ,AH,A Q,AV	1

25-28-42

 ILLUSTRATED PARTS LIST
 01.1 Page 1082S
 Mar 01/98

FIG. & ITEM	PART NO.	AIRLINE PART NUMBER	NOMENCLATURE 1234567	EFF CODE	QTY PER ASSY
03-317	BACW10P111R60		..WASHER	E,L,P ,Q,AE ,AH,A Q,AV	2
320	413T1039-15		..ANGLE	E,L,P ,Q,AE ,AH,A Q,AV	1
325	413T1049-55		.BULKHEAD ASSY	E,P,A E,AQ	1
-330	413T1049-56		.BULKHEAD ASSY	L,Q,A H,AV	1
335	BACS12FA3K3		ATTACHING PARTS .SCREW	E,L,P ,Q,AE ,AH,A Q,AV	11
340	SL618-3A		-----*----- DELETED		
340A	SL6224-3A		..INSERT- (V97393)	E,L,P ,Q,AE ,AH,A Q,AV	14
345	BACS12FA3K3		.SCREW	E,L,P ,Q,AE ,AH,A Q,AV	11
350	413T1039-31		.ANGLE	E,P,A E,AQ	1
-355	413T1039-32		.ANGLE	L,Q,A H,AV	1
360	413T1042-270		.ANGLE-ATTACH	E,L,P ,Q,AE ,AH,A Q,AV	1
365	413T1042-271		.ANGLE-ATTACH	E,L,P ,Q,AE ,AH,A Q,AV	1
370	BACR15DA4		.RIVET- (SIZE DETERMINE ON INST)	E,L,P ,Q,AE ,AH,A Q,AV	1

25-28-42

 ILLUSTRATED PARTS LIST
 01.1 Page 1082T
 Mar 01/98


BOEING
 COMPONENT
 MAINTENANCE MANUAL

FIG. & ITEM	PART NO.	AIRLINE PART NUMBER	NOMENCLATURE 1234567	EFF CODE	QTY PER ASSY
03-375	413T1039-26		.CLIP	E,L,P ,Q,AE ,AH,A Q,AV	1
380	413T1049-51		DELETED		
380A	413T1049-51SP		.BIN ASSY-LWR	E,P,A E,AQ	1
-380B	413T1049-52SP		.BIN ASSY-LWR	L,Q,A H,AV	1
-385	413T1049-52		DELETED		
390	NAS1836-3-08M		DELETED		
390A	NAS1836-3-07		..INSERT	E,L,P ,Q,AE ,AH,A Q,AV	4
395	SL618-3A		..INSERT- (V97393)	E,L,P ,Q,AE ,AH,A Q,AV	42
400	413T1042-22		.JOINT-SECT.	E,L,P ,Q,AE ,AH,A Q,AV	1
405	413T1048-37		.BIN ASSY-UPR	E,P,A E,AQ	1
-410	413T1048-38		.BIN ASSY-UPR	L,Q,A H,AV	1
415	NAS1834A3-290		..INSERT	E,L,P ,Q,AE ,AH,A Q,AV	2

25-28-42

 ILLUSTRATED PARTS LIST
 01.1 Page 1082U
 Mar 01/98

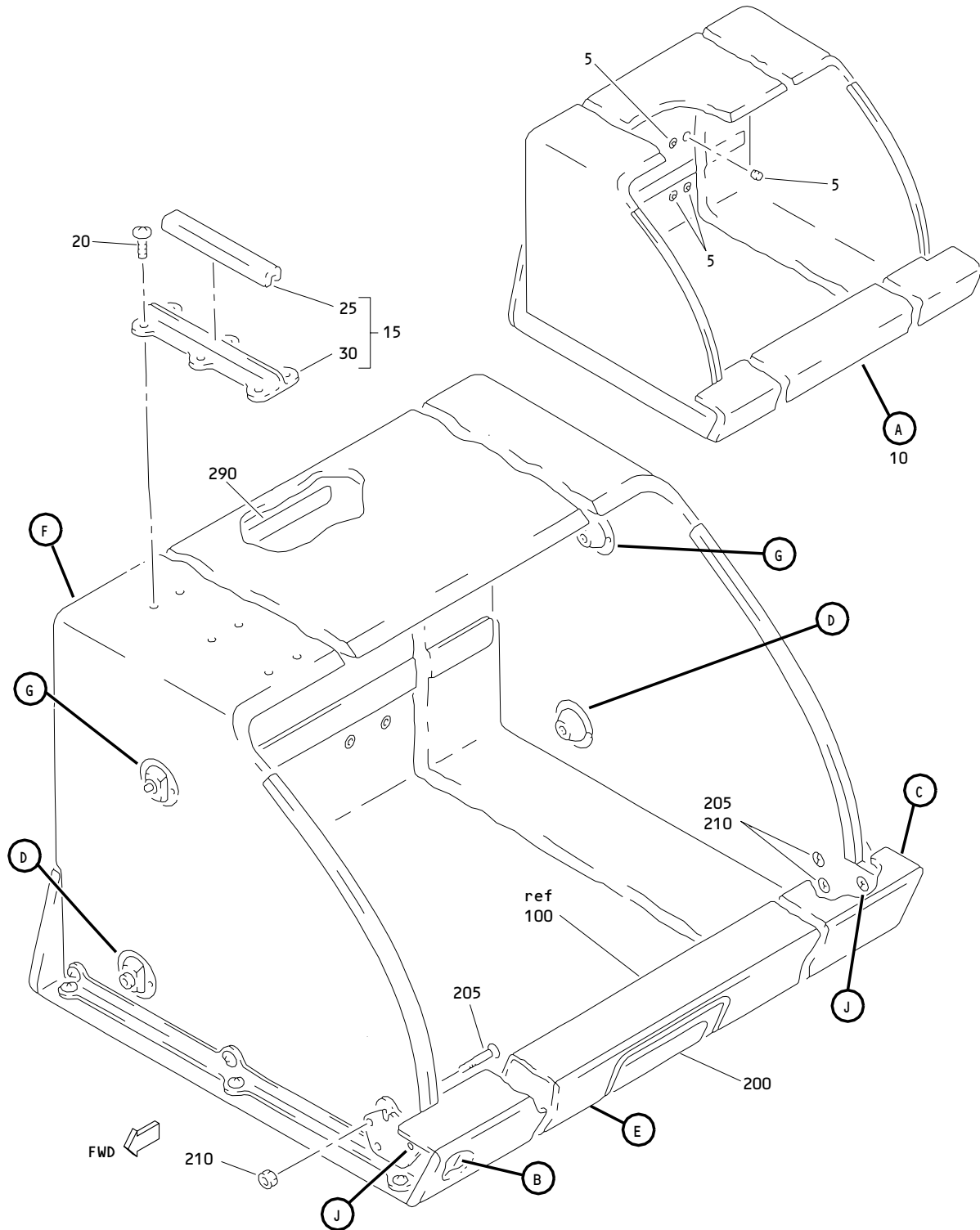
FIG. & ITEM	PART NO.	AIRLINE PART NUMBER	NOMENCLATURE 1234567	EFF CODE	QTY PER ASSY
03-420	413T1042-275		..INSERT- (ITEM 420 OPT TO ITEM 420A ONLY WHEN ITEM 420A IS NOT AVAILABLE)	E,L,P ,Q,AE ,AH,A Q,AV	4
-420A	SL604-3-290ASP4		..INSERT- (V97393) (ITEM 420 OPT TO ITEM 420A ONLY WHEN ITEM 420A IS NOT AVAILABLE)	E,L,P ,Q,AE ,AH,A Q,AV	4
425	SL618-3A		..INSERT- (V97393)	E,L,P ,Q,AE ,AH,A Q,AV	30
430	BAC27TPPS0252		.DECAL-BIN MUST BE LATCHED CLOSED LOAD LIMIT 40 LB/ 18 KG	E,L,P ,Q,AE ,AV	1
-430A	BAC27TPPS2173		DELETED		
-430B	BAC29PPS2173		.DECAL-LATCH BIN CLOSED	AE,AH	1
435	BAC27TPPS2179		DELETED		
435A	BAC29PPS2179		.DECAL-LOAD LIMIT 40 LB/ 18 KG	AE,AH	1

25-28-42

ILLUSTRATED PARTS LIST

01.1 Page 1082V

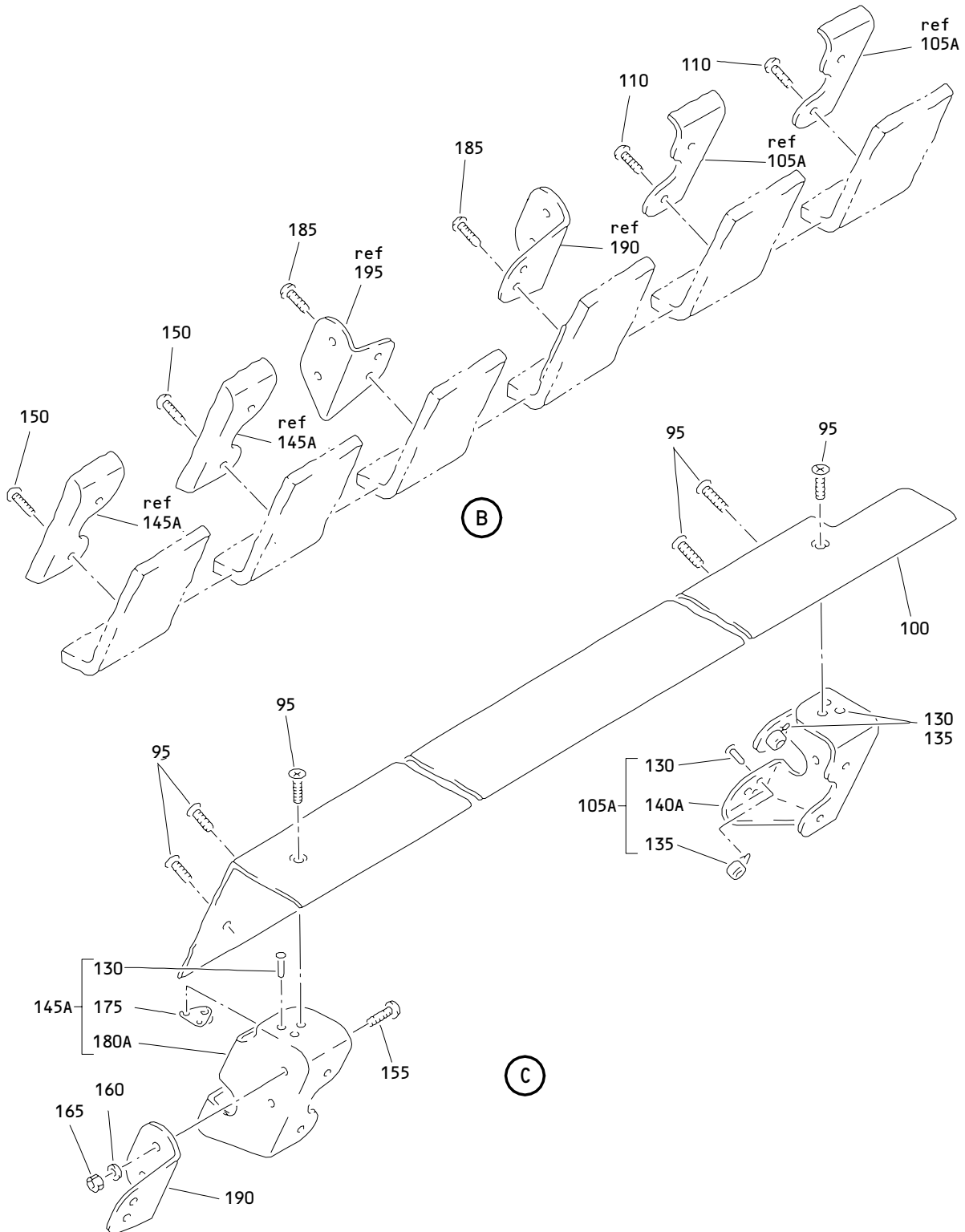
Mar 01/98



Center Overhead Stowage Bin Assembly
 Figure 4 (Sheet 1)

25-28-42

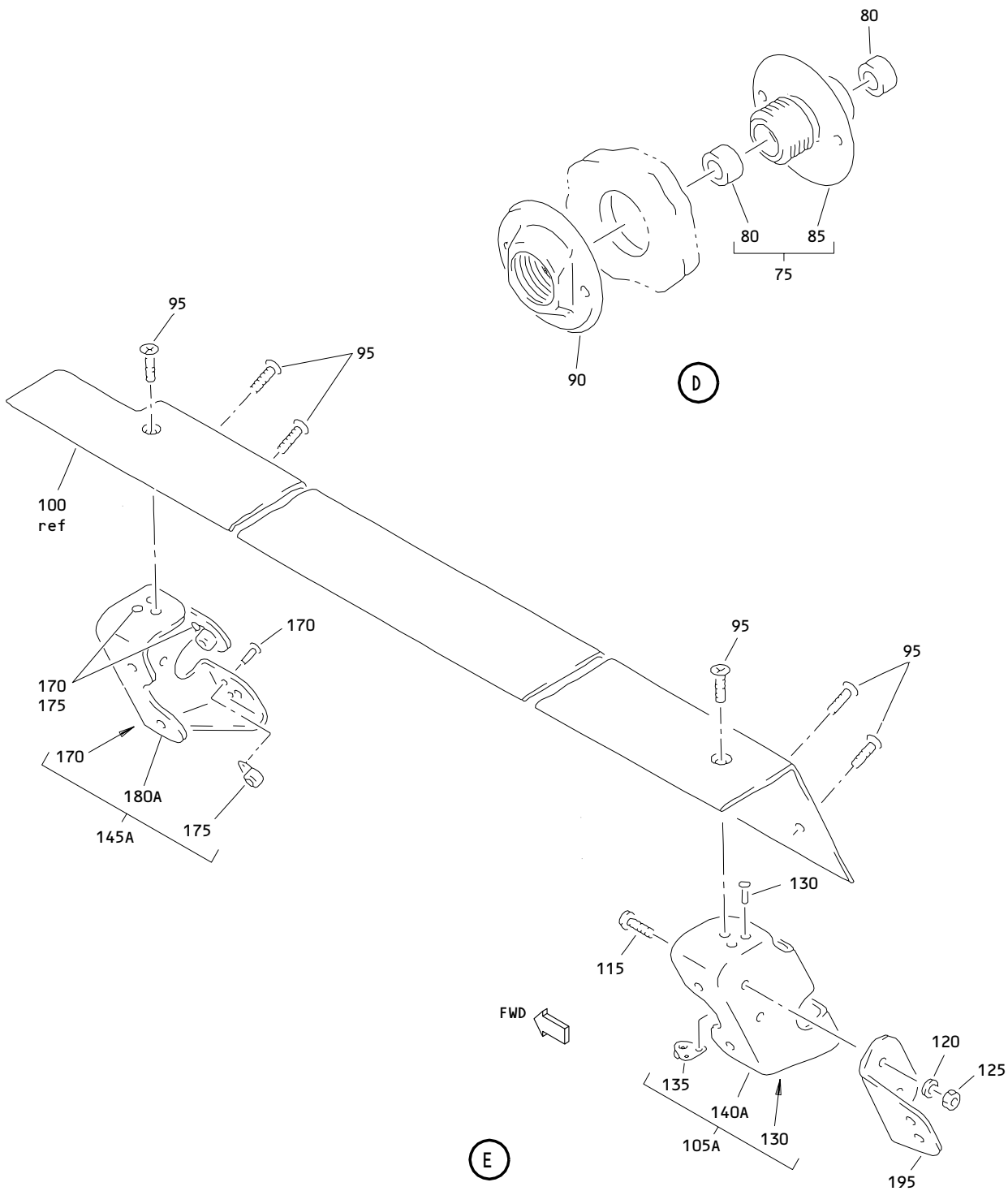
ILLUSTRATED PARTS LIST
 01.1 Page 1082X
 Mar 01/98



Center Overhead Storage Bin Assembly
 Figure 4 (Sheet 2)

25-28-42

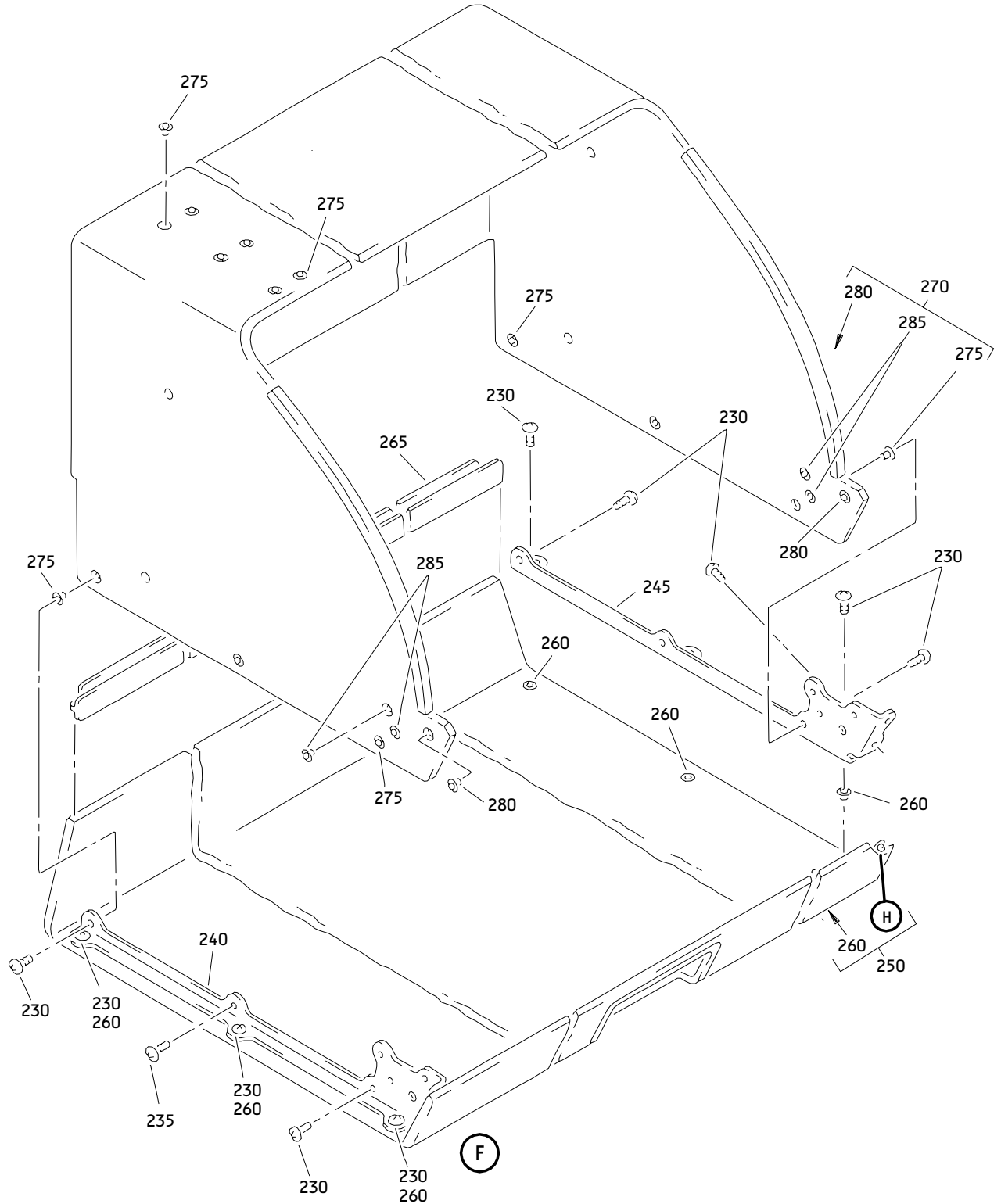
ILLUSTRATED PARTS LIST
 01.1 Page 1082Y
 Mar 01/98



Center Overhead Stowage Bin Assembly
 Figure 4 (Sheet 3)

25-28-42

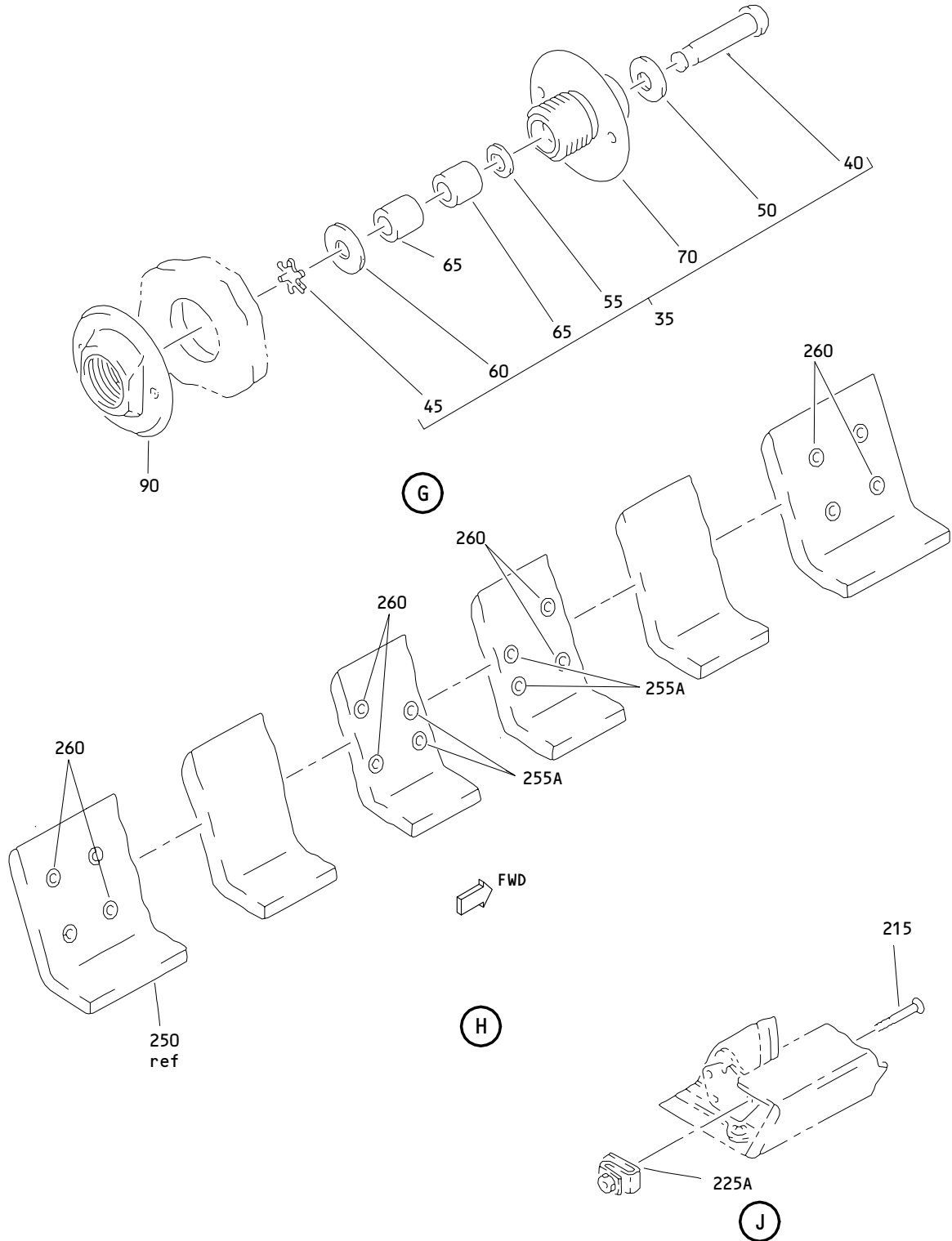
ILLUSTRATED PARTS LIST
 01.1 Page 1082Z
 Mar 01/98



Center Overhead Storage Bin Assembly
Figure 4 (Sheet 4)

25-28-42

ILLUSTRATED PARTS LIST
01.1 Page 1083
Mar 01/98



Center Overhead Storage Bin Assembly
 Figure 4 (Sheet 5)

25-28-42

ILLUSTRATED PARTS LIST
 01.1 Page 1084
 Mar 01/98


BOEING
 COMPONENT
 MAINTENANCE MANUAL

FIG. & ITEM	PART NO.	AIRLINE PART NUMBER	NOMENCLATURE 1234567	EFF CODE	QTY PER ASSY
04- -1	413T1047-35SP		BIN ASSY-CTR OVERHEAD STOWAGE	N	RF
5	SL618-3A		.INSERT- (V97393)	N	4
10	413T1047-23SP		.BIN ASSY	N	1
15	413T1042-24		..RESTRAINT ASSY ATTACHING PARTS	N	1
20	BACS12FA3K3		..SCREW -----*-----	N	6
25	413T1042-41		...RUBBER	N	1
30	413T1042-25		...TEE	N	1
35	413T1036-41		..BOSS ASSY	N	2
40	CA18271-9		...PIN- (V26390)	N	1
45	CA1825		...WASHER-RETAINING (V26390)	N	1
50	413T1060-6		...WASHER	N	1
55	413T1060-7		...WASHER	N	1
60	413T1060-5		...WASHER	N	1
65	Y47		...BEARING-NEEDLE (V60380)	N	2
70	413T1036-43		...BOSS-UPR PIVOT (MALE)	N	1
75	413T1036-42		..BOSS ASSY	N	2
80	501-0404-008		...BUSHING- (V77896)	N	2
85	413T1036-44		...BOSS-LWR PIVOT (MALE)	N	1
90	413T1036-12		..BOSS-PIVOT (FEMALE)	N	4
95	NAS514P1032-6		..SCREW	N	18
100	413T1042-265		..THRESHOLD	N	1
102	413T1128-8		DELETED		
105	413T1128-2		DELETED		
105A	413T1128-8		..SUPPORT ASSY ATTACHING PARTS	N	2
110	BACS12FA3K4		..SCREW	N	2
115	BACS12FA3K5		..SCREW	N	2
120	AN960KD10L		..WASHER	N	2

25-28-42

 ILLUSTRATED PARTS LIST
 01.1 Page 1084A
 Mar 01/98

FIG. & ITEM	PART NO.	AIRLINE PART NUMBER	NOMENCLATURE 1234567	EFF CODE	QTY PER ASSY
04-125	H10-3BAC		..NUT- (V15653) (SPEC BACN10JC3) (OPT NS202101-02 (V80539)) (OPT RMLH9075-3W (V72962)) (OPT T6S1032J (V71087)) (OPT VN303A02 (V92215)) (OPT 96-02 (V80539)) (OPT BRH10A3 (V52828)) (OPT ITEM 125A)	N	2
-125A	BACN10JC3CD		..NUT- (OPT ITEM 125) -----*	N	2
130	BACR15BA3D		...RIVET (SIZE DETERMINE ON INST) (USED WITH ITEM 135)	N	6
135	NS103225-02		...NUTPLATE- (V80539) (SPEC BACN10KH3) (OPT RMF9209M3 (V72962)) (OPT F29779-3 (V15653)) (REPLD BY ITEMS 135A, 135B)	N	3
-135A	A4972-6-02		...NUT- (V72962) (SPEC BACN10FX16) (OPT RM52LHA4972-6-02 (V72962)) (OPT 130069 (V60119)) (OPT A11330-6-3 (V72962)) (REPLS ITEM 135) (OPT ITEM 135B)	N	3
-135B	SL2113-1		...NUT- (REPLS ITEM 135) (OPT ITEM 135A)	N	3

25-28-42

 ILLUSTRATED PARTS LIST
 01.1 Page 1084B
 Mar 01/98


BOEING
 COMPONENT
 MAINTENANCE MANUAL

FIG. & ITEM	PART NO.	AIRLINE PART NUMBER	NOMENCLATURE 1234567	EFF CODE	QTY PER ASSY
04-					
140	413T1128-4		DELETED		
140A	413T1128-10		...SUPPORT	N	1
142	LHA9829-10-3		DELETED		
144	413T1128-10		DELETED		
145	413T1128-1		DELETED		
145A	413T1128-7		..SUPPORT ASSY	N	2
147	413T1128-7		DELETED		
			ATTACHING PARTS		
150	BACS12FA3K4		..SCREW	N	2
155	BACS12FA3K5		..SCREW	N	2
160	AN960KD10L		..WASHER	N	2
165	H10-3BAC		..NUT-	N	2
			(V15653)		
			(SPEC BACN10JC3)		
			(OPT NS202101-02		
			(V80539))		
			(OPT RMLH9075-3W		
			(V72962))		
			(OPT T6S1032J		
			(V71087))		
			(OPT VN303A02		
			(V92215))		
			(OPT 96-02		
			(V80539))		
			(OPT BRH10A3		
			(V52828))		
			(OPT ITEM 165A)		
-165A	BACN10JC3CD		..NUT-	N	2
			(OPT ITEM 165)		
			-----*		
170	BACR15BA3D		...RIVET	N	6
			(SIZE DETERMINE ON INST)		
			(USED WITH ITEM 175)		

25-28-42

 ILLUSTRATED PARTS LIST
 01.1 Page 1084C
 Mar 01/98

FIG. & ITEM	PART NO.	AIRLINE PART NUMBER	NOMENCLATURE 1234567	EFF CODE	QTY PER ASSY
04-175	NS103225-02		...NUTPLATE- (V80539) (SPEC BACN10KH3) (OPT RMF9209M3 (V72962)) (OPT F29779-3 (V15653)) (REPLD BY ITEMS 175A, 175B)	N	3
-175A	A4972-6-02		...NUT- (V72962) (SPEC BACN10FX16) (OPT RM52LHA4972-6-02 (V72962)) (OPT 130069 (V60119)) (OPT A11330-6-3 (V72962)) (REPLS ITEM 175) (OPT ITEM 175B)	N	3
-175B	SL2113-1		...NUT- (REPLS ITEM 175) (OPT ITEM 175A)	N	3
180	413T1128-3		DELETED		
180A	413T1128-9		...SUPPORT	N	1
182	LHA9829-10-3		DELETED		
184	413T1128-9		DELETED		
185	BACS12FA3K5		..SCREW	N	4
190	413T1042-267		..ANGLE-ATTACH (OPT ITEM 190A)	N	1
-190A	413T1042-771		..ANGLE-ATTACH (OPT ITEM 190)	N	1
195	413T1042-268		..ANGLE-ATTACH (OPT ITEM 195A)	N	1

25-28-42

ILLUSTRATED PARTS LIST

01.1 Page 1084D

Mar 01/98


BOEING
 COMPONENT
 MAINTENANCE MANUAL

FIG. & ITEM	PART NO.	AIRLINE PART NUMBER	NOMENCLATURE 1234567	EFF CODE	QTY PER ASSY
04- -195A	413T1042-772		..ANGLE-ATTACH (OPT ITEM 195)	N	1
200	501230-7		..LATCH ASSY- (V27045) (SPEC S413T103-7) (OPT ITEM 200B)	N	1
-200A -200B	S413T103-20 501230-20		DELETED ..LATCH ASSY- (V27045) (SPEC S413T103-20) (OPT ITEM 200)	N	1
205 210	BACB30NN3K15 H10-3BAC		ATTACHING PARTS ..BOLT ..NUT- (V15653) (SPEC BACN10JC3) (OPT NS202101-02 (V80539)) (OPT RMLH9075-3W (V72962)) (OPT T6S1032J (V71087)) (OPT VN303A02 (V92215)) (OPT 96-02 (V80539)) (OPT BRH10A3 (V52828)) (OPT ITEM 210A)	N N	4 4
-210A	BACN10JC3CD		..NUT- (OPT ITEM 210)	N	4

25-28-42

 ILLUSTRATED PARTS LIST
 01.1 Page 1084E
 Mar 01/98

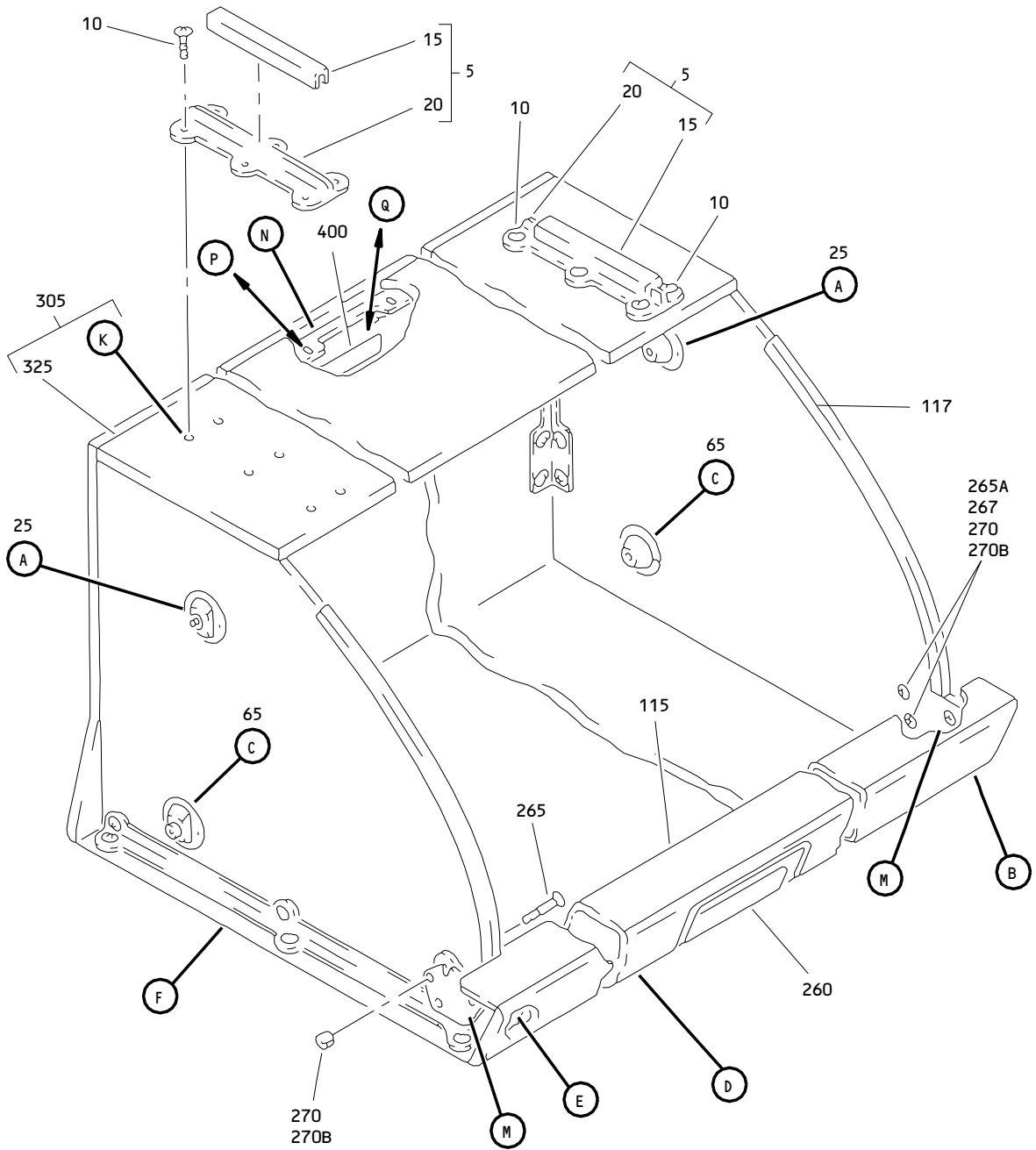
FIG. & ITEM	PART NO.	AIRLINE PART NUMBER	NOMENCLATURE 1234567	EFF CODE	QTY PER ASSY
04-					
215	BACB30NN3K18		..BOLT	N	2
220	AN96OKD10L		DELETED		
225	H10-3BAC		DELETED		
225A	A4972-6-02		..NUT-	N	2
			(V72962)		
			(SPEC BACN10FX16)		
			(OPT RM52LHA4972-6-02		
			(V72962))		
			(OPT 130069		
			(V60119))		
			(OPT A11330-6-3		
			(V72962))		
			-----*-----		
230	BACS12FA3K3		..SCREW	N	15
235	BACS12FA3K3		..SCREW	N	1
240	413T1039-27		..ANGLE-ATTACH	N	1
245	413T1039-28		..ANGLE-ATTACH	N	1
250	413T1049-43SP		..BIN ASSY-LWR	N	1
255	NAS1836-3-08M		DELETED		
255A	NAS1836-3-07		...INSERT	N	4
260	SL618-3A		...INSERT-	N	18
			(V97393)		
265	413T1042-20		..JOINT-SECT.	N	1
270	413T1048-29		..BIN ASSY-UPR	N	1
275	SL618-3A		...INSERT-	N	12
			(V97393)		
280	NAS1834A3-290		...INSERT	N	2
285	413T1042-275		...INSERT-	N	4
			(ITEM 285 OPT TO ITEM		
			285A ONLY WHEN ITEM 285A		
			IS NOT AVAILABLE)		
-285A	SL604-3-290ASP4		...INSERT-	N	4
			(V97393)		
			(ITEM 285 OPT TO ITEM		
			285A ONLY WHEN ITEM 285A		
			IS NOT AVAILABLE)		
290	BAC27TPPS0252		..DECAL-BIN MUST BE LATCHED	N	1
			CLOSED LOAD LIMIT		
			40 LB/18 KG		

25-28-42

ILLUSTRATED PARTS LIST

01.1 Page 1084F

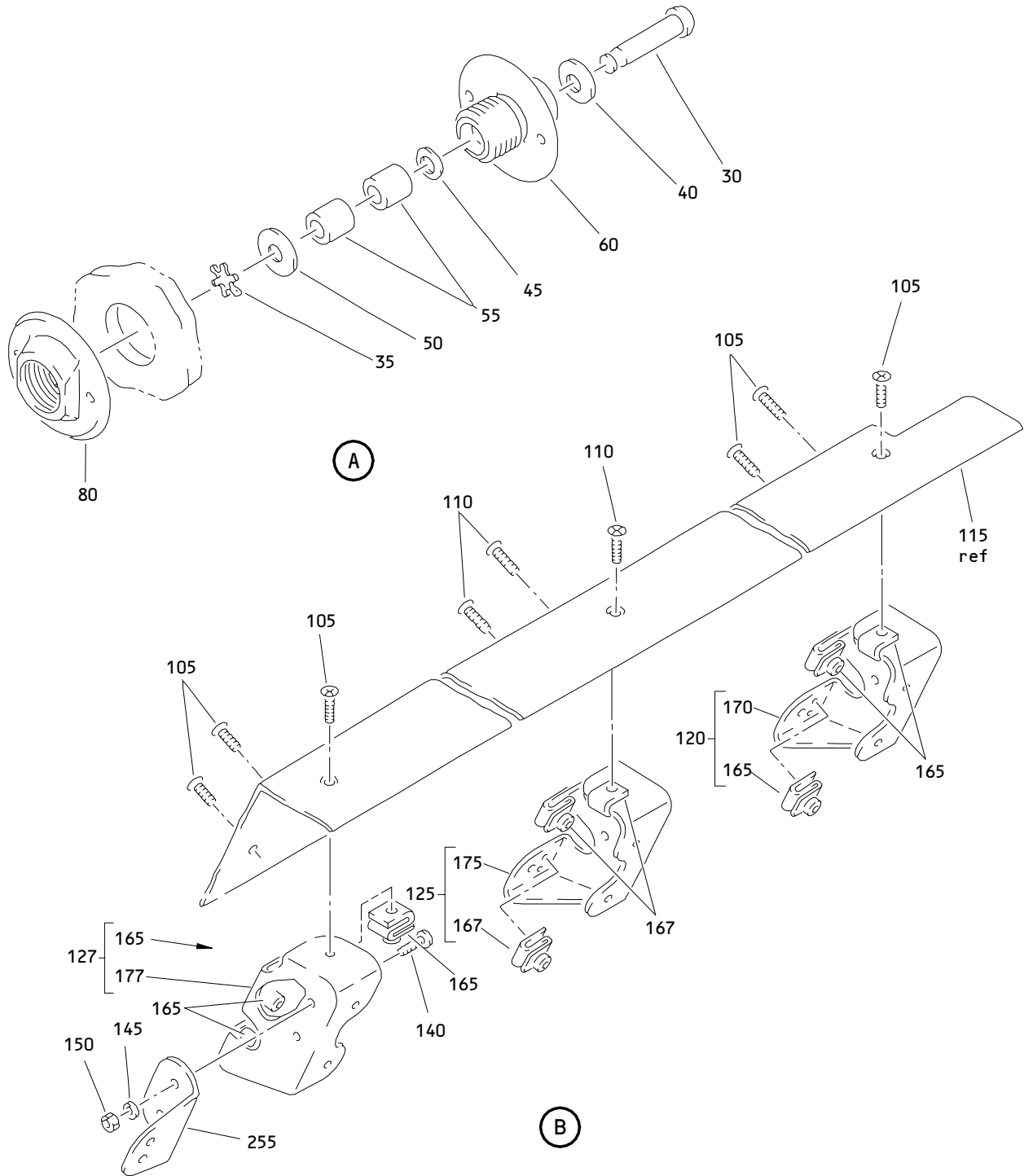
Mar 01/98



Center Overhead Stowage Bin Assembly
 Figure 5 (Sheet 1)

25-28-42

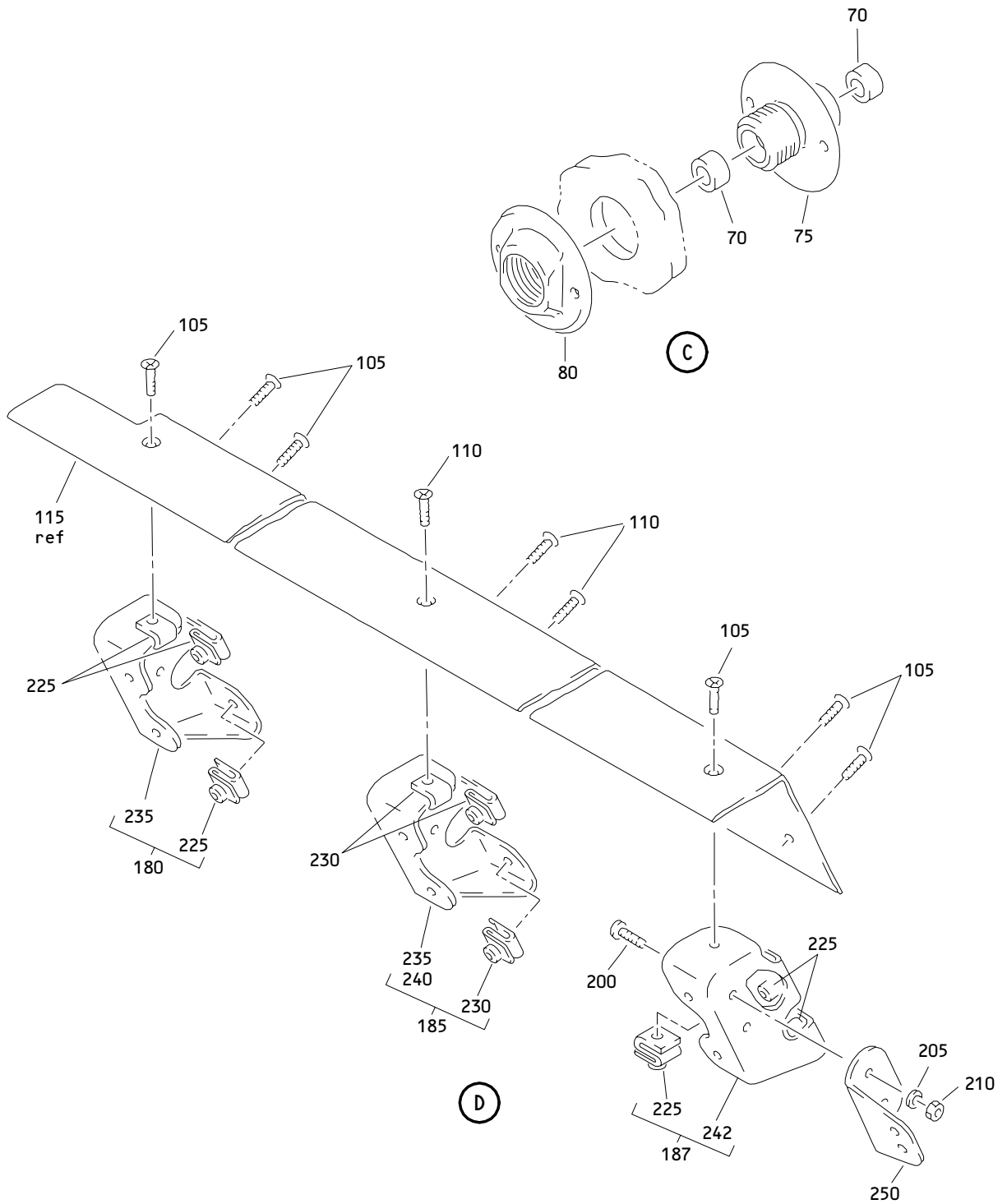
ILLUSTRATED PARTS LIST
 01.1 Page 1084G
 Mar 01/98



Center Overhead Storage Bin Assembly
 Figure 5 (Sheet 2)

25-28-42

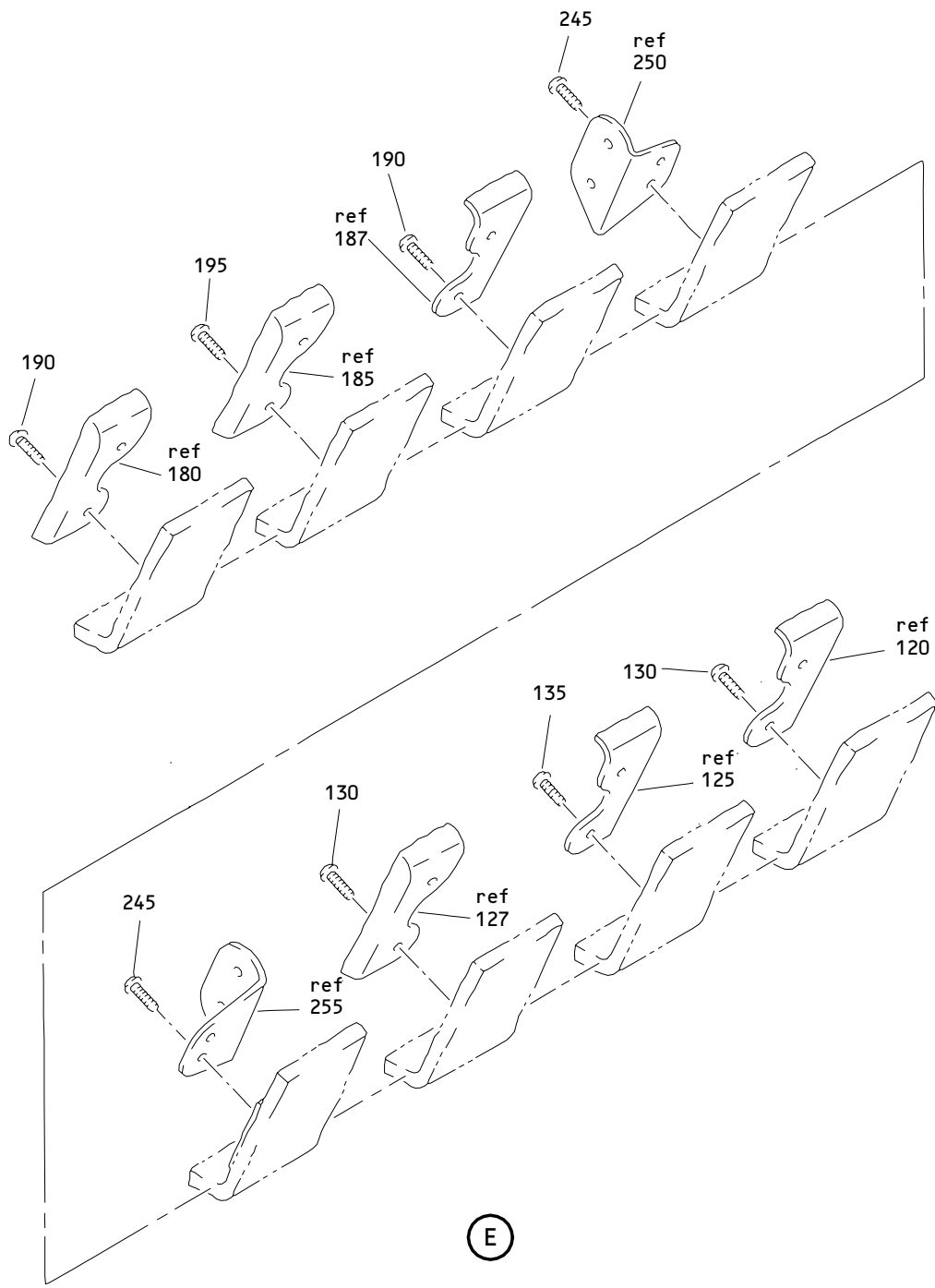
ILLUSTRATED PARTS LIST
 01.1 Page 1084H
 Mar 01/98



Center Overhead Storage Bin Assembly
Figure 5 (Sheet 3)

25-28-42

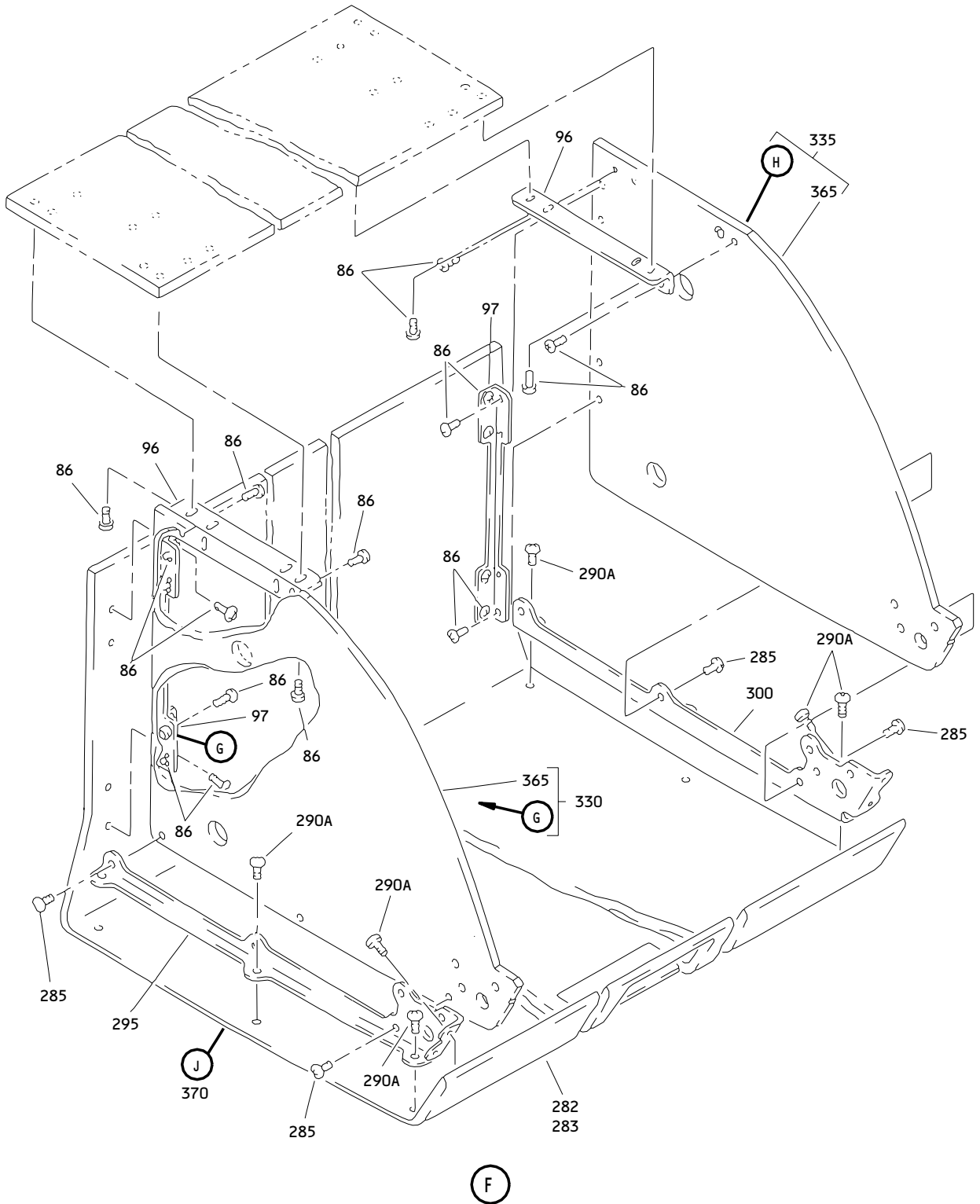
ILLUSTRATED PARTS LIST
01.1 Page 1084I
Mar 01/98



Center Overhead Stowage Bin Assembly
Figure 5 (Sheet 4)

25-28-42

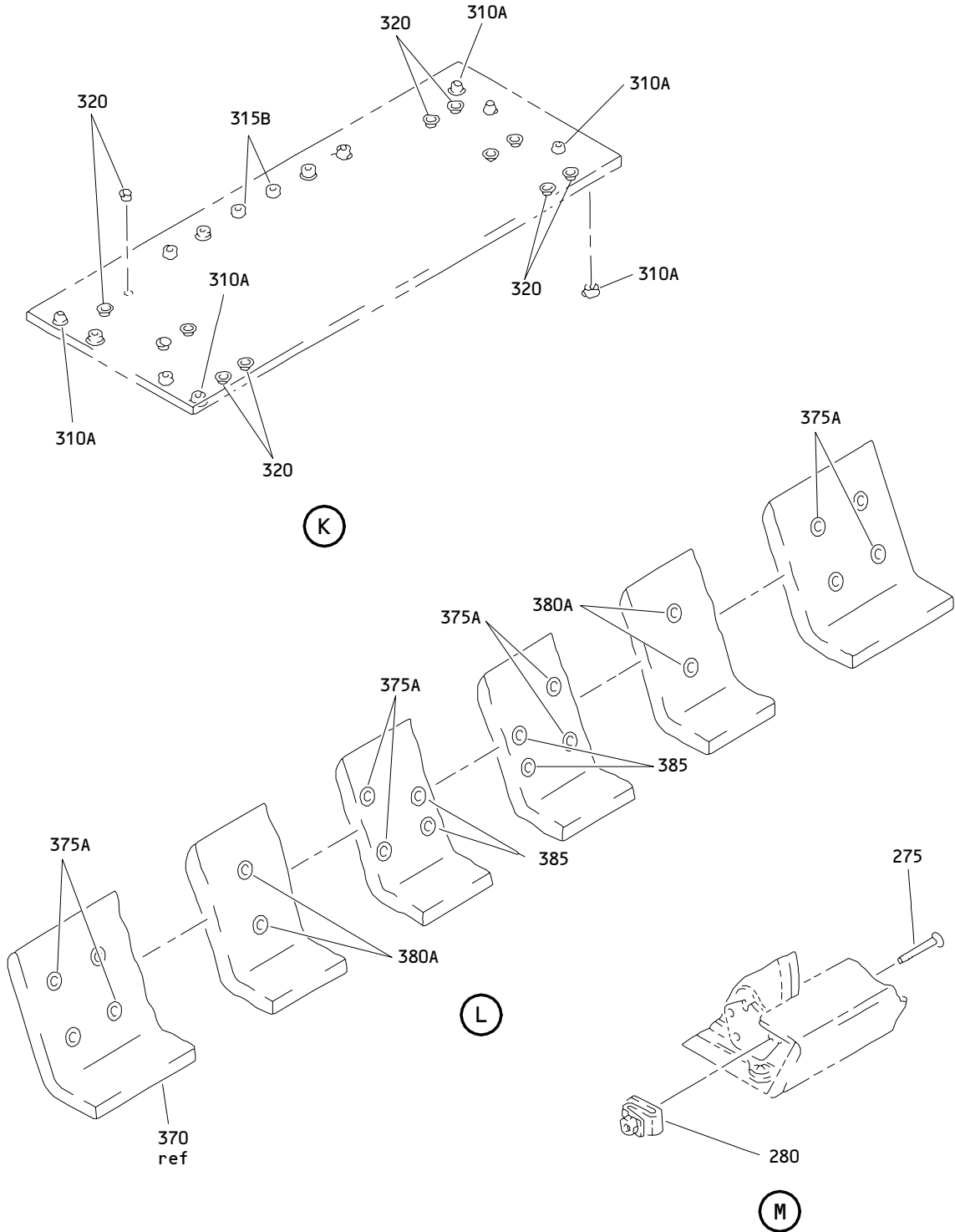
ILLUSTRATED PARTS LIST
01.1 Page 1084J
Mar 01/98



Center Overhead Stowage Bin Assembly
Figure 5 (Sheet 5)

25-28-42

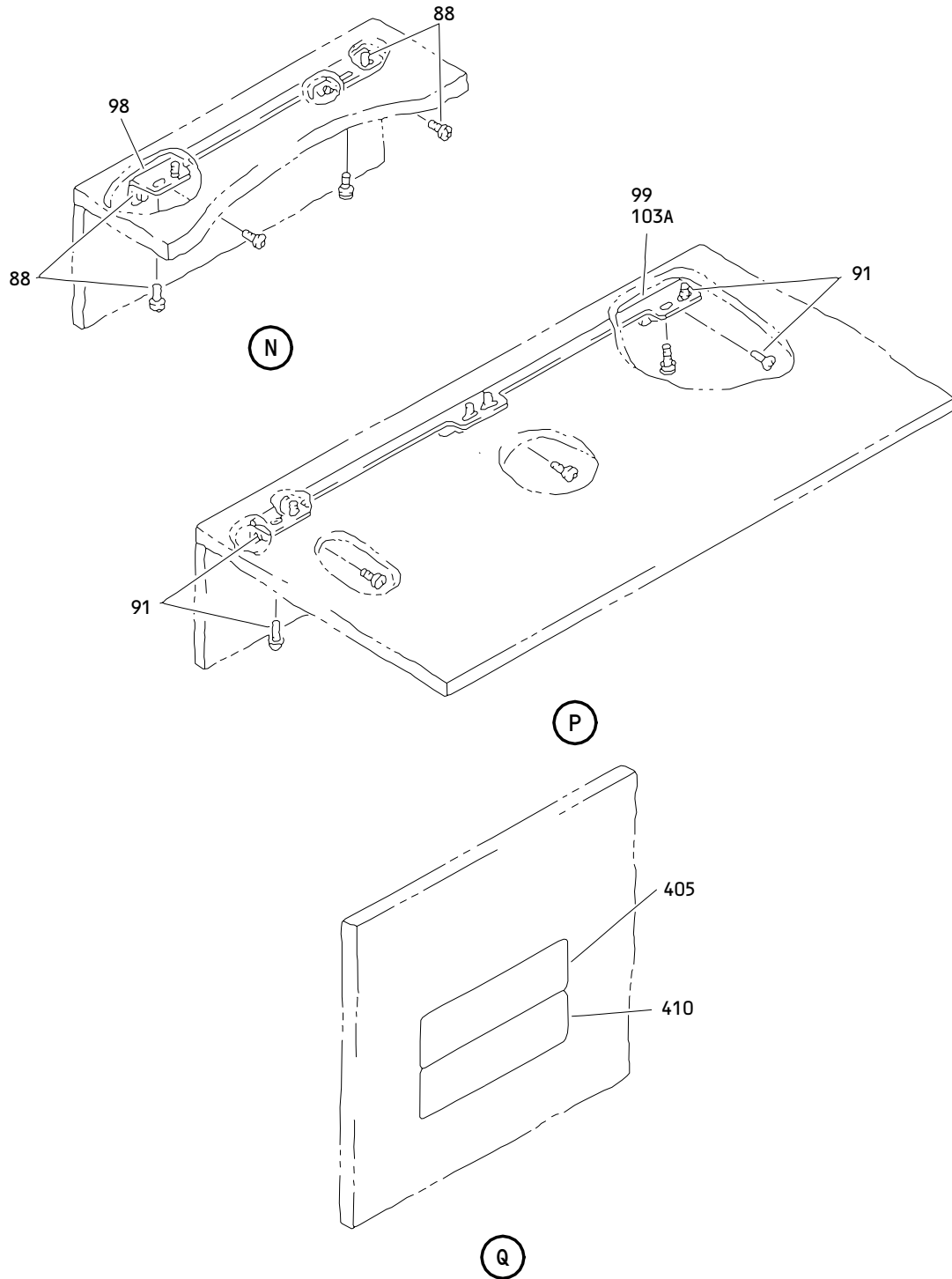
ILLUSTRATED PARTS LIST
01.1 Page 1084K
Mar 01/98



Center Overhead Stowage Bin Assembly
Figure 5 (Sheet 7)

25-28-42

ILLUSTRATED PARTS LIST
01.1 Page 1084M
Mar 01/98



Center Overhead Stowage Bin Assembly
Figure 5 (Sheet 8)

25-28-42

ILLUSTRATED PARTS LIST
01.1 Page 1084N
Mar 01/98


BOEING
 COMPONENT
 MAINTENANCE MANUAL

FIG. & ITEM	PART NO.	AIRLINE PART NUMBER	NOMENCLATURE 1234567	EFF CODE	QTY PER ASSY
05- -1	413T1047-110SP		BIN ASSY-CTR OVERHEAD STOWAGE	BS	RF
-1A	413T1047-111SP		BIN ASSY-CTR OVERHEAD STOWAGE	BT	RF
-1B	417T1047-115SP		DELETED		
-1C	413T1047-116SP		BIN ASSY-CTR OVERHEAD STOWAGE	BY	RF
-1D	413T1047-133SP		BIN ASSY-CTR OVERHEAD STOWAGE	BZ	RF
-1E	413T1047-134SP		DELETED		
-1F	413T1047-136SP		BIN ASSY-CTR OVERHEAD STOWAGE	CB	RF
-1G	413T1047-115SP		BIN ASSY-CTR OVERHEAD STOWAGE	BX	RF
-1H	413T1047-102SP		BIN ASSY-CTR OVERHEAD STOWAGE	CF	RF
-1J	413T1047-104SP		BIN ASSY-CTR OVERHEAD STOWAGE	CG	RF
-1K	413T1047-105SP		BIN ASSY-CTR OVERHEAD STOWAGE	CH	RF
-1L	413T1047-106SP		BIN ASSY-CTR OVERHEAD STOWAGE	CJ	RF
-1M	413T1047-117SP		BIN ASSY-CTR OVERHEAD STOWAGE	CK	RF
-1N	413T1047-118SP		BIN ASSY-CTR OVERHEAD STOWAGE	CL	RF
-1P	413T1047-119SP		BIN ASSY-CTR OVERHEAD STOWAGE	CM	RF
-1Q	413T1047-120SP		BIN ASSY-CTR OVERHEAD STOWAGE	CN	RF
-1R	413T1047-123SP		BIN ASSY-CTR OVERHEAD STOWAGE	CP	RF
-1S	413T1047-98SP		BIN ASSY-CTR OVERHEAD STOWAGE	CU	RF
-1T	413T1047-140SP		BIN ASSY-CTR OVERHEAD STOWAGE	CV	RF
-1U	413T1047-97SP		BIN ASSY-CTR OVERHEAD STOWAGE	CY	RF
-1V	413T1047-122SP		BIN ASSY-CTR OVERHEAD STOWAGE	DA	RF
-1W	413T1047-142SP		BIN ASSY-CTR OVERHEAD STOWAGE	DB	RF
-1X	413T1047-143SP		BIN ASSY-CTR OVERHEAD STOWAGE	DC	RF

25-28-42

 ILLUSTRATED PARTS LIST
 01.1 Page 10840
 Mar 01/98

FIG. & ITEM	PART NO.	AIRLINE PART NUMBER	NOMENCLATURE 1234567	EFF CODE	QTY PER ASSY
05- -1Y	413T1047-144SP		BIN ASSY-CTR OVERHEAD STOWAGE	DD	RF
-1Z	413T1047-145SP		BIN ASSY-CTR OVERHEAD STOWAGE (LH)	DE	RF
-2	413T1047-164SP		BIN ASSY-CTR OVERHEAD STOWAGE	DS	RF
-2A	413T1047-165SP		BIN ASSY-CTR OVERHEAD STOWAGE	DT	RF
-2B	413T1047-103SP		BIN ASSY-CTR OVERHEAD STOWAGE	DU	RF
-2C	413T1047-166SP		BIN ASSY-CTR OVERHEAD STOWAGE	DV	RF
-2D	413T1047-175SP		BIN ASSY-CTR OVERHEAD STOWAGE, 44 IN. WITH EMER EQPT PROVISIONS	EC	RF
-3	413T1047-146SP		BIN ASSY-CTR OVERHEAD STOWAGE (RH)	DF	RF
-3A	413T1047-149SP		DELETED		
-3B	413T1047-150SP		DELETED		
-3C	413T1047-151SP		BIN ASSY-CTR OVERHEAD STOWAGE	DJ	RF
-3D	413T1047-152SP		BIN ASSY-CTR OVERHEAD STOWAGE	DK	RF
-3E	413T1047-153SP		BIN ASSY-CTR OVERHEAD STOWAGE	DL	RF
-3F	413T1047-147SP		BIN ASSY-CTR OVERHEAD STOWAGE	DW	RF
5	413T1042-24		.RESTRAINT ASSY	BS,BT ,BX-B Z,CB, CF-CP ,CU CV,CY ,DA-D F,D J-DL, DS-DW EC-DW	2
			ATTACHING PARTS		

25-28-42

 ILLUSTRATED PARTS LIST
 01.1 Page 1084P
 Mar 01/98

BOEING
 COMPONENT
 MAINTENANCE MANUAL

FIG. & ITEM	PART NO.	AIRLINE PART NUMBER	NOMENCLATURE	EFF CODE	QTY PER ASSY
05-10	BACS12FA3K3		1234567 . SCREW	BS,BT ,BX-B Z,CB, CF-CP ,CU CV,CY ,DA-D F,D J-DL, DS-DU DW,EC	12
15	413T1042-41		-----*----- .. RUBBER	BS,BT ,BX-B Z,CB, CF-CP ,CU CV,CY ,DA-D F,D J-DL, DS-DW EC-DW	1
20	413T1042-25		.. TEE	BS,BT ,BX-B Z,CB, CF-CP ,CU CV,CY ,DA-D F,D J-DL, DS-DW EC-DW	1

25-28-42

ILLUSTRATED PARTS LIST
 01.1 Page 1084Q
 Mar 01/98

FIG. & ITEM	PART NO.	AIRLINE PART NUMBER	NOMENCLATURE 1234567	EFF CODE	QTY PER ASSY
05-25	413T1036-41		.BOSS ASSY	BS,BT ,BX-B Z,CB, CF-CP ,CU CV,CY ,DA-D F,D J-DL, DS-DW EC-DW	2
30	CA18271-9		..PIN- (V26390)	BS,BT ,BX-B Z,CB, CF-CP ,CU CV,CY ,DA-D F,D J-DL, DS-DW EC-DW	1
35	CA1825		..WASHER-RETAINING (V26390)	BS,BT ,BX-B Z,CB, CF-CP ,CU CV,CY ,DA-D F,D J-DL, DS-DW EC-DW	1

25-28-42

 ILLUSTRATED PARTS LIST
 01.1 Page 1084R
 Mar 01/98


BOEING
 COMPONENT
 MAINTENANCE MANUAL

FIG. & ITEM	PART NO.	AIRLINE PART NUMBER	NOMENCLATURE 1234567	EFF CODE	QTY PER ASSY
05-40	413T1060-6		..WASHER	BS,BT ,BX-B Z,CB, CF-CP ,CU CV,CY ,DA-D F,D J-DL, DS-DW EC-DW	1
45	413T1060-7		..WASHER	BS,BT ,BX-B Z,CB, CF-CP ,CU CV,CY ,DA-D F,D J-DL, DS-DW EC-DW	1
50	413T1060-5		..WASHER	BS,BT ,BX-B Z,CB, CF-CP ,CU CV,CY ,DA-D F,D J-DL, DS-DW EC-DW	1

25-28-42

 ILLUSTRATED PARTS LIST
 01.1 Page 1084S
 Mar 01/98

FIG. & ITEM	PART NO.	AIRLINE PART NUMBER	NOMENCLATURE 1234567	EFF CODE	QTY PER ASSY
05-55	Y47		..BEARING-NEEDLE (V60380) (OPT ITEM 55A)	BS,BT ,BX-B Z,CB, CF-CP ,CU CV,CY ,DA-D F,D J-DL, DS-DW EC-DW	2
-55A	B47		..BEARING-NEEDLE (V60380) (OPT ITEM 55)	BS,BT ,BX-B Z,CB, CF-CP ,CU CV,CY ,DA-D F,D J-DL, DS-DW EC-DW	2
60	413T1046-43		..BOSS-UPR PIVOT (MALE)	BS,BT ,BX-B Z,CB, CF-CP ,CU CV,CY ,DA-D F,D J-DL, DS-DW EC-DW	1
65	413T1036-42		.BOSS ASSY	BS,BT ,BX-B Z,CB, CF-CP ,CU CV,CY ,DA-D F,D J-DL, DS-DW EC-DW	2

25-28-42

ILLUSTRATED PARTS LIST

01.1 Page 1084T

Mar 01/98


BOEING
 COMPONENT
 MAINTENANCE MANUAL

FIG. & ITEM	PART NO.	AIRLINE PART NUMBER	NOMENCLATURE 1234567	EFF CODE	QTY PER ASSY
05-70	501-0404-008		..BUSHING- (V77896)	BS,BT ,BX-B Z,CB, CF-CP ,CU CV,CY ,DA-D F,D J-DL, DS-DW EC-DW	2
75	413T1036-44		..BOSS-LWR PIVOT (MALE)	BS,BT ,BX-B Z,CB, CF-CP ,CU CV,CY ,DA-D F,D J-DL, DS-DW EC-DW	1
80	413T1036-12		.BOSS-PIVOT (FEMALE)	BS,BT ,BX-B Z,CB, CF-CP ,CU CV,CY ,DA-D F,D J-DL, DS-DW EC-DW	4
85 86	NAS603-6P BACS12FA3K4		DELETED .SCREW	BS,BT ,BX-B Z,CB, CF-CP ,CU CV,CY ,DA-D F,D J-DL, DS-DU DW,EC	32

25-28-42

ILLUSTRATED PARTS LIST

01.1 Page 1084U

Mar 01/98

FIG. & ITEM	PART NO.	AIRLINE PART NUMBER	NOMENCLATURE 1234567	EFF CODE	QTY PER ASSY
05-88	BACS12FA3K4		.SCREW	BS,BZ ,CH,C M,CY, DC,DD ,DU DWU	8
90 91	NAS603-6P BACS12FA3K4		DELETED .SCREW	BT,BX ,BY, CB,CF ,CG,C J-CL CN,CP ,CU,C V,DA, DB,DE ,DF DS,DT ,DW, EC	12
95 96	413U5008-22 413T2072-6		DELETED .BRACKET-SIDE	BS,BT ,BX-B Z,CB, CF-CP ,CU CV,CY ,DA-D F,D J-DL, DS-DW EC-DW	2

25-28-42

 ILLUSTRATED PARTS LIST
 01.1 Page 1084V
 Mar 01/98


BOEING
 COMPONENT
 MAINTENANCE MANUAL

FIG. & ITEM	PART NO.	AIRLINE PART NUMBER	NOMENCLATURE 1234567	EFF CODE	QTY PER ASSY
05- 97	413T2072-5		.BRACKET-END	BS,BT ,BX-B Z,CB, CF-CP ,CU CV,CY ,DA-D F,D J-DL, DS-DW EC-DW	2
98	413T2072-1		.BRACKET-BACK	BS,BZ ,CH,C M,CY, DC,DD ,DU DVU	1
99	413T2072-3		.BRACKET-BACK	CA,CB ,CP, DA,DB	1
100	413U5008-22		DELETED		
101	413T2072-4		.BRACKET	BT,CG ,CK,C N,CU, CV,DE ,DF DJ-DL ,DS, EC	1

25-28-42

ILLUSTRATED PARTS LIST

01.1 Page 1084W

Mar 01/98

FIG. & ITEM	PART NO.	AIRLINE PART NUMBER	NOMENCLATURE 1234567	EFF CODE	QTY PER ASSY
05- 103 103A	413T2072-2 413T2072-7		DELETED .BRACKET	BX, BY , CF, C J, CL, DT, DW	1
105	NAS514P1032-6		.SCREW	BS, BT , BX-B Z, CB, CF-CP , CU CV, CY , DA-D F, D J-DL, DS-DU DW, EC	12
110	NAS514P1032-6		.SCREW	BT, BX , BY, CB, CF , CG, C J-CL CN, CP , CU, C V, DA, DB, DE , DF DJ-DL , DS, D T, DW, EC	6
115	413T1042-265		.THRESHOLD	BS, BZ , CH, C M, CY, DU, DV	1

25-28-42

 ILLUSTRATED PARTS LIST
 01.1 Page 1084X
 Mar 01/98


BOEING
 COMPONENT
 MAINTENANCE MANUAL

FIG. & ITEM	PART NO.	AIRLINE PART NUMBER	NOMENCLATURE 1234567	EFF CODE	QTY PER ASSY
05- -115A	413T1042-269		. THRESHOLD	BT,CG ,CK,C N,CV, DC-DF ,DJ DK,DL ,DS, EC	1
-115B	413T1042-638		. THRESHOLD	BX,BY CF,CJ CL,DT DW	1
-115C	413T1042-1032		. THRESHOLD	CB,CP DA,DB	1
117 120	413T1042-1729 413T1128-8		. EDGING . SUPPORT ASSY- (OPT ITEM 120C, 120J)	CG BS,BT ,BX-B Z,CF, CH,CJ ,CN CP,CU ,CV,C Y,DA, DB,DU	2 1
-120A	413T1128-18		. SUPPORT ASSY- (OPT ITEM 120D, 120H)	CM,DC ,DD,D V	1
-120B	413T1128-22		. SUPPORT ASSY- (OPT ITEM 120E, 120K)	CG	1

25-28-42

 ILLUSTRATED PARTS LIST
 01.1 Page 1084Y
 Mar 01/98

FIG. & ITEM	PART NO.	AIRLINE PART NUMBER	NOMENCLATURE 1234567	EFF CODE	QTY PER ASSY
05- -120C	413T1128-26		.SUPPORT ASSY- (OPT ITEM 120, 120J)	BS,BT ,BX-B Z,CF, CH,CJ ,CN CP,CU ,CV,C Y,DA, DB,DU	1
-120D	413T1128-26		.SUPPORT ASSY- (OPT ITEM 120A, 120H)	CM,DC ,DD,D V	1
-120E	413T1128-26		.SUPPORT ASSY- (OPT ITEM 120B, 120K)	CG	1
-120F	413T1128-26		.SUPPORT ASSY	DJ-DL ,DT, EC	1
-120G	413T1128-18		.SUPPORT ASSY	DS	1
-120H	413T1128-14		.SUPPORT ASSY- (OPT ITEM 120A, 120D)	CM,DC ,DD,D V	1
-120J	413T1128-14		.SUPPORT ASSY- (OPT ITEM 120, 120C)	BS,BT ,BX-B Z,CF, CH,CJ ,CN CP,CU ,CV,C Y,DA, DB,DU	1

25-28-42

 ILLUSTRATED PARTS LIST
 01.1 Page 1084Z
 Mar 01/98


BOEING
 COMPONENT
 MAINTENANCE MANUAL

FIG. & ITEM	PART NO.	AIRLINE PART NUMBER	NOMENCLATURE 1234567	EFF CODE	QTY PER ASSY
05- -120K	413T1128-14		.SUPPORT ASSY- (OPT ITEM 120B, 120E)	CG	1
-120L	413T1128-8		.SUPPORT ASSY- (OPT ITEM 120M, 120N, 125P)	CB,CK ,CL,D E,DF, DW	1
-120M	413T1128-14		.SUPPORT ASSY- (OPT ITEM 120L, 125N, 125P)	CB,CK ,CL,D E,DF, DW	1
-120N	413T1128-18		.SUPPORT ASSY- (OPT ITEM 120L, 120M, 120P)	CB,CK ,CL,D E,DF, DW	1
-120P	413T1128-26		.SUPPORT ASSY- (OPT ITEM 120L, 120M, 120N)	CB,CK ,CL,D E,DF, DW	1
125	413T1128-8		.SUPPORT ASSY- (OPT ITEM 125B, 125E)	BT,BX ,BY,C F,CJ, CN,CP ,CU CV,DA ,DB,D S	1
-125A	413T1128-22		.SUPPORT ASSY- (OPT ITEM 125C, 125F)	CG	1
-125B	413T1128-26		.SUPPORT ASSY- (OPT ITEM 125, 125E)	BT,BX ,BY,C F,CJ, CN,CP ,CU CV,DA ,DB,D S	1

25-28-42

ILLUSTRATED PARTS LIST

01.1

Page 1085

Mar 01/98

FIG. & ITEM	PART NO.	AIRLINE PART NUMBER	NOMENCLATURE 1234567	EFF CODE	QTY PER ASSY
05- -125C	413T1128-26		.SUPPORT ASSY- (OPT ITEM 125A, 125F)	CG	1
-125D	413T1128-26		.SUPPORT ASSY	DJ-DL ,DT, EC	1
-125E	413T1128-14		.SUPPORT ASSY- (OPT ITEM 125, 125B)	BT,BX ,BY,C F,CJ, CN,CP ,CU CV,DA ,DB,D S	1
-125F	413T1128-14		.SUPPORT ASSY- (OPT ITEM 125A, 125C)	CG	1
-125K	413T1128-8		.SUPPORT ASSY- (OPT ITEM 125L, 125M, 125N)	CB,CK ,CL,D E,DF, DW	1
-125L	413T1128-14		.SUPPORT ASSY- (OPT ITEM 125K, 125M, 125N)	CB,CK ,CL,D E,DF, DW	1
-125M	413T1128-18		.SUPPORT ASSY- (OPT ITEM 125K, 125L, 125N)	CB,CK ,CL,D E,DF, DW	1
-125N	413T1128-26		.SUPPORT ASSY- (OPT ITEM 125K, 125L, 125M)	CB,CK ,CL,D E,DF, DW	1

25-28-42

 ILLUSTRATED PARTS LIST
 01.1 Page 1086
 Mar 01/98


BOEING
 COMPONENT
 MAINTENANCE MANUAL

FIG. & ITEM	PART NO.	AIRLINE PART NUMBER	NOMENCLATURE 1234567	EFF CODE	QTY PER ASSY
05-127	413T1128-13		.SUPPORT ASSY- (OPT ITEM 127A, 127C)	BS,BT ,BX-B Z,CF, CH,CJ ,CN CP,CU ,CV,C Y,DA, DB,DU	1
-127A	413T1128-25		.SUPPORT ASSY- (OPT ITEM 127, 127C)	BS,BT ,BX-B Z,CF, CH,CJ ,CN CP,CU ,CV,C Y,DA, DB,DU	1
-127B	413T1128-25		.SUPPORT ASSY	DJ-DL ,DS,D T,EC	1
-127C	413T1128-7		.SUPPORT ASSY- (OPT ITEM 127, 127A)	BS,BT ,BX-B Z,CF, CH,CJ ,CN CP,CU ,CV,C Y,DA, DB,DU	1

25-28-42

 ILLUSTRATED PARTS LIST
 01.1 Page 1086A
 Mar 01/98

FIG. & ITEM	PART NO.	AIRLINE PART NUMBER	NOMENCLATURE 1234567	EFF CODE	QTY PER ASSY
05-					
-127D	413T1128-13		.SUPPORT ASSY- (OPT ITEM 127E, 127F)	CG	1
-127E	413T1128-21		.SUPPORT ASSY- (OPT ITEM 127D, 127F)	CG	1
-127F	413T1128-25		.SUPPORT ASSY- (OPT ITEM 127D, 127E)	CG	1
-127G	413T1128-7		.SUPPORT ASSY- (OPT ITEM 127H, 127J, 127K)	CB,CK ,CL,D E,DF, DV	1
-127H	413T1128-13		.SUPPORT ASSY- (OPT ITEM 127G, 127J, 127K)	CB,CK ,CL,D E,DF, DV	1
-127J	413T1128-17		.SUPPORT ASSY- (OPT ITEM 127G, 127H, 127K)	CB,CK ,CL,D E,DF, DV	1
-127K	413T1128-25		.SUPPORT ASSY- (OPT ITEM 127G, 127H, 127J)	CB,CK ,CL,D E,DF, DV	1
-127L	413T1128-13		.SUPPORT ASSY- (OPT ITEM 127M, 127N)	CM,DC ,DD,D W	1
-127M	413T1128-17		.SUPPORT ASSY- (OPT ITEM 127L, 127N)	CM,DC ,DD,D W	1
-127N	413T1128-25		.SUPPORT ASSY- (OPT ITEM 127L, 127M)	CM,DC ,DD,D W	1
			ATTACHING PARTS		

25-28-42

 ILLUSTRATED PARTS LIST
 01.1 Page 1086B
 Mar 01/98


BOEING
 COMPONENT
 MAINTENANCE MANUAL

FIG. & ITEM	PART NO.	AIRLINE PART NUMBER	NOMENCLATURE 1234567	EFF CODE	QTY PER ASSY
05-130	BACS12FA3K4		.SCREW	BS,BT ,BX-B Z,CB, CF-CP ,CU CV,CY ,DA-D F,D J-DL, DS-DU DW,EC	4
135	BACS12FA3K4		.SCREW	BT,BX ,BY, CB,CF ,CG,C J-CL CN,CP ,CU,C V,DA, DB,DE ,DF DJ-DL ,DS,D T,DW, EC	2
140	BACS12FA3K5		.SCREW	BS,BT ,BX-B Z,CB, CF-CP ,CU CV,CY ,DA-D F,D J-DL, DS-DU EC-DU	2

25-28-42

ILLUSTRATED PARTS LIST

01.1 Page 1086C

Mar 01/98

FIG. & ITEM	PART NO.	AIRLINE PART NUMBER	NOMENCLATURE 1234567	EFF CODE	QTY PER ASSY
05-145	AN960PD10L		.WASHER	BS,BT ,BX-B Z,CB, CF-CP ,CU CV,CY ,DA-D F,D J-DL, DS-DU EC-DU	2
150	H10-3BAC		.NUT- (V15653) (SPEC BACN10JC3) (OPT NS202101-02 (V80539)) (OPT RMLH9075-3W (V72962)) (OPT T6S1032J (V71087)) (OPT VN303A02 (V92215)) (OPT 96-02 (V80539)) (OPT BRH10A3 (V52828)) -----*-----	BS,BT ,BX-B Z,CB, CF-CP ,CU CV,CY ,DA-D F,D J-DL, DS-DU EC-DU	2
155	BACR15BA3D		DELETED		
160	BACR15BA3D		DELETED		
165	A4972-6-02		.NUT- (V72962) (SPEC BACN10FX16) (OPT RM52LHA4972-6-02 (V72962)) (OPT 130069 (V60119)) (OPT A11330-6-3 (V72962)) (OPT ITEM 165A) (USED ON ITEMS 120, 120L, 125, 125K, 120B, 125A, 120H, 120J, 120K, 120M, 125E, 125F, 125L)	BS,BT ,BX-B Z,CB, CF-CP ,CU CV,CY ,DA-D F,DT, DU,DV ,DW	3

25-28-42

 ILLUSTRATED PARTS LIST
 01.1 Page 1086D
 Mar 01/98


BOEING
 COMPONENT
 MAINTENANCE MANUAL

FIG. & ITEM	PART NO.	AIRLINE PART NUMBER	NOMENCLATURE 1234567	EFF CODE	QTY PER ASSY
05- -165A	SL2113-1		..NUT- (V97393) (OPT ITEM 165) (USED ON ITEMS 120, 120L, 125, 125K, 120B, 125A, 120H, 120J, 120K, 120M, 125E, 125F, 125L	BS,BT ,BX-B Z,CB, CF-CP ,CU CV,CY ,DA-D F,DT, DU,DV ,DW	3
-165B	A4972-6-02		..NUT- (V72962) (SPEC BACN10FX16) (OPT RM52LHA4972-6-02 (V72962)) (OPT 130069 (V60119)) (OPT A11330-6-3 (V72962)) (USED ON ITEMS 120C, 120D, 120E, 120F, 120P, 125B, 125C, 125D, 125N, 120N, 125M)	BS,BT ,BX-B Z,CB, CF-CP ,CU CV,CY ,DA-D F,D J-DL, DT,DU DV,DW ,EC	3
-165C	SL2113-1		..NUT- (V97393) (USED ON ITEMS 120N, 125M)	CB,CK ,CL,D E,DF	3
167	A4972-6-02		..NUT- (V72962) (SPEC BACN10FX16) (OPT RM52LHA4972-6-02 (V72962)) (OPT 130069 (V60119)) (OPT A11330-6-3 (V72962)) (OPT ITEM 167A) (USED ON ITEMS 127, 127D, 127H, 127L, 127C, 127G, 127E)	BT,BX ,BY, CB,CF ,CG,C J-CL CN,CP ,CU,C V,DA, DB,DE ,DF DS,DT ,DV,D W	3

25-28-42

 ILLUSTRATED PARTS LIST
 01.1 Page 1086E
 Mar 01/98

FIG. & ITEM	PART NO.	AIRLINE PART NUMBER	NOMENCLATURE 1234567	EFF CODE	QTY PER ASSY
05- -167A	SL2113-1		..NUT- (V97393) (OPT ITEM 167) (USED ON ITEMS 127, 127D, 127H, 127L, 127C, 127G, 127E)	BT,BX ,BY, CB,CF ,CG,C J-CL CN,CP ,CU,C V,DA, DB,DE ,DF DS,DT ,DV,D W	3
-167B	A4972-6-02		..NUT- (V72962) (SPEC BACN10FX16) (OPT RM52LHA4972-6-02 (V72962)) (OPT 130069 (V60119)) (OPT A11330-6-3 (V72962)) (USED ON ITEMS 127A, 127B, 127F, 127K, 127N, 127J, 127M)	BT,BX ,BY, CB,CF ,CG,C J-CL CN,CP ,CU,C V,DA, DB,DE ,DF DJ-DL ,DS,D T,DV, DW,EC	3
-167C	SL2113-1		..NUT- (V97393) (USED ON ITEMS 127J, 127M)	CB,C K-CM, DD-DF ,DV,D W	3

25-28-42

 ILLUSTRATED PARTS LIST
 01.1 Page 1086F
 Mar 01/98


BOEING
 COMPONENT
 MAINTENANCE MANUAL

FIG. & ITEM	PART NO.	AIRLINE PART NUMBER	NOMENCLATURE 1234567	EFF CODE	QTY PER ASSY
05-170	413T1128-10		..SUPPORT- (USED ON ITEMS 120 120L, 120A, 102G, 120N)	BS,BT ,BX-B Z,CB, CF,CH ,CP CU,CV ,CY, DA-DF ,DT,D U,DW CG	1
-170A	413T1128-20		..SUPPORT- (USED ON ITEM 120B)	CG	1
-170B	413T1128-24		..SUPPORT- (USED ON ITEMS 120C, 120D, 120E, 120F, 120P)	BS,BT ,BX-B Z,CB, CF-CP ,CU CV,CY ,DA-D F,D J-DL, DS-DU DV,DW ,EC	1
-170C	413T1128-16		..SUPPORT- (USED ON ITEMS 120H, 120J, 120K, 120M, 120P)	BS,BT ,BX-B Z,CB, CF-CP ,CU CV,CY ,DA-D F,D J-DL, DS-DU DV,DW	1

25-28-42

 ILLUSTRATED PARTS LIST
 01.1 Page 1086G
 Mar 01/98

FIG. & ITEM	PART NO.	AIRLINE PART NUMBER	NOMENCLATURE 1234567	EFF CODE	QTY PER ASSY
05-175	413T1128-10		..SUPPORT- (USED ON ITEM 125, 125K, 125M)	BT,BX ,BY, CB,CF ,CJ-C L,CN CP,CU ,CV, DA,DB ,DE,D F,DS DWDS	1
-175A	413T1128-20		..SUPPORT- (USED ON ITEM 125A)	CG	1
-175B	413T1128-24		..SUPPORT- (USED ON ITEMS 125B, 125C, 125D, 125N)	BT,BX ,BY, CB,CF ,CG,C J-CL CN,CP ,CU,C V,DA, DB,DE ,DF DJ-DL ,DS,D T,DW, EC	1
-175C	413T1128-16		..SUPPORT- (USED ON ITEMS 125E, 125F, 125L)	BT,BX ,BY, CB,CF ,CG,C J-CL CN,CP ,CU,C V,DA, DB,DE ,DF DS,DW	1

25-28-42

ILLUSTRATED PARTS LIST

01.1 Page 1086H

Mar 01/98


BOEING
 COMPONENT
 MAINTENANCE MANUAL

FIG. & ITEM	PART NO.	AIRLINE PART NUMBER	NOMENCLATURE 1234567	EFF CODE	QTY PER ASSY
05-177	413T1128-15		..SUPPORT- (USED ON ITEM 127, 127D, 127H, 127L)	BS,BT ,BX-B ,Z,CB, CF-CP ,CU CV,CY ,DA-D F,D S-DW	1
-177A	413T1128-23		..SUPPORT- (USED ON ITEMS 127A, 127B, 127F, 127K, 127N)	BS,BT ,BX-B ,Z,CB, CF-CP ,CU CV,CY ,DA-D F,D J-DL, DS-DU DV,DW ,EC CG	1
-177B	413T1128-19		..SUPPORT- (USED ON ITEMS 127E)	CG	1
-177C	413T1128-9		..SUPPORT- (USED ON ITEMS 127G, 127J)	CB,CK ,CL,D E,DF, DV	1
180	413T1128-7		.SUPPORT ASSY- (OPT ITEM 180C, 180G)	BS,BT ,BX-B ,Z,CF, CH,CJ ,CN CP,CU ,CV,C Y,DA, DB,DU	1

25-28-42

 ILLUSTRATED PARTS LIST
 01.1 Page 1086I
 Mar 01/98

FIG. & ITEM	PART NO.	AIRLINE PART NUMBER	NOMENCLATURE 1234567	EFF CODE	QTY PER ASSY
05- -180A	413T1128-17		.SUPPORT ASSY- (OPT ITEM 180D, 180H)	CM,DC ,DD,D W	1
-180B	413T1128-21		.SUPPORT ASSY- (OPT ITEM 180E, 180J)	CG	1
-180C	413T1128-25		.SUPPORT ASSY- (OPT ITEM 180, 180G)	BS,BT ,BX-B Z,CF, CH,CJ ,CN CP,CU ,CV,C Y,DA, DB,DU	1
-180D	413T1128-25		.SUPPORT ASSY- (OPT ITEM 180A, 180H)	CM,DC ,DD,D W	1
-180E	413T1128-25		.SUPPORT ASSY- (OPT ITEM 180B, 180J)	CG	1
-180F	413T1128-25		.SUPPORT ASSY	DJ-DL ,DS,D T,EC	1
-180G	413T1128-13		.SUPPORT ASSY- (OPT ITEM 180, 180C)	BS,BT ,BX-B Z,CF, CH,CJ ,CN CP,CU ,CV,C Y,DA, DB,DU	1

25-28-42

 ILLUSTRATED PARTS LIST
 01.1 Page 1086J
 Mar 01/98


BOEING
 COMPONENT
 MAINTENANCE MANUAL

FIG. & ITEM	PART NO.	AIRLINE PART NUMBER	NOMENCLATURE 1234567	EFF CODE	QTY PER ASSY
05- -180H	413T1128-13		.SUPPORT ASSY- (OPT ITEM 180A, 180D)	CM,DC ,DD,D W	1
-180J	413T1128-13		.SUPPORT ASSY- (OPT ITEM 180B, 180E)	CG	1
-180K	413T1128-7		.SUPPORT ASSY- (OPT ITEM 180L, 180M, 180N)	CB,CK ,CL,D E,DF, DV	1
-180L	413T1128-13		.SUPPORT ASSY- (OPT ITEM 180K, 180M, 180N)	CB,CK ,CL,D E,DF, DV	1
-180M	413T1128-17		.SUPPORT ASSY- (OPT ITEM 180K, 180L, 180N)	CB,CK ,CL,D E,DF, DV	1
-180N	413T1128-25		.SUPPORT ASSY- (OPT ITEM 180K, 180L, 180M)	CB,CK ,CL,D E,DF, DV	1
185	413T1128-7		.SUPPORT ASSY- (OPT ITEM 185B, 185E)	BT,BX ,BY,C F,CJ, CN,CP ,CU CV,DA ,DB CG	1
-185A	413T1128-21		.SUPPORT ASSY- (OPT ITEM 185C, 185F)	CG	1
-185B	413T1128-25		.SUPPORT ASSY- (OPT ITEM 185, 185E)	BT,BX ,BY,C F,CJ, CN,CP CU,CV ,DA, DB	1

25-28-42

 ILLUSTRATED PARTS LIST
 01.1 Page 1086K
 Mar 01/98

FIG. & ITEM	PART NO.	AIRLINE PART NUMBER	NOMENCLATURE 1234567	EFF CODE	QTY PER ASSY
05- -185C	413T1128-25		.SUPPORT ASSY- (OPT ITEM 185A, 185F)	CG	1
-185D	413T1128-25		.SUPPORT ASSY	DJ-DL ,DS,D T,EC	1
-185E	413T1128-13		.SUPPORT ASSY- (OPT ITEM 185, 185B)	BT,BX ,BY,C F,CJ, CN,CP ,CU CV,DA ,DB	1
-185F	413T1128-13		.SUPPORT ASSY- (OPT ITEM 185A, 185C)	CG	1
-185G	413T1128-7		.SUPPORT ASSY- (OPT ITEM 185H, 185J, 185K)	CB,CK ,CL,D E,DF, DV	1
-185H	413T1128-13		.SUPPORT ASSY- (OPT ITEM 185G, 185J, 185K)	CB,CK ,CL,D E,DF, DV	1
-185J	413T1128-17		.SUPPORT ASSY- (OPT ITEM 185G, 185H, 185K)	CB,CK ,CL,D E,DF, DV	1
-185K	413T1128-25		.SUPPORT ASSY- (OPT ITEM 185G, 185H, 185J)	CB,CK ,CL,D E,DF, DV	1

25-28-42

 ILLUSTRATED PARTS LIST
 01.1 Page 1086L
 Mar 01/98


BOEING
 COMPONENT
 MAINTENANCE MANUAL

FIG. & ITEM	PART NO.	AIRLINE PART NUMBER	NOMENCLATURE 1234567	EFF CODE	QTY PER ASSY
05-187	413T1128-14		.SUPPORT ASSY- (OPT ITEM 187A, 187C)	BS,BT ,BX,B Y,CF, CH,CJ ,CN CP,CU ,CV,C Y,DA, DB,DU	1
-187A	413T1128-26		.SUPPORT ASSY- (OPT ITEM 187, 187C)	BS,BT ,BX,B Y,CF, CH,CJ ,CN CP,CU ,CV,C Y,DA, DB,DU	1
-187B	413T1128-26		.SUPPORT ASSY	DJ-DL ,DT, EC	1
-187C	413T1128-8		.SUPPORT ASSY- (OPT ITEM 187, 187A)	BS,BT ,BX,B Y,CF, CH,CJ ,CN CP,CU ,CV,C Y,DA, DB,DU	1

25-28-42

 ILLUSTRATED PARTS LIST
 01.1 Page 1086M
 Mar 01/98

FIG. & ITEM	PART NO.	AIRLINE PART NUMBER	NOMENCLATURE 1234567	EFF CODE	QTY PER ASSY
05- -187D	413T1128-14		.SUPPORT ASSY- (OPT ITEM 187E, 187F)	CM,DC ,DD,D V	1
-187E	413T1128-18		.SUPPORT ASSY- (OPT ITEM 187D, 187F)	CM,DC ,DD,D V	1
-187F	413T1128-26		.SUPPORT ASSY- (OPT ITEM 187D, 187E)	CM,DC ,DD,D V	1
-187G	413T1128-14		.SUPPORT ASSY- (OPT ITEM 187H, 187J)	CG	1
-187H	413T1128-22		.SUPPORT ASSY- (OPT ITEM 187G, 187J)	CG	1
-187J	413T1128-26		.SUPPORT ASSY- (OPT ITEM 187G, 187H)	CG	1
-187K	413T1128-8		.SUPPORT ASSY- (OPT ITEM 187L, 187M, 187N)	CB,CK ,CL,D E,DF, DW	1
-187L	413T1128-14		.SUPPORT ASSY- (OPT ITEM 187K, 187M, 187N)	CB,CK ,CL,D E,DF, DW	1
-187M	413T1128-18		.SUPPORT ASSY- (OPT ITEM 187K, 187L, 187N)	CB,CK ,CL,D E,DF, DW	1
-187N	413T1128-26		.SUPPORT ASSY- (OPT ITEM 187K, 187L, 187M)	CB,CK ,CL,D E,DF, DW	1
			ATTACHING PARTS		

25-28-42

 ILLUSTRATED PARTS LIST
 01.1 Page 1086N
 Mar 01/98

BOEING
 COMPONENT
 MAINTENANCE MANUAL

FIG. & ITEM	PART NO.	AIRLINE PART NUMBER	NOMENCLATURE 1234567	EFF CODE	QTY PER ASSY
05-190	BACS12FA3K4		. SCREW	BS,BT ,BX-B Z,CB, CF-CP ,CU CV,CY ,DA-D F,D J-DL, DS-DU DW,EC	4
195	BACS12FA3K4		. SCREW	BT,BX ,BY, CB,CF ,CG,C J-CL CN,CP ,CU,C V,DA, DB,DE ,DF DS,DT ,DW, EC	2
200	BACS12FA3K5		. SCREW	BS,BT ,BX-B Z,CB, CF-CP ,CU CV,CY ,DA-D F,D J-DL, DS-DU EC-DU	2

25-28-42

ILLUSTRATED PARTS LIST
 01.1 Page 10860
 Mar 01/98

FIG. & ITEM	PART NO.	AIRLINE PART NUMBER	NOMENCLATURE 1234567	EFF CODE	QTY PER ASSY
05-205	AN960PD10L		.WASHER	BS,BT ,BX-B Z,CB, CF-CP ,CU CV,CY ,DA-D F,D J-DL, DS-DU EC-DU	2
210	H10-3BAC		.NUT- (V15653) (SPEC BACN10JC3) (OPT NS202101-02 (V80539)) (OPT RMLH9075-3W (V72962)) (OPT T6S1032J (V71087)) (OPT VN303A02 (V92215)) (OPT 96-02 (V80539)) (OPT BRH10A3 (V52828)) -----*-----	BS,BT ,BX-B Z,CB, CF-CP ,CU CV,CY ,DA-D F,D J-DL, DS-DU EC-DU	2
215	BACR15BA3D		DELETED		
220	BACR15BA3D		DELETED		
225	A4972-6-02		.NUT- (V72962) (SPEC BACN10FX16) (OPT RM52LHA4972-6-02 (V72962)) (OPT 130069 (V60119)) (OPT A11330-6-3 (V72962)) (OPT ITEM 225A) (USED ON ITEMS 180, 180K, 185, 185G, 180B 185A, 180G, 180H, 180J 180L, 185E, 185F, 185H)	BS,BT ,BX-B Z,CB, CF-CP ,CU CV,CY ,DA-D F,D S-DW	3

25-28-42

 ILLUSTRATED PARTS LIST
 01.1 Page 1086P
 Mar 01/98


BOEING
 COMPONENT
 MAINTENANCE MANUAL

FIG. & ITEM	PART NO.	AIRLINE PART NUMBER	NOMENCLATURE 1234567	EFF CODE	QTY PER ASSY
05- -225A	SL2113-1		..NUT- (V97393) (OPT ITEM 225) (USED ON ITEMS 180, 180K, 185, 185G, 180B 185A, 180G, 180H, 180J 180L, 185E, 185F, 185H)	BS,BT ,BX-B Z,CB, CF-CP ,CU CV,CY ,DA-D F,D S-DW	3
-225B	A4972-6-02		..NUT- (V72962) (SPEC BACN10FX16) (OPT RM52LHA4972-6-02 (V72962)) (OPT 130069 (V60119)) (OPT A11330-6-3 (V72962)) (USED ON ITEMS 180N, 185B, 185C, 185D, 185K 180A, 180M, 185J)	BS,BT ,BX-B Z,CB, CF-CP ,CU CV,CY ,DA-D F,D J-DL, DS-DW EC-DW	3
-225C	SL2113-1		..NUT- (V97393) (USED ON ITEMS 180A, 180M, 185J)	CB,C K-CM, DC-DF ,DV,D W	3
230	A4972-6-02		..NUT- (V72962) (SPEC BACN10FX16) (OPT RM52LHA4972-6-02 (V72962)) (OPT 130069 (V60119)) (OPT A11330-6-3 (V72962)) (OPT ITEM 230A) (USED ON ITEMS 187C 187K, 187H, 187, 187D 187G, 187L)	BT,BX ,BY, CB,CF ,CG,C J-CL CN,CP ,CU,C V,DA, DB,DE ,DF DS,DT ,DV,D W	3

25-28-42

ILLUSTRATED PARTS LIST

01.1 Page 1086Q

Mar 01/98

FIG. & ITEM	PART NO.	AIRLINE PART NUMBER	NOMENCLATURE 1234567	EFF CODE	QTY PER ASSY
05- -230A	SL2113-1		..NUT- (V97393) (OPT ITEM 230) (USED ON ITEMS 187C, 187K, 187H, 187, 187D, 187G, 187G, 187L)	BT,BX ,BY, CB,CF ,CG,C J-CL CN,CP ,CU,C V,DA, DB,DE ,DF DS,DT	3
-230B	A4972-6-02		..NUT- (V72962) (SPEC BACN10FX16) (OPT RM52LHA4972-6-02 (V72962)) (OPT 130069 (V60119)) (OPT A11330-6-3 (V72962)) (USED ON ITEMS 187A, 187B, 187F, 187J, 187N 187E, 187M)	BT,BX ,BY, CB,CF ,CG,C J-CL CN,CP ,CU,C V,DA, DB,DE ,DF DJ-DL ,DS,D T,DV, DW,EC	3
-230C	SL2113-1		..NUT- (V97393) (USED ON ITEMS 187E, 187M)	CB,C K-CM, DC-DF	3

25-28-42

 ILLUSTRATED PARTS LIST
 01.1 Page 1086R
 Mar 01/98


BOEING
 COMPONENT
 MAINTENANCE MANUAL

FIG. & ITEM	PART NO.	AIRLINE PART NUMBER	NOMENCLATURE	EFF CODE	QTY PER ASSY
			1234567		
05-235	413T1128-9		..SUPPORT- (USED ON ITEMS 180 180A, 180K, 180M)	BS,BT ,BX-B Z,CB, CF-CP ,CU CV,CY ,DA-D F,D S-DW CG	1
-235A	413T1128-19		..SUPPORT- (USED ON ITEM 180B)		1
-235B	413T1128-23		..SUPPORT- (USED ON ITEMS 180C, 180D, 180E, 180F,180N)	BS,BT ,BX-B Z,CB, CF-CP ,CU CV,CY ,DA-D F,D J-DL, DS-DV EC-DV	1
-235C	413T1128-15		..SUPPORT- (USED ON ITEMS 180G, 180H, 180J, 180L)	BS,BT ,BX-B Z,CB, CF-CP ,CU CV,CY ,DA-D F,D J-DL, DS-DV	1

25-28-42

 ILLUSTRATED PARTS LIST
 01.1 Page 1086S
 Mar 01/98

FIG. & ITEM	PART NO.	AIRLINE PART NUMBER	NOMENCLATURE 1234567	EFF CODE	QTY PER ASSY
05-240	413T1128-9		..SUPPORT- (USED ON ITEM 185, 185G, 185J)	BT,BX ,BY, CB,CF ,CJ-C L,CN CP,CU ,CV, DA,DB ,DE,D F,DS DT,DV CG	1
-240A	413T1128-19		..SUPPORT- (USED ON ITEM 185A)		1
-240C	413T1128-23		..SUPPORT- (USED ON ITEMS 185B, 185C, 185D, 185K)	BS,BT ,BX-B Z,CB, CF-CP ,CU DA-DF ,DS-D V,EC	1
-240D	413T1128-15		..SUPPORT- (USED ON ITEMS 185E, 185F, 185H)	BT,BX ,BY, CB,CF ,CG,C J-CL CN,CP ,CU,C V,DA, DB,DE ,DF DVF	1

25-28-42

 ILLUSTRATED PARTS LIST
 01.1 Page 1086T
 Mar 01/98


BOEING
 COMPONENT
 MAINTENANCE MANUAL

FIG. & ITEM	PART NO.	AIRLINE PART NUMBER	NOMENCLATURE 1234567	EFF CODE	QTY PER ASSY
05-242	413T1128-16		..SUPPORT- (USED ON ITEM 187, 187D, 187G, 187L)	BS,BT ,BX-B Z,CB, CF-CP ,CU CV,CY ,DA-D F,D S-DW	1
-242A	413T1128-24		..SUPPORT- (USED ON ITEMS 187A, 187B, 187F, 187G, 187N)	BS,BT ,BX-B Z,CB, CF-CP ,CU CV,CY ,DA-D F,D J-DL, DS-DW EC-DW	1
-242B	413T1128-10		..SUPPORT- (USED ON ITEMS 187E, 187M, 187C, 187K)	BS,BT ,BX,B Y,CB, CF-CP ,CU CV,CY ,DA-D F,D J-DL, DS-DV	1
-242C	413T1128-20		..SUPPORT- (USED ON ITEMS 187H)	CG	1

25-28-42

 ILLUSTRATED PARTS LIST
 01.1 Page 1086U
 Mar 01/98

FIG. & ITEM	PART NO.	AIRLINE PART NUMBER	NOMENCLATURE 1234567	EFF CODE	QTY PER ASSY
05-245	BACS12FA3K6		.SCREW	BS,BT ,BX-B Z,CB, CF-CP ,CU CV,CY ,DA-D F,D J-DL, DS-DU EC-DU	4
250	413T1042-771		.ANGLE-ATTACH	BS,BT ,BX-B Z,CB, CF-CP ,CU CV,CY ,DA-D F,D J-DL, DS-DU DV,DW	1
-250A 255	413T1042-267 413T1042-772		DELETED .ANGLE-ATTACH	BS,BT ,BX-B Z,CB, CF-CP ,CU CV,CY ,DA-D F,D J-DL, DS-DU DV,DW	1

25-28-42

 ILLUSTRATED PARTS LIST
 01.1 Page 1086V
 Mar 01/98


BOEING
 COMPONENT
 MAINTENANCE MANUAL

FIG. & ITEM	PART NO.	AIRLINE PART NUMBER	NOMENCLATURE 1234567	EFF CODE	QTY PER ASSY
05- -255A 260	413T1042-268 501230-20		DELETED .LATCH ASSY- (V27045) (SPEC S413T103-20) (OPT ITEM 260A)	BS,CH ,CM,C Y	1
-260A	501230-7		.LATCH ASSY- (V27045) (SPEC S413T103-7) (OPT ITEM 260)	BS,CH ,CY	1
-260B	501230-19		.LATCH ASSY- (V27045) (SPEC S413T103-19)	BT,CG ,CK,C U,CV, DE,DF ,DJ DK,DL ,EC	1
-260C	501230-22		.LATCH ASSY- (V27045) (SPEC S413T103-22)	BX,CF ,CJ,C L	1
-260D	502230-1		.LATCH ASSY- (V27045) (SPEC S413T103-26)	BY,DT ,DW	1
-260E	501230-20		.LATCH ASSY- (V27045) (SPEC S413T103-20)	BZ,DC ,DD	1
-260F	S413T103-35		.LATCH ASSY	CA,DB	1
-260G	S413T103-30		.LATCH ASSY	CB,CP ,DA	1
-260H -260J	S413T103-34 502230-3		DELETED .LATCH ASSY- (V27045) (SPEC S413T103-34)	CN,DS	1
-260K	501230-6		.LATCH ASSY- (V27045) (SPEC S413T103-6)	DG,DH	1
-260L	502230-2		.LATCH ASSY- (V27045) (SPEC S413T103-28) ATTACHING PARTS	DU,DV	1

25-28-42

 ILLUSTRATED PARTS LIST
 01.1 Page 1086W
 Mar 01/98

FIG. & ITEM	PART NO.	AIRLINE PART NUMBER	NOMENCLATURE 1234567	EFF CODE	QTY PER ASSY
05- 265 265A	BAC30NN3K15 BACB30NN3K15		DELETED .BOLT	BS,BT ,BX-B Z,CB, CF-CP ,CU CV,CY ,DA-D F,D J-DL, DS-DU DV,DW ,EC	4
267	BACW10UC102P		.WASHER	BS,BT ,BX-B Z,CB, CF-CP ,CU CV,CY ,DA-D F,D J-DL, DS-DU DW,EC	4
270	H10-3BAC		.NUT- (V15653) (SPEC BACN10JC3) (OPT NS202101-02 (V80539)) (OPT RMLH9075-3W (V72962)) (OPT T6S1032J (V71087)) (OPT VN303A02 (V92215)) (OPT 96-02 (V80539)) (OPT BRH10A3 (V52828)) (OPT ITEM 270A)	BS,BT ,BX,B Y,DW	4
-270A	BACN10JC3CD		.NUT- (OPT ITEM 270)	BS,BT ,BX,B Y	4

25-28-42

 ILLUSTRATED PARTS LIST
 01.1 Page 1086X
 Mar 01/98


BOEING
 COMPONENT
 MAINTENANCE MANUAL

FIG. & ITEM	PART NO.	AIRLINE PART NUMBER	NOMENCLATURE 1234567	EFF CODE	QTY PER ASSY
05-270B	H10-3BAC		.NUT- (V15653) (SPEC BACN10JC3) (OPT NS202101-02 (V80539)) (OPT RMLH9075-3W (V72962)) (OPT T6S1032J (V71087)) (OPT VN303A02 (V92215)) (OPT 96-02 (V80539)) (OPT BRH10A3 (V52828))	BZ, CB , CF-C P, CU, CV, CY DA-DF , DJ-D L, D S-DU, DW, EC	4
275	BACB30NN3K15		.BOLT	BS, BZ , DV, D W	2
275A	BACB30NN3K18		.BOLT	BT, BX , BY, CB, C F-CP, CU, CV CY, DV A-DF, DJ-DL , DS-D U, DW ECDW	2

25-28-42

 ILLUSTRATED PARTS LIST
 01.1 Page 1086Y
 Mar 01/98

FIG. & ITEM	PART NO.	AIRLINE PART NUMBER	NOMENCLATURE 1234567	EFF CODE	QTY PER ASSY
05-280	A4972-6-02		.NUT- (V72962) (SPEC BACN10FX16) (OPT RM52LHA4972-6-02 (V72962)) (OPT 130069 (V60119)) (OPT A11330-6-3 (V72962))	BS,BT ,BX-B Z,CB, CF-CP ,CU CV,CY ,DA-D F,D J-DL, DS-DU DW,EC	2
282	413T1160-1		-----*----- .MOLDING	DC-DF ,DJ-D L,DS, DV,DW	1
283	413T1160-2		.MOLDING	DC-DF ,DJ-D L,DS, DV,DW	1
285	BACS12FA3K3		.SCREW	BS,BT ,BX-B Z,CB, CF-CP ,CU CV,CY ,DA-D F,D J-DL, DS-DU DW,EC	6

25-28-42

 ILLUSTRATED PARTS LIST
 01.1 Page 1086Z
 Mar 01/98

BOEING
 COMPONENT
 MAINTENANCE MANUAL

FIG. & ITEM	PART NO.	AIRLINE PART NUMBER	NOMENCLATURE 1234567	EFF CODE	QTY PER ASSY
05- 290 290A	BACSD12FA3K3 BACS12FA3K3		DELETED . SCREW	BS,BT ,BX-B Z,CB, CF-CP ,CU CV,CY ,DA-D F,D J-DL, DS-DU DW,EC	10
-290B 295	BACS12FA3K3 413T1039-27		. SCREW . ANGLE-ATTACH	BS,BZ BS,BT ,BX-B Z,C F-CJ, CN,CP CU,CV ,DA, DB,D S-DU, EC	10 1
-295A	413T1039-37		. ANGLE-ATTACH	CB,C K-CM, DC-DF ,DJ-D L,DV DWDV	1
300	413T1039-28		. ANGLE-ATTACH	BS,BT ,BX-B Z,C F-CJ, CN,CP CU,CV ,CY, DA,DB ,DS-D U,EC	1
-300A	413T1039-38		. ANGLE-ATTACH	CB,C K-CM, DC-DF ,DJ-D L,DV DWDV	1

25-28-42

ILLUSTRATED PARTS LIST
 01.1 Page 1087
 Mar 01/98

FIG. & ITEM	PART NO.	AIRLINE PART NUMBER	NOMENCLATURE 1234567	EFF CODE	QTY PER ASSY
05-					
301	BACS12FA3K4		DELETED		
302	413T2072-6		DELETED		
303	413T2072-5		DELETED		
305	413T1048-65		.PANEL ASSY-TOP	BS,BZ ,CH,C M,CY, DC,DD ,DU DVU	1
-305A	413T1048-71		.PANEL ASSY	BT,CG ,CK,C N,CU, CV,DE ,DF DJ-DL ,DS, EC	1
-305B	413T1048-67		.PANEL ASSY	BX,BY ,CF,C J,CL, DT,DW	1
-305C	413T1048-69		.PANEL ASSY-TOP	CA,CB ,CP, DA,DB	1
310	NAS1836A3-08		DELETED		
310A	SL618-3A		..INSERT- (V97393)	BS,BT ,BX-B Z,CB, CF-CP ,CU CV,CY ,DA-D F,D J-DL, DS-DU EC-DU	12

25-28-42

 ILLUSTRATED PARTS LIST
 01.1 Page 1088
 Mar 01/98


BOEING
 COMPONENT
 MAINTENANCE MANUAL

FIG. & ITEM	PART NO.	AIRLINE PART NUMBER	NOMENCLATURE	EFF CODE	QTY PER ASSY
			1234567		
05-					
-310B	SL6224-3A		DELETED		
-315	NAS1836A3-08		DELETED		
315A	SL6224-3A		DELETED		
315B	SL618-3A		..INSERT- (V97393)	BT,BX ,BY, CB,CF ,CG,C J-CL CN,CP ,CU,C V,DA, DB,DE ,DF DJ-DL ,DS,D T,EC	2
320	SL618-3A		..INSERT- (V97393)	BS,BT ,BX-B Z,CB, CF-CP ,CU CV,CY ,DA-D F,D J-DL, DS-DU EC-DU	12
-320A	SL6224-3A		DELETED		
325	413T1048-77		..PANEL ASSY	BS,BZ ,CH,C M,CY, DC,DD ,DU	1

25-28-42

 ILLUSTRATED PARTS LIST
 01.1 Page 1088A
 Mar 01/98

FIG. & ITEM	PART NO.	AIRLINE PART NUMBER	NOMENCLATURE 1234567	EFF CODE	QTY PER ASSY
05- -325A	413T1048-78		..PANEL	BX, BY , CF, C J, CL, DT, EC	1
-325B	413T1048-80		..PANEL	BT, CG , CK, C N, CU, CV, DE , DF DJ-DL , DS	1
-325C	413T1048-79		..PANEL ASSY	CA, CB , CP, DA, DB	1
330	413T1048-58		.PANEL ASSY-END	BS, BT , BX-B Z, CF, CG, CH , CJ CN, CP , CU, C V, CY, DA, DB , DT DU, EC	1
-330A	413T1048-61		.PANEL ASSY-END	CB, CK , CL, C M, DC, DE, DF DJ-DL , DS, D V, DW	1
-330B	413T1048-101		.PANEL ASSY-END	DD	1

25-28-42

 ILLUSTRATED PARTS LIST
 01.1 Page 1088B
 Jul 01/05


BOEING
 COMPONENT
 MAINTENANCE MANUAL

FIG. & ITEM	PART NO.	AIRLINE PART NUMBER	NOMENCLATURE 1234567	EFF CODE	QTY PER ASSY
05-335	413T1048-57		.PANEL ASSY-END	BS,BT ,BX-B Z,C F-CJ, CN,CP CU,CV ,CY, DA,DB ,DT,D U,EC	1
-335A	413T1048-62		.PANEL ASSY-END	CB,CK ,CL,C M,DC, DE,DF ,DJ DK,DS ,DV,D W	1
-335B	413T1048-102		.PANEL ASSY-END	DD	1
-335C	413T1048-103		.PANEL ASSY-END	DL	1
340	413T1042-275		DELETED		
345	NAS1834A3-290		.. INSERT	BS,BT ,BX-B Z,CB, CF-CP ,CU CV,CY ,DA- DC,DE ,DF,D J-DL DS-DU ,EC	1

25-28-42

 ILLUSTRATED PARTS LIST
 01.1 Page 1088C
 Jul 01/05

FIG. & ITEM	PART NO.	AIRLINE PART NUMBER	NOMENCLATURE	EFF CODE	QTY PER ASSY
05- 350 350A 350B	NAS1836A3-08 SL6224-3A SL618-3A		DELETED DELETED ..INSERT- (V97393)	BS,BT ,BX-B Z,CB, CF-CP ,CU CV,CY ,DA-D F,D J-DL, DS-DU EC-DU	8
355	SL604-3-290ASP4		..INSERT- (V97393) (ITEM 355A OPTIONAL TO ITEM 355 ONLY WHEN ITEM 355 IS NOT AVAILABLE)	BS,BT ,BX-B Z,CB, CF-CP ,CU CV,CY ,DA- DC,DE ,DF,D J-DL DS-DU ,EC	2
-355A	413T1042-275		..INSERT- (ITEM 355A OPTIONAL TO ITEM 355 ONLY WHEN ITEM 355 IS NOT AVAILABLE)	BS,BT ,BX-B Z,CB, CF-CP ,CU CV,CY ,DA- DC,DE ,DF,D J-DL DS-DU ,EC	2

25-28-42


BOEING
 COMPONENT
 MAINTENANCE MANUAL

FIG. & ITEM	PART NO.	AIRLINE PART NUMBER	NOMENCLATURE 1234567	EFF CODE	QTY PER ASSY
05-360	SL618-3A		..INSERT- (V97393)	BS,BT ,BX-B Z,CB, CF-CP ,CU CV,CY ,DA-D F,D J-DL, DS-DU EC-DU	3
360A	SL6224-3A		DELETED		
361	SL618-3A		..INSERT- (V97393)	DD,DL	4
365	413T1048-75		..PANEL ASSY	BS,BT ,BX-B Z,CB, CF-CP ,CU CV,CY ,DA-D F,D J-DL, DS-DU EC-DU	1
367	BACS12FA3K4		DELETED		
367J	413T2072-1		DELETED		
368	BACS12FA3K4		DELETED		
368J	413T2072-3		DELETED		
370	413T1049-92SP		.BIN ASSY-LWR	BS,BZ ,CH,C M,CY, DU,DV	1

25-28-42

 ILLUSTRATED PARTS LIST
 01.1 Page 1088E
 Mar 01/98

FIG. & ITEM	PART NO.	AIRLINE PART NUMBER	NOMENCLATURE 1234567	EFF CODE	QTY PER ASSY
05- -370A	413T1049-93SP		.BIN ASSY-LWR	BT,CG ,CK,C N,CU, DS	1
-370B	413T1049-97SP		.BIN ASSY-LWR	BX,BY ,CF,C J,CL, DT,DW	1
-370C	413T1049-98SP		.BIN ASSY-LWR	CA,CB ,CP, DA	1
-370D	413T1049-140SP		.BIN ASSY-LWR	CV	1
-370E	413T1049-142SP		.BIN ASSY-LWR	DB	1
-370F	413T1049-143SP		.BIN ASSY-LWR	DC	1
-370G	413T1049-144SP		.BIN ASSY-LWR	DD	1
-370H	413T1049-145SP		.BIN ASSY-LWR	DE	1
-370J	413T1049-146SP		.BIN ASSY-LWR	DF	1
-370K	413T1049-147SP		.BIN ASSY-LWR	DG	1
-370L	413T1049-148SP		.BIN ASSY-LWR	DH	1
-370M	413T1049-149SP		.BIN ASSY-LWR	DJ	1
-370N	413T1049-150SP		.BIN ASSY-LWR	DK	1
-370P	413T1049-151SP		.BIN ASSY-LWR	DL	1
-370Q	413T1049-169SP		.BIN ASSY-LWR	EC	1
375	SL618-3A		DELETED		
375A	SL6224-3A		.. INSERT- (V97393)	BS,BT ,BX-B Z,CB, CF-CP ,CU CV,CY ,DA-D F,D S-DU, EC	18

25-28-42

 ILLUSTRATED PARTS LIST
 01.1 Page 1088F
 Mar 01/98


BOEING
 COMPONENT
 MAINTENANCE MANUAL

FIG. & ITEM	PART NO.	AIRLINE PART NUMBER	NOMENCLATURE 1234567	EFF CODE	QTY PER ASSY
05- -375B	SL6224-3A2		..INSERT- (V97393)	DJ-DL	18
380 380A	SL618-3A SL6224-3A		DELETED ..INSERT- (V97393)	BT,BX ,BY, CB,CF ,CG,C J-CL CN,CP ,CU,C V,DA, DB,DE ,DF DS,DT ,EC DJ-DL	4
-380B	SL6224-3A2		..INSERT- (V97393)	DJ-DL	4
385	NAS1836-3-07		..INSERT	BS,BT ,BX-B Z,CB, CF-CP ,CU CV,CY ,DA-D F,D S-DU, EC CV	4
386	SL6224-3A		..INSERT- (V97393)	CV	2
387	SL6224-3A		..INSERT- (V97393)	CV	12
387A	SL618-3A		DELETED		

25-28-42

 ILLUSTRATED PARTS LIST
 01.1 Page 1088G
 Mar 01/98

FIG. & ITEM	PART NO.	AIRLINE PART NUMBER	NOMENCLATURE 1234567	EFF CODE	QTY PER ASSY
05-					
390	NAS1836A3-08		DELETED		
-390A	SL224-3A		DELETED		
390B	SL6224-3A		.. INSERT- (V97393)	DC,DD ,DG,D H	12
-390C	NAS1836-3-08		DELETED		
-390D	SL618-3A		.. INSERT- (V97393)	BS,BT ,BX-B Z,CB, CF-CP ,CU CV,DA ,DB,D E,DF, DS-DU ,EC	12
-390E	SL6224-3A2		.. INSERT- (V97393)	DJ-DL	12
392	SL6224-3A2		.. INSERT- (V97393)	DJ-DL	16
395	NAS1836A3-08		DELETED		
395A	SL224-3A		DELETED		
395B	SL6224-3A		.. INSERT- (V97393)	DE-DH	2
-395C	NAS1836-3-08		DELETED		
-395D	SL618-3A		.. INSERT- (V97393)	BT,BX ,BY, CB,CF ,CG,C J-CL CN,CP ,CU,C V,DA, DB,DE ,DF DS,DT ,EC	2
-395E	SL6224-3A2		.. INSERT- (V97393)	DJ-DL	2
396	SL224-3A		DELETED		
396A	SL6224-3A		.. INSERT- (V97393)	DC,DD	4
396B	SL618-3A		DELETED		
397	SL224-3A		DELETED		

25-28-42

ILLUSTRATED PARTS LIST

01.1 Page 1088H

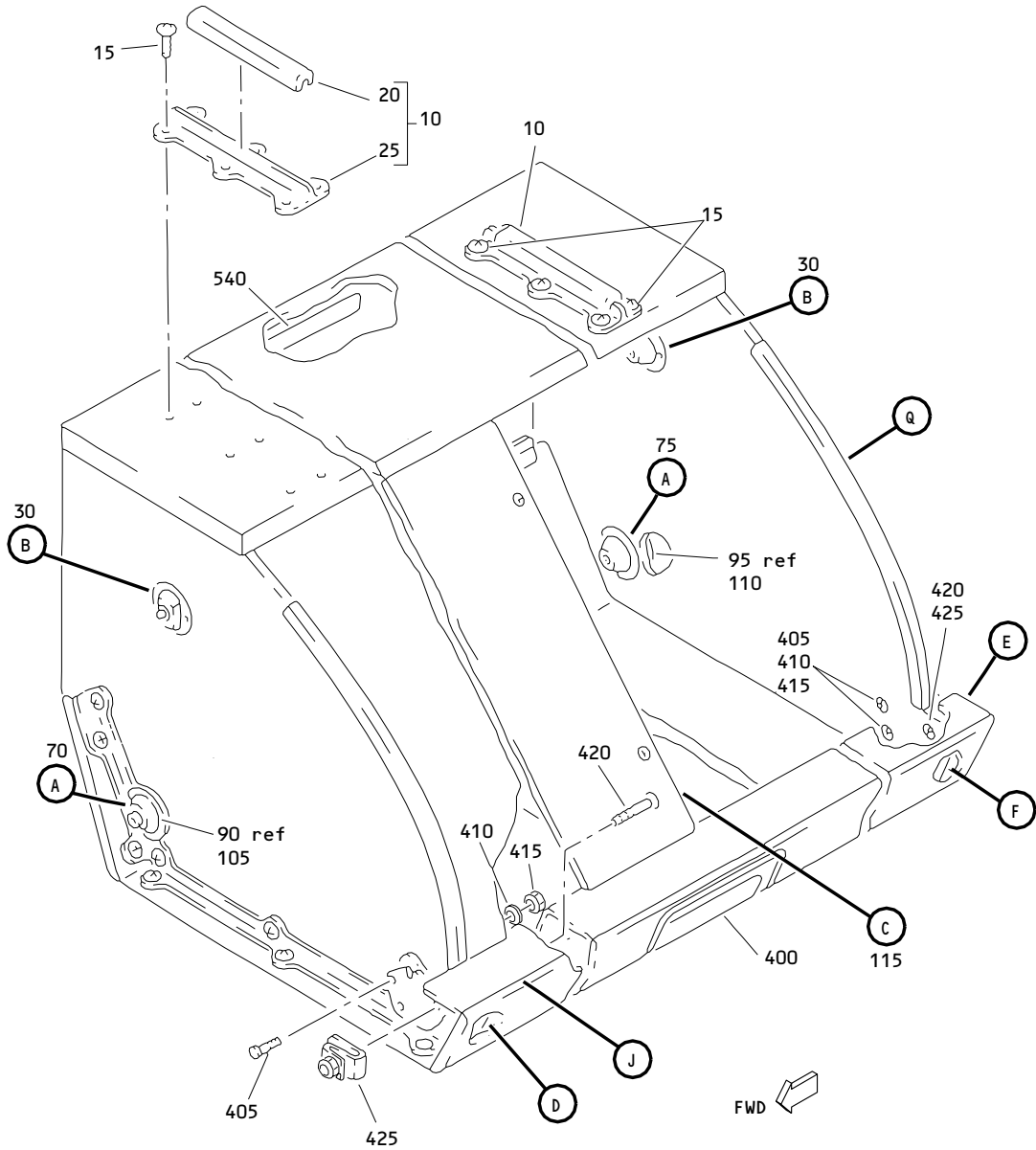
Mar 01/98


BOEING
 COMPONENT
 MAINTENANCE MANUAL

FIG. & ITEM	PART NO.	AIRLINE PART NUMBER	NOMENCLATURE 1234567	EFF CODE	QTY PER ASSY
05-397A	SL6224-3A		..INSERT- (V97393)	DE,DF	4
397B	SL618-3A		DELETED		
398	SL6224-3A2		DELETED		
400	BAC27TPPS50252		.DECAL-BIN MUST BE LATCHED CLOSED LOAD LIMIT 40 LB/ 18 KG	BS,CY	1
-400A	BAC27TPPS0251		.DECAL-BIN MUST BE LATCHED CLOSED LOAD LIMIT 80 LB/ 36 KG	BT,CU	1
-400B	BAC29PPS0632		.DECAL-BIN MUST BE LATCHED CLOSED LOAD LIMIT 60 LB/ 27 KG	BX,BY ,CF, DA	1
405	BAC29PPS2173		.DECAL-LATCH BIN CLOSED	BZ,CB ,CG-C P,CV, DB-DF ,DJ DK,DL ,DS-D W,EC	1
410	BAC29PPS5612		.DECAL-LOAD LIMIT 22 LB/10 KG	BZ	1
-410A	BAC29PPS2177		.DECAL-LOAD LIMIT 58 LB/26 KG	CA,DB	1
-410B	BAC29PPS5309		.DECAL-LOAD LIMIT 66LB/30KG	CB,CP	1
-410C	BAC29PPS2175		.DECAL-LOAD LIMIT 80 LB/36 KG	CG,CK ,CN,C V,DE, DF,D J-DL DS,EC	1
-410D	BAC29PPS2179		.DECAL-LOAD LIMIT 40 LB/18 KG	CH,CM ,DC,D D,DU	1
-410E	BAC29PPS2768		.DECAL-LOAD LIMIT 60LB/27KG	CJ,CL ,DT	1

25-28-42

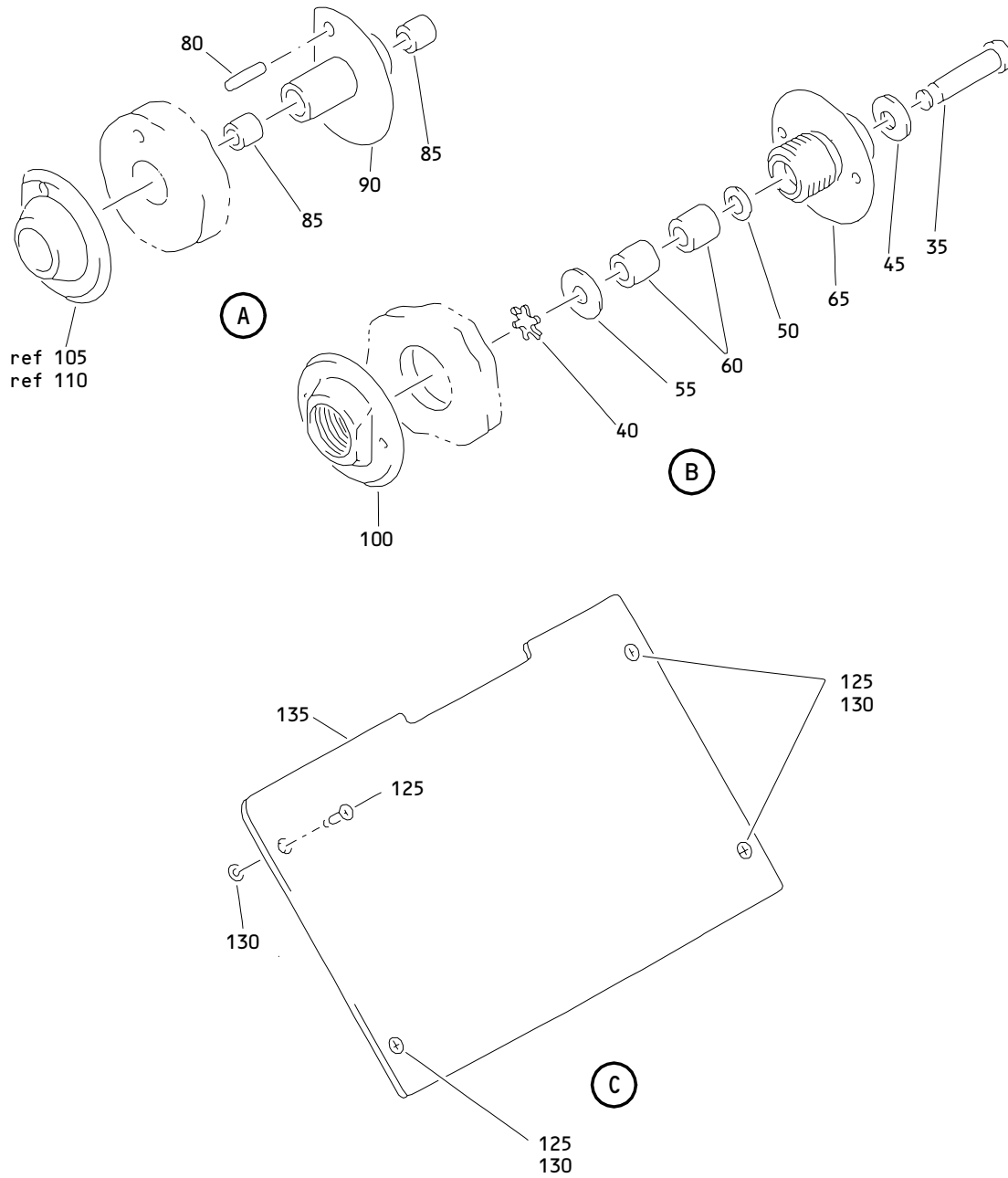
 ILLUSTRATED PARTS LIST
 01.1 Page 1088I
 Mar 01/98



Center Overhead Stowage Bin Assembly
 Figure 6 (Sheet 1)

25-28-42

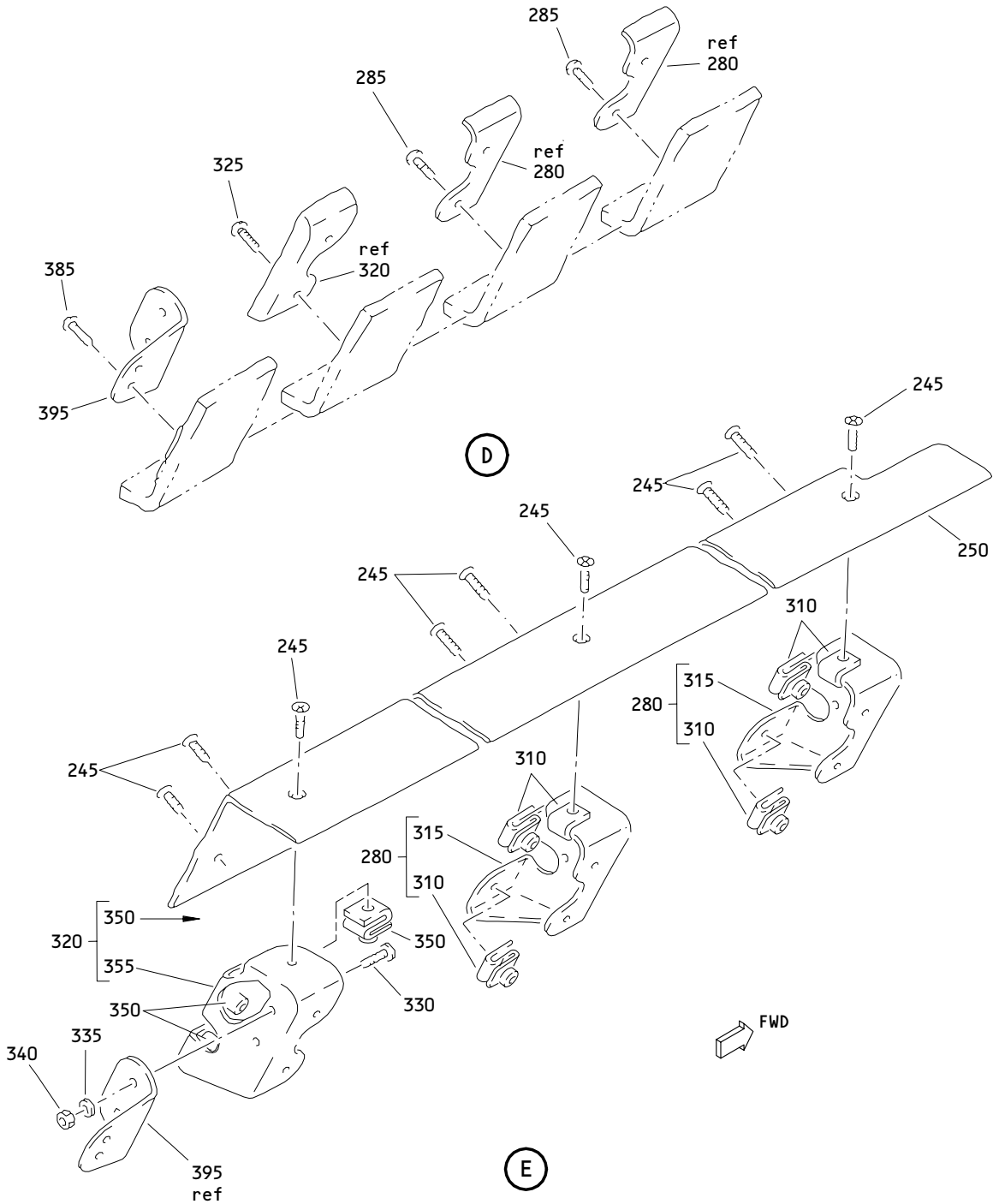
ILLUSTRATED PARTS LIST
 01.1 Page 1088K
 Mar 01/98



Center Overhead Stowage Bin Assembly
 Figure 6 (Sheet 2)

25-28-42

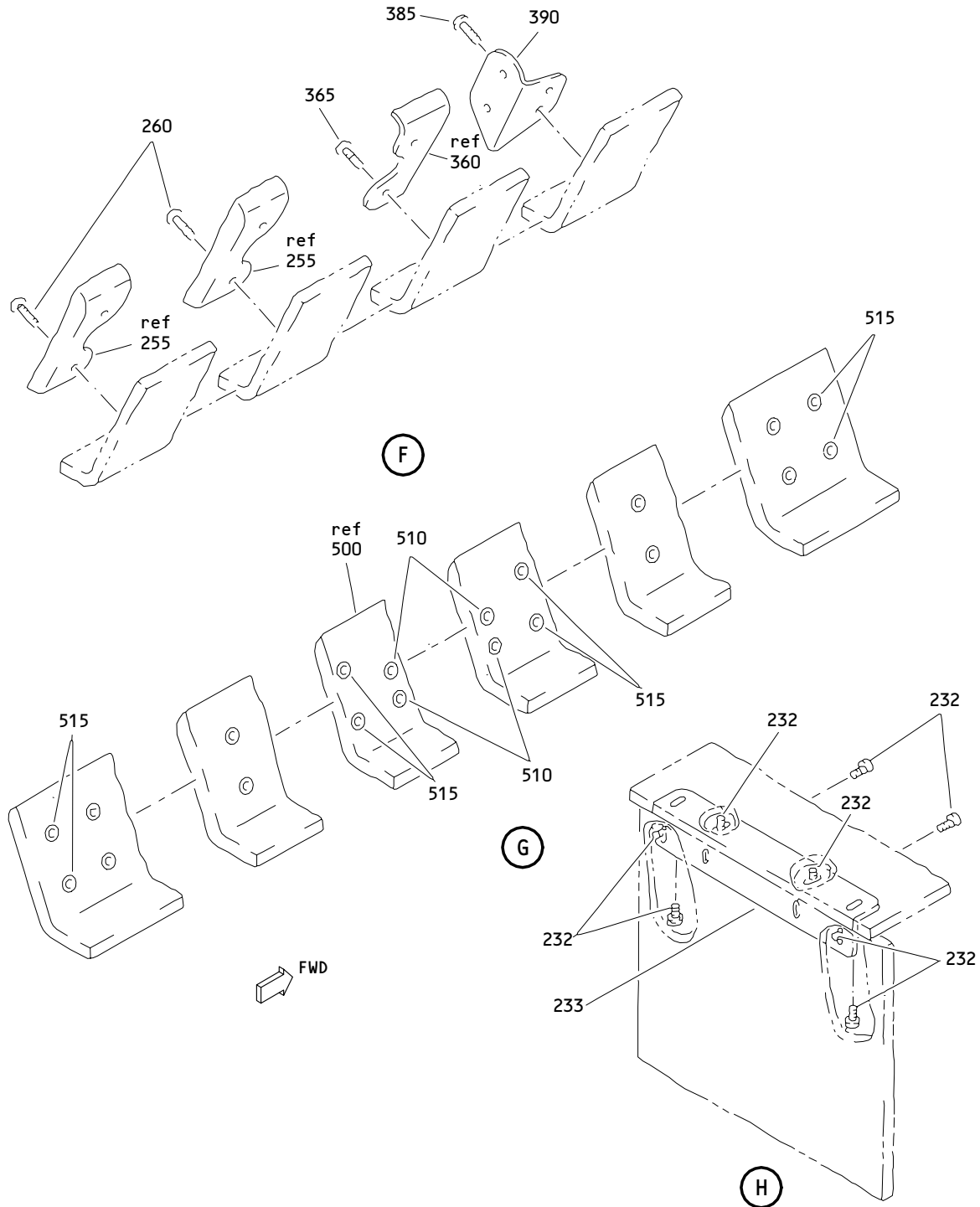
ILLUSTRATED PARTS LIST
 01.1 Page 1088L
 Mar 01/98



Center Overhead Stowage Bin Assembly
 Figure 6 (Sheet 3)

25-28-42

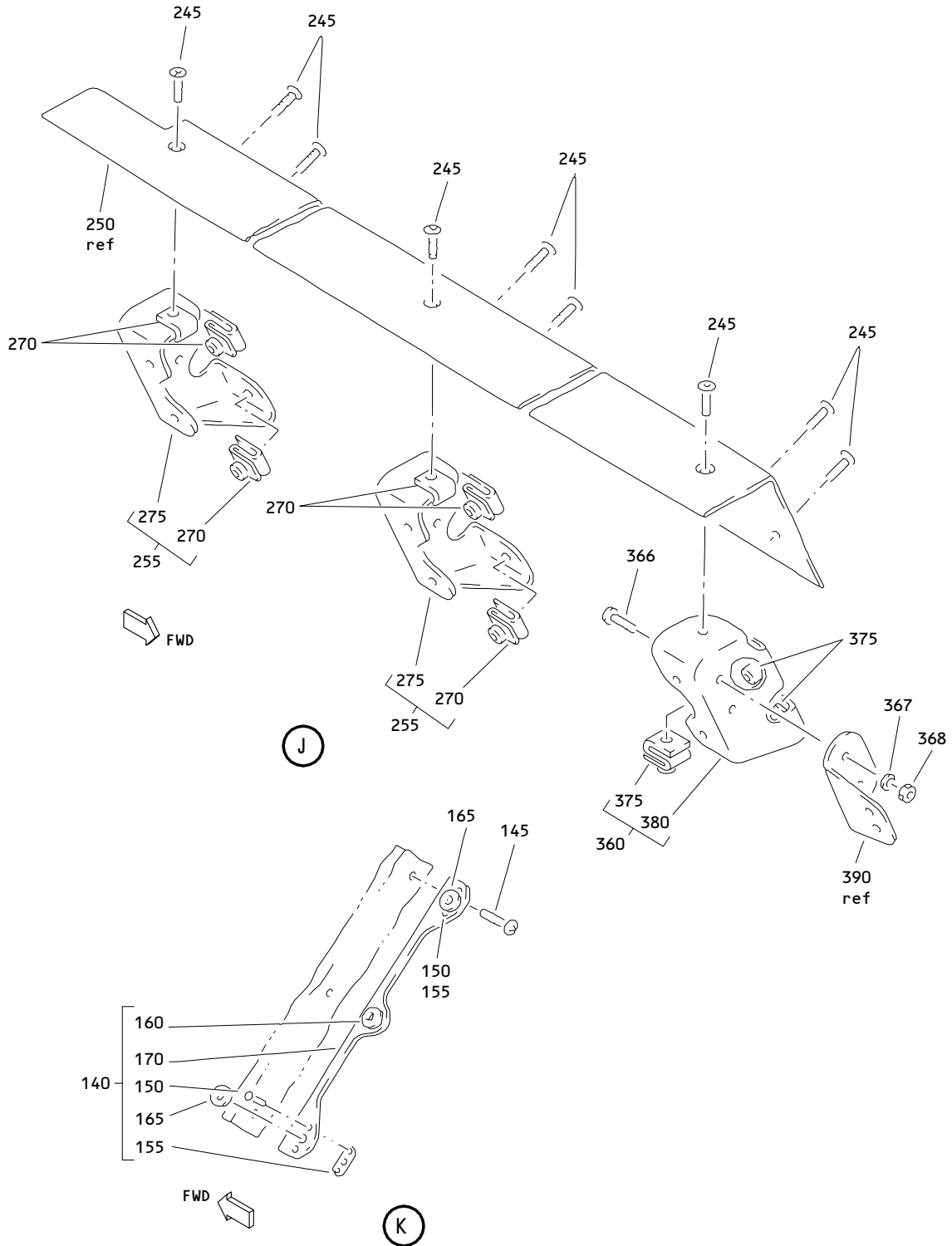
ILLUSTRATED PARTS LIST
 01.1 Page 1088M
 Mar 01/98



Center Overhead Stowage Bin Assembly
 Figure 6 (Sheet 4)

25-28-42

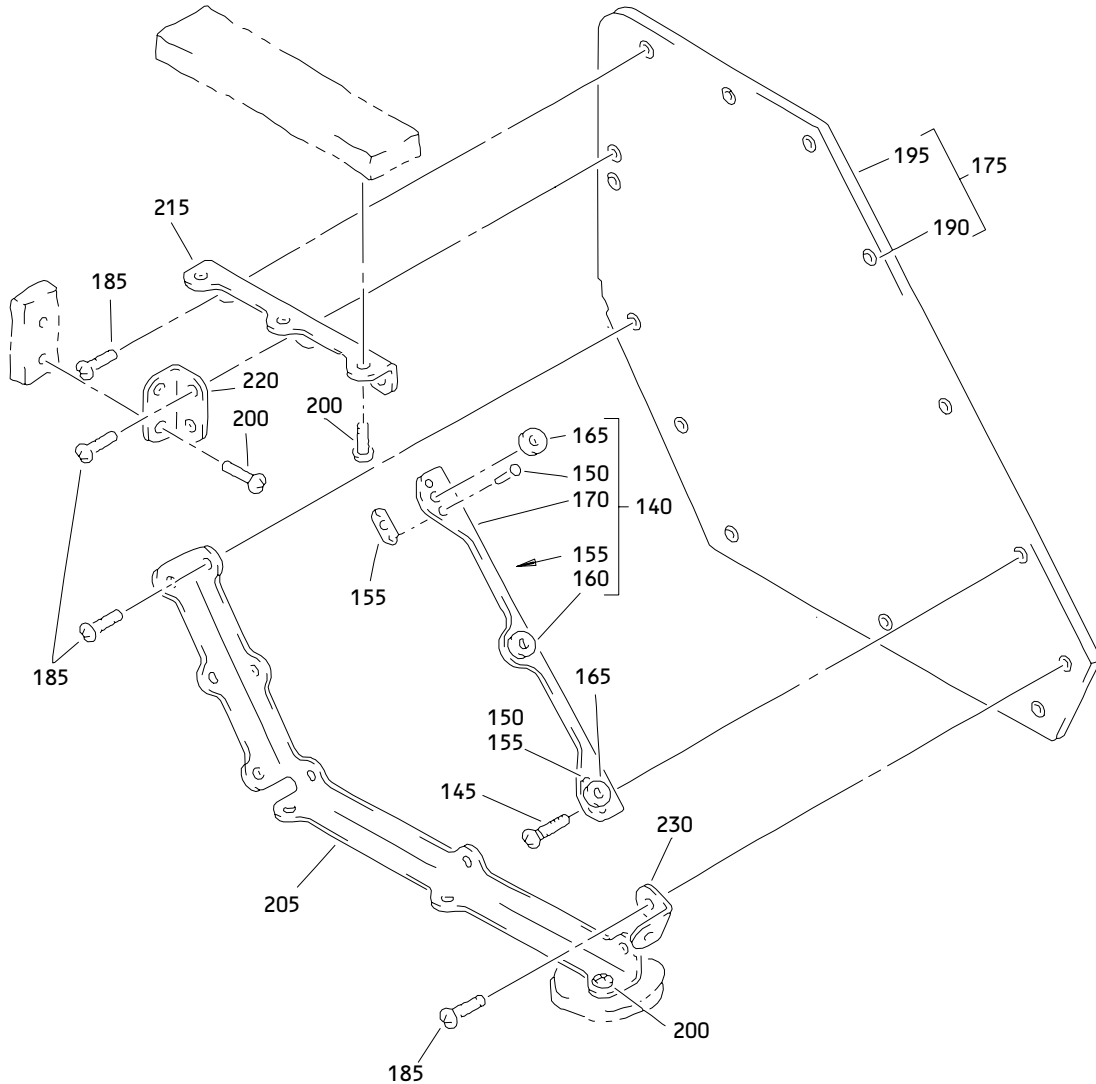
ILLUSTRATED PARTS LIST
 01.1 Page 1088N
 Mar 01/98



Center Overhead Stowage Bin Assembly
 Figure 6 (Sheet 5)

25-28-42

ILLUSTRATED PARTS LIST
 01.1 Page 10880
 Mar 01/98

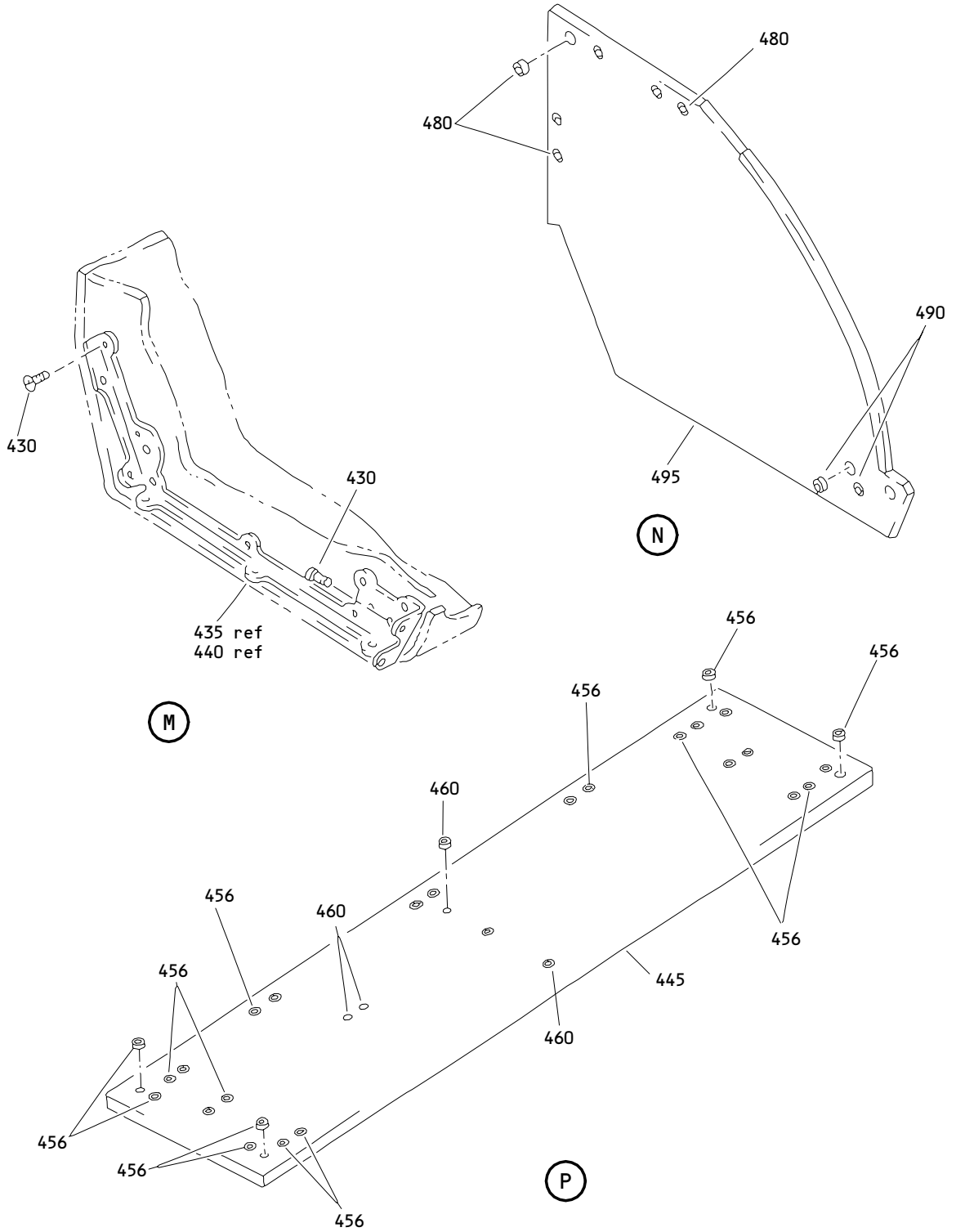


(L)

Center Overhead Stowage Bin Assembly
Figure 6 (Sheet 6)

25-28-42

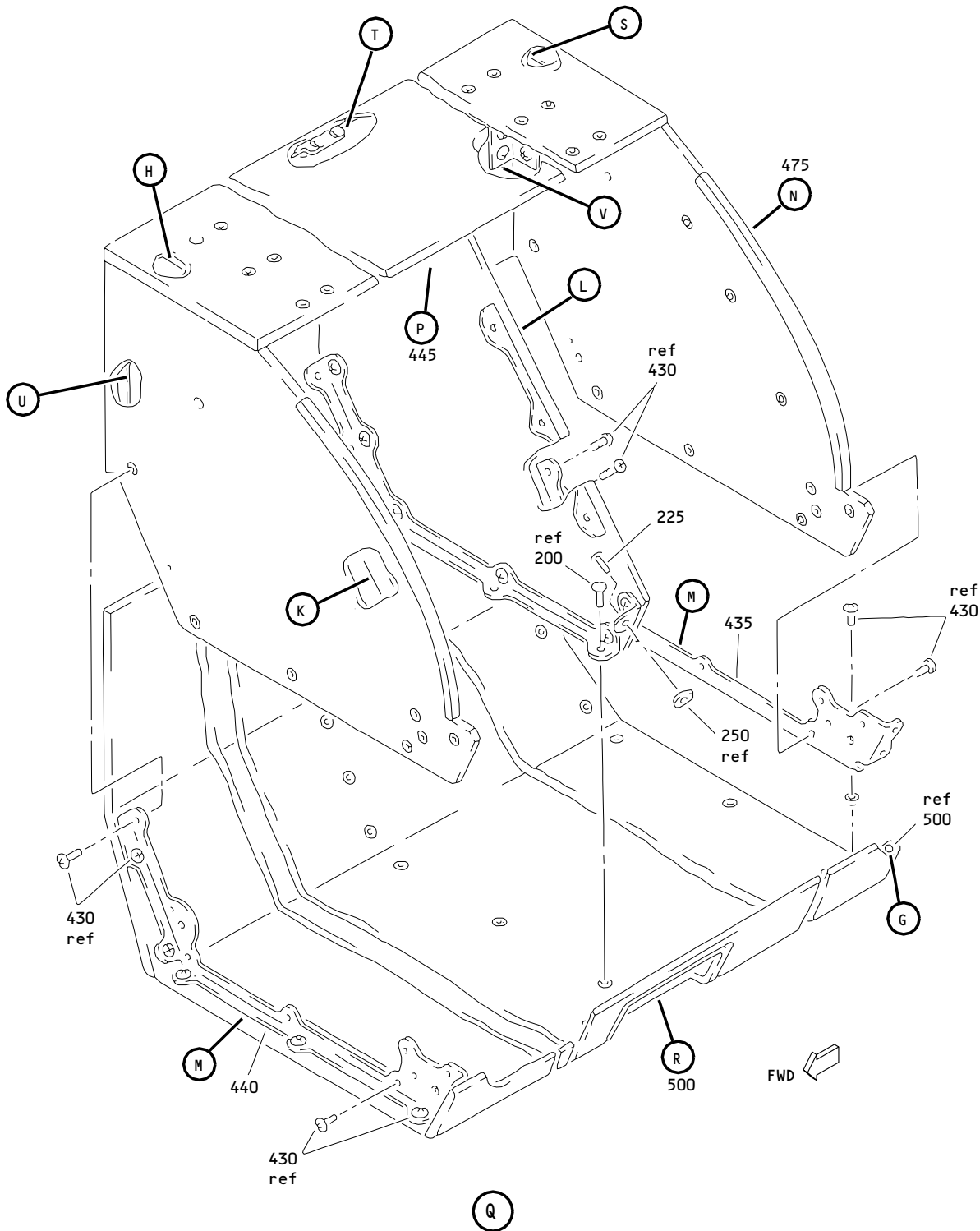
ILLUSTRATED PARTS LIST
01.1 Page 1088P
Mar 01/98



Center Overhead Stowage Bin Assembly
Figure 6 (Sheet 7)

25-28-42

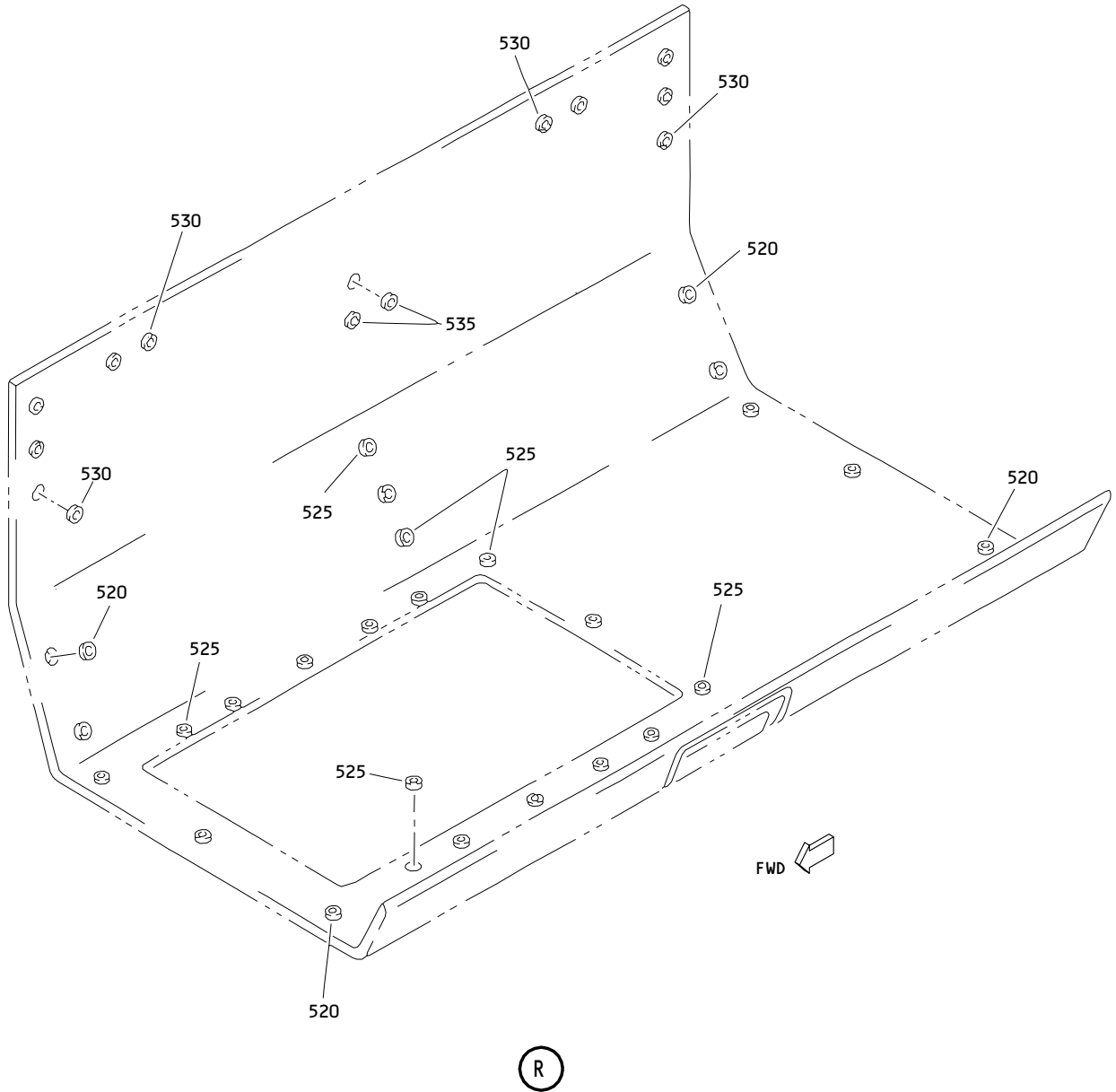
ILLUSTRATED PARTS LIST
01.1 Page 1088Q
Mar 01/98



Center Overhead Storage Bin Assembly
 Figure 6 (Sheet 8)

25-28-42

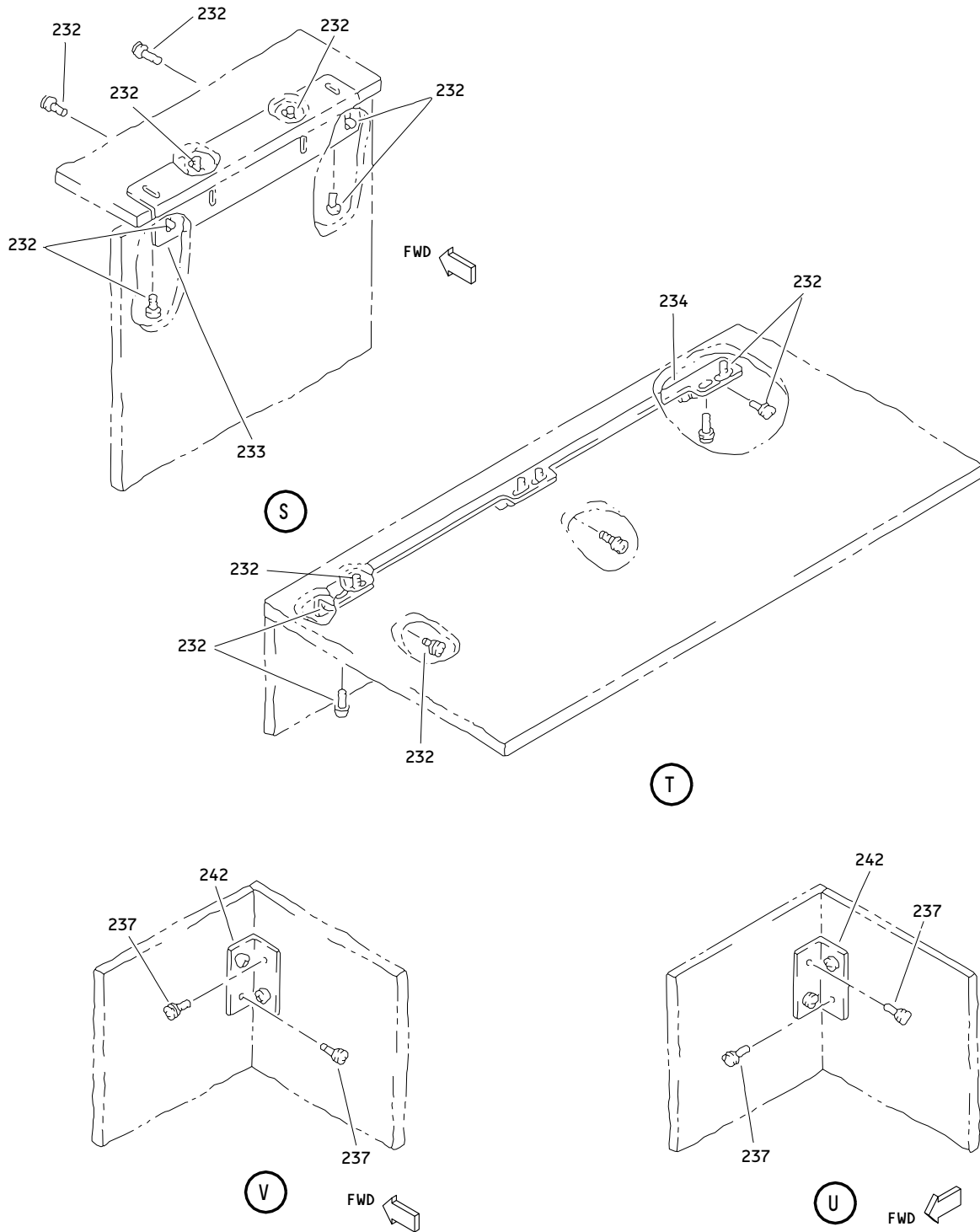
ILLUSTRATED PARTS LIST
 01.1 Page 1088R
 Mar 01/98



Center Overhead Stowage Bin Assembly
Figure 6 (Sheet 9)

25-28-42

ILLUSTRATED PARTS LIST
01.1 Page 1088S
Mar 01/98



Center Overhead Stowage Bin Assembly
 Figure 6 (Sheet 10)

25-28-42

ILLUSTRATED PARTS LIST
 01.1 Page 1088T
 Mar 01/98


BOEING
 COMPONENT
 MAINTENANCE MANUAL

FIG. & ITEM	PART NO.	AIRLINE PART NUMBER	NOMENCLATURE 1234567	EFF CODE	QTY PER ASSY
06- -1	413T1047-112SP		BIN ASSY-CTR OVERHEAD STOWAGE	BU	RF
-1A	413T1047-113SP		BIN ASSY-CTR OVERHEAD STOWAGE (LH)	BV	RF
-1B	413T1047-100SP		BIN ASSY-CTR OVERHEAD STOWAGE (LH)	CD	RF
-1C	413T1047-99SP		BIN ASSY-CTR OVERHEAD STOWAGE	CZ	RF
-5	413T1047-114SP		BIN ASSY-CTR OVERHEAD STOWGE (RH)	BW	RF
-5A	413T1047-101SP		BIN ASSY-CTR OVERHEAD STOWGE (RH)	CE	RF
10	413T1042-24		.RESTRAINT ASSY	BU-BW ,CD,C E,CZ	2
15	BACS12FA3K3		ATTACHING PARTS .SCREW	BU-BW ,CD,C E,CZ	12
20	413T1042-41		-----*----- ..RUBBER	BU-BW ,CD,C E,CZ	1
25	413T1042-25		..TEE	BU-BW ,CD,C E,CZ	1
30	413T1036-41		.BOSS ASSY	BU-BW ,CD,C E,CZ	2

25-28-42

 ILLUSTRATED PARTS LIST
 01.1 Page 1088U
 Mar 01/98

FIG. & ITEM	PART NO.	AIRLINE PART NUMBER	NOMENCLATURE 1234567	EFF CODE	QTY PER ASSY
06-35	CA18271-9		..PIN- (V26390)	BU-BW ,CD,C E,CZ	1
40	CA1825		..WASHER-RETAINING (V26390)	BU-BW ,CD,C E,CZ	1
45	413T1060-6		..WASHER	BU-BW ,CD,C E,CZ	1
50	413T1060-7		..WASHER	BU-BW ,CD,C E,CZ	1
55	413T1060-5		..WASHER	BU-BW ,CD,C E,CZ	1
60	Y47		..BEARING-NEEDLE (V60380)	BU-BW ,CD,C E,CZ	2
65	413T1036-43		..BOSS-UPR PIVOT (MALE)	BU-BW ,CD,C E,CZ	1
70	413T1036-45		.BOSS ASSY	BU-BW ,CD,C E,CZ	1
75	413T1036-46		.BOSS ASSY	BU-BW ,CD,C E,CZ	1
80	413T1036-32		..PIN	BU-BW ,CD,C E,CZ	1
85	501-0404-008		..BUSHING- (V77896)	BU-BW ,CD,C E,CZ	2

25-28-42

 ILLUSTRATED PARTS LIST
 01.1 Page 1088V
 Mar 01/98


BOEING
 COMPONENT
 MAINTENANCE MANUAL

FIG. & ITEM	PART NO.	AIRLINE PART NUMBER	NOMENCLATURE 1234567	EFF CODE	QTY PER ASSY
06-90	413T1036-47		..BOSS-PIVOT (MALE) (USED ON ITEM 70)	BU-BW ,CD,C E,CZ	1
-95	413T1036-40		..BOSS-PIVOT (MALE) (USED ON ITEM 75)	BU-BW ,CD,C E,CZ	1
100	413T1036-12		.BOSS-PIVOT (FEMALE)	BU-BW ,CD,C E,CZ	2
105	413T1036-15		.BOSS-PIVOT (FEMALE)	BU-BW ,CD,C E,CZ	1
110	413T1036-35		.BOSS-PIVOT (FEMALE)	BU-BW ,CD,C E,CZ	1
115	413T1048-81SP		DELETED		
115A	413T1048-81		.COVER ASSY	BW,CE	1
-115B	413T1048-82		.COVER ASSY	BV,CD	1
-120	413T1048-82SP		DELETED		
125	82-99-341-26		..STUD- (V94222) (SPEC BACS21AP260RP)	BV,BW ,CD,C E	4
130	BACR121AG2C		..RING	BV,BW ,CD,C E	4
132	BACG20ZD1275		DELETED		
132A	BACG20ZC000780		..GROMMET	BV,BW ,CD,C E	1
135	413T1048-83		..PANEL	BV,BW ,CD,C E	1
140	413T1049-12		DELETED		
140A	413T1039-12		.ANGLE ASSY	BV,BW ,CD,C E	2
145	BACS12FA3K3		ATTACHING PARTS .SCREW	BV,BW ,CD,C E	6
150	BACR15BA3AD		-----*----- ..RIVET- (SIZE DETERMINE ON INST)	BV,BW ,CD,C E	4

25-28-42

 ILLUSTRATED PARTS LIST
 01.1 Page 1088W
 Mar 01/98

FIG. & ITEM	PART NO.	AIRLINE PART NUMBER	NOMENCLATURE 1234567	EFF CODE	QTY PER ASSY
06-155	82-99-342-15		..RECEPTACLE- (V94222) (SPEC BACR11AM2) (OPT 2-295 (V94222))	BV,BW ,CD,C E	2
160	BACW10P79R40		..WASHER	BV,BW ,CD,C E	1
165	BACW10P111R60		..WASHER	BV,BW ,CD,C E	2
170	413T1039-15		..ANGLE	BV,BW ,CD,C E	1
175	413T1048-85SP		DELETED		
175A	413T1048-85		.BULKHEAD ASSY	BV,CD	1
-175B	413T1048-86		.BULKHEAD ASSY	BW,CE	1
-180	413T1048-86SP		DELETED		
185	BACS12FA3K3		ATTACHING PARTS .SCREW	BV,BW ,CD,C E	11
			-----*-----		
190	SL618-3A		..INSERT- (V97393)	BV,BW ,CD,C E	14
195	413T1048-87		..PANEL	BV,BW ,CD,C E	1

25-28-42

 ILLUSTRATED PARTS LIST
 01.1 Page 1088X
 Mar 01/98


BOEING
 COMPONENT
 MAINTENANCE MANUAL

FIG. & ITEM	PART NO.	AIRLINE PART NUMBER	NOMENCLATURE 1234567	EFF CODE	QTY PER ASSY
06- 200	BACS12FA3K3		. SCREW	BV,BW ,CD,C E	11
205	413T1039-31		. ANGLE	BV,CD	1
-210	413T1039-32		. ANGLE	BW,CE	1
215	413T1042-270		. ANGLE-ATTACH	BV,BW ,CD,C E	1
220	413T1042-271		. ANGLE-ATTACH	BV,BW ,CD,C E	1
225	BACR15DA4		. RIVET- (SIZE DETERMINE ON INST)	BV,BW ,CD,C E	1
230	413T1039-26		. CLIP	BV,BW ,CD,C E	1
232	BACS12FA3K4		. SCREW	BU-BW ,CD,C E,CZ	28
233	413T2072-6		. BRACKET-SIDE	BU-BW ,CD,C E,CZ	2
234	413T2072-4		. BRACKET-BACK	BU-BW ,CD,C E,CZ	1
235	NAS603-6P		DELETED		
237	BACS12FA3K4		. SCREW	BU-BW ,CD,C E,CZ	8
240	413U5008-22		DELETED		

25-28-42

 ILLUSTRATED PARTS LIST
 01.1 Page 1088Y
 Mar 01/98

FIG. & ITEM	PART NO.	AIRLINE PART NUMBER	NOMENCLATURE 1234567	EFF CODE	QTY PER ASSY
06-242	413T1047-135		.CLIP	BU-BW ,CD,C E,CZ	2
245	NAS514P1032-6		.SCREW	BU-BW ,CD,C E,CZ	18
250	413T1042-269		.THRESHOLD	BU,CZ	1
-250A	413T1042-263		.THRESHOLD	BV,CD	1
-250B	413T1042-264		.THRESHOLD	BW,CE	1
255	413T1128-7		.SUPPORT ASSY- (OPT ITEM 255A)	BU-BW ,CD,C E,CZ	2
-255A	413T1128-25		.SUPPORT ASSY- (OPT ITEM 255)	BU-BW ,CD,C E,CZ	2
260	BACS12FA3K4		ATTACHING PARTS .SCREW	BU-BW ,CD,C E,CZ	2
265	BACR15BA3D		-----*----- DELETED		
270	A4972-6-02		..NUT- (V72962) (SPEC BACN10FX16) (OPT RM52LHA4972-6-02 (V72962)) (OPT 130069 (V60119)) (OPT A11330-6-3 (V72962)) (OPT ITEM 270A) (USED ON ITEM 255)	BU-BW ,CD,C E,CZ	3

25-28-42

 ILLUSTRATED PARTS LIST
 01.1 Page 1088Z
 Mar 01/98


BOEING
 COMPONENT
 MAINTENANCE MANUAL

FIG. & ITEM	PART NO.	AIRLINE PART NUMBER	NOMENCLATURE 1234567	EFF CODE	QTY PER ASSY
06- -270A	SL2113-1		..NUT- (V97393) (OPT ITEM 270) (USED ON ITEM 255)	BU-BW ,CD,C E,CZ	3
-270B	A4972-6-02		..NUT- (V72962) (SPEC BACN10FX16) (OPT RM52LHA4972-6-02 (V72962)) (OPT 130069 (V60119)) (OPT A11330-6-3 (V72962)) (USED ON ITEM 225A)	BU-BW ,CD,C E,CZ	3
275	413T1128-9		..SUPPORT- (USED ON ITEM 255A)	BU-BW ,CD,C E,CZ	1
-275A	413T1128-23		..SUPPORT- (USED ON ITEM 255A)	BU-BW ,CD,C E,CZ	1
280	413T1128-8		.SUPPORT ASSY- (OPT ITEM 280A)	BU-BW ,CD,C E,CZ	2
-280A	413T1128-26		.SUPPORT ASSY- (OPT ITEM 280)	BU-BW ,CD,C E,CZ	2
285	BACS12FA3K4		ATTACHING PARTS .SCREW	BU-BW ,CD,C E,CZ	2

25-28-42

ILLUSTRATED PARTS LIST

01.1

Page 1089

Mar 01/98

FIG. & ITEM	PART NO.	AIRLINE PART NUMBER	NOMENCLATURE 1234567	EFF CODE	QTY PER ASSY
06-					
290	BACS12FA3K5		DELETED		
295	AN960PD10L		DELETED		
300	H10-3BAC		DELETED		
305	BACR15BA3D		DELETED		
310	A4972-6-02		..NUT- (V72962) (SPEC BACN10FX16) (OPT RM52LHA4972-6-02 (V72962)) (OPT 130069 (V60119)) (OPT A11330-6-3 (V72962)) (OPT ITEM 310A) (USED ON ITEM 280)	BU-BW ,CD,C E,CZ	3
-310A	SL2113-1		..NUT- (V97393) (OPT ITEM 310) (USED ON ITEM 280)	BU-BW ,CD,C E,CZ	3
-310B	A4972-6-02		..NUT- (V72962) (SPEC BACN10FX16) (OPT RM52LHA4972-6-02 (V72962)) (OPT 130069 (V60119)) (OPT A11330-6-3 (V72962)) (USED ON ITEM 280A)	BU-BW ,CD,C E,CZ	3
315	413T1128-10		..SUPPORT- (USED ON ITEM 280)	BU-BW ,CD,C E,CZ	1
-315A	413T1128-24		..SUPPORT- (USED ON ITEM 280A)	BU-BW ,CD,C E,CZ	1

25-28-42

ILLUSTRATED PARTS LIST

01.1

Page 1090

Mar 01/98


BOEING
 COMPONENT
 MAINTENANCE MANUAL

FIG. & ITEM	PART NO.	AIRLINE PART NUMBER	NOMENCLATURE 1234567	EFF CODE	QTY PER ASSY
06-320	413T1128-13		.SUPPORT ASSY- (OPT ITEM 320A)	BU-BW ,CD,C E,CZ	1
-320A	413T1128-25		.SUPPORT ASSY- (OPT ITEM 320)	BU-BW ,CD,C E,CZ	1
325	BACS12FA3K4		.SCREW	BU-BW ,CD,C E,CZ	2
330	BACS12FA3K5		.SCREW	BU-BW ,CD,C E,CZ	2
335	AN960PD10L		.WASHER	BU-BW ,CD,C E,CZ	2
340	H10-3BAC		.NUT- (V15653) (SPEC BACN10JC3) (OPT NS202101-02 (V80539)) (OPT RMLH9075-3W (V72962)) (OPT T6S1032J (V71087)) (OPT VN303A02 (V92215)) (OPT 96-02 (V80539)) (OPT BRH10A3 (V52828)) -----*	BU-BW ,CD,C E,CZ	2
345 350	BACR15BA3AD A4972-6-02		DELETED .NUT- (V72962) (SPEC BACN10FX16) (OPT RM52LHA4972-6-02 (V72962)) (OPT 130069 (V60119)) (OPT A11330-6-3 (V72962)) (OPT ITEM 350A) (USED ON ITEM 320)	BU-BW ,CD,C E,CZ	3

25-28-42

 ILLUSTRATED PARTS LIST
 01.1 Page 1090A
 Mar 01/98

FIG. & ITEM	PART NO.	AIRLINE PART NUMBER	NOMENCLATURE 1234567	EFF CODE	QTY PER ASSY
06- -350A	SL2113-1		..NUT- (V97393) (OPT ITEM 350) (USED ON ITEM 320)	BU-BW ,CD,C E,CZ	3
-350B	A4972-6-02		..NUT- (V72962) (SPEC BACN10FX16) (OPT RM52LHA4972-6-02 (V72962)) (OPT 130069 (V60119)) (OPT A11330-6-3 (V72962)) (USED ON ITEM 320A)	BU-BW ,CD,C E,CZ	3
355	413T1128-15		..SUPPORT- (USED ON ITEM 320)	BU-BW ,CD,C E,CZ	1
-355A	413T1128-23		..SUPPORT- (USED ON ITEM 320A)	BU-BW ,CD,C E,CZ	1
360	413T1128-14		.SUPPORT ASSY- (OPT ITEM 360A)	BU-BW ,CD,C E,CZ	1
-360A	413T1128-26		.SUPPORT ASSY- (OPT ITEM 360)	BU-BW ,CD,C E,CZ	1
365	BACS12FA3K4		ATTACHING PARTS .SCREW	BU-BW ,CD,C E,CZ	2
366	BACS12FA3K5		.SCREW	BU-BW ,CD,C E,CZ	2

25-28-42

 ILLUSTRATED PARTS LIST
 01.1 Page 1090B
 Mar 01/98


BOEING
 COMPONENT
 MAINTENANCE MANUAL

FIG. & ITEM	PART NO.	AIRLINE PART NUMBER	NOMENCLATURE 1234567	EFF CODE	QTY PER ASSY
06-367	AN960PD10L		.WASHER	BU-BW ,CD,C E,CZ	2
368	H10-3BAC		.NUT- (V15653) (SPEC BACN10JC3) (OPT NS202101-02 (V80539)) (OPT RMLH9075-3W (V72962)) (OPT T6S1032J (V71087)) (OPT VN303A02 (V92215)) (OPT 96-02 (V80539)) (OPT BRH10A3 (V52828)) -----*	BU-BW ,CD,C E,CZ	2
370 375	BACR15BA3AD A4972-6-02		DELETED .NUT- (V72962) (SPEC BACN10FX16) (OPT RM52LHA4972-6-02 (V72962)) (OPT 130069 (V60119)) (OPT A11330-6-3 (V72962)) (OPT ITEM 375A) (USED ON ITEM 360)	BU-BW ,CD,C E,CZ	3
-375A	SL2113-1		.NUT- (V97393) (OPT ITEM 375) (USED ON ITEM 360)	BU-BW ,CD,C E,CZ	3
-375B	A4972-6-02		.NUT- (V72962) (SPEC BACN10FX16) (OPT RM52LHA4972-6-02 (V72962)) (OPT 130069 (V60119)) (OPT A11330-6-3 (V72962)) (USED ON ITEM 360A)	BU-BW ,CD,C E,CZ	3

25-28-42

 ILLUSTRATED PARTS LIST
 01.1 Page 1090C
 Mar 01/98

FIG. & ITEM	PART NO.	AIRLINE PART NUMBER	NOMENCLATURE 1234567	EFF CODE	QTY PER ASSY
06-380	413T1128-16		..SUPPORT- (USED ON ITEM 360)	BU-BW ,CD,C E,CZ	1
-380A	413T1128-24		..SUPPORT- (USED ON ITEM 360A)	BU-BW ,CD,C E,CZ	1
385	BACS12FA3K5		.SCREW	BU-BW ,CD,C E,CZ	4
390	413T1042-771		.ANGLE-ATTACH	BU-BW ,CD,C E,CZ	1
390A	413T1042-267		DELETED		
395	413T1042-772		.ANGLE-ATTACH	BU-BW ,CD,C E,CZ	1
-395A	413T1042-268		DELETED		
400	501230-19		.LATCH ASSY- (V27045) (SPEC S413T103-19) (OPT ITEM 400A)	BU-BW ,CD,C E,CZ	1
-400A	501230-6		.LATCH ASSY- (V27045) (SPEC S413T103-6) (OPT ITEM 400)	BU-BW ,CD,C E,CZ	1
405	BACB30NN3K15		ATTACHING PARTS .BOLT	BU-BW ,CD,C E,CZ	4
410	AN960PD10L		DELETED		
410A	BACW10UC102P		.BOLT	BU-BW ,CD,C E,CZ	4

25-28-42


BOEING
 COMPONENT
 MAINTENANCE MANUAL

FIG. & ITEM	PART NO.	AIRLINE PART NUMBER	NOMENCLATURE 1234567	EFF CODE	QTY PER ASSY
06-415	H10-3BAC		.NUT- (V15653) (SPEC BACN10JC3) (OPT NS202101-02 (V80539)) (OPT RMLH9075-3W (V72962)) (OPT T6S1032J (V71087)) (OPT VN303A02 (V92215)) (OPT 96-02 (V80539)) (OPT BRH10A3 (V52828))	BU-BW ,CD,C E,CZ	4
-415A 420	BRH10C3D BACB30NN3K18		DELETED .BOLT	BU-BW ,CD,C E,CZ	2
425	A4972-6-02		.NUT- (V72962) (SPEC BACN10FX16) (OPT RM52LHA4972-6-02 (V72962)) (OPT 130069 (V60119)) (OPT A11330-6-3 (V72962)) -----*	BU-BW ,CD,C E,CZ	2

25-28-42

 ILLUSTRATED PARTS LIST
 01.1 Page 1090E
 Mar 01/98

FIG. & ITEM	PART NO.	AIRLINE PART NUMBER	NOMENCLATURE 1234567	EFF CODE	QTY PER ASSY
06-430	BACS12FA3K3		.SCREW	BU-BW ,CD,C E,CZ	22
435	413T1039-30		.ANGLE-ATTACH	BU-BW ,CD,C E,CZ	1
440	413T1039-29		.ANGLE-ATTACH	BU-BW ,CD,C E,CZ	1
445	413T1048-73		.PANEL ASSY-TOP	BV,CD	1
-445A	413T1048-71		.PANEL ASSY-TOP	BU,CZ	1
-450	413T1048-74		.PANEL ASSY-TOP	BW,CE	1
455	NAS1836A3-08		DELETED		
456	SL618-3A		..INSERT- (V97393)	BU-BW ,CD,C E,CZ	26
456A	SL6224-3A		DELETED		
460	SL618-3A		..INSERT- (V97393)	BV,BW ,CD,C E	5
460A	SL6224-3A		DELETED		
465	413T1048-80		..PANEL	BU-BW ,CD,C E,CZ	1
470	413T1048-59		.PANEL ASSY-END	BW,CE	1
-470A	413T1048-93		.PANEL ASSY-END	BU,BV ,CD,C Z	1
475	413T1048-60		.PANEL ASSY-END	BV,CD	1
-475A	413T1048-94		.PANEL ASSY-END	BU,BW ,CE,C Z	1
480	NAS1836A3-08		DELETED		

25-28-42

 ILLUSTRATED PARTS LIST
 01.1 Page 1090F
 Mar 01/98


BOEING
 COMPONENT
 MAINTENANCE MANUAL

FIG. & ITEM	PART NO.	AIRLINE PART NUMBER	NOMENCLATURE 1234567	EFF CODE	QTY PER ASSY
06- 480A 480B	SL6224-3A SL618-3A		DELETED ..INSERT- (V97393)	BU-BW ,CD,C E,CZ	6
485	SL618-3A		..INSERT- (V97393)	BU-BW ,CD,C E,CZ	7
485A 486 486A	SL6224-3A SL6224-3A SL618-3A		DELETED DELETED ..INSERT- (V97393)	BV,BW ,CD,C E	3
490	SL604-3-290ASP4		..INSERT- (V97393) (ITEM 490A OPTIONAL TO ITEM 490 ONLY WHEN ITEM 490 IS NOT AVAILABLE)	BU-BW ,CD,C E,CZ	2
-490A	413T1042-275		..INSERT- (ITEM 490A OPTIONAL TO ITEM 490 ONLY WHEN ITEM 490 IS NOT AVAILABLE)	BU-BW ,CD,C E,CZ	2
495	413T1048-76		..PANEL	BU-BW ,CD,C E,CZ	1
500 -500A -505 510	413T1049-94SP 413T1049-95SP 413T1049-96SP NAS1838-3-07		.BIN ASSY-LWR .BIN ASSY-LWR .BIN ASSY-LWR ..INSERT	BU,CZ BV,CD BW,CE BU-BW ,CD,C E,CZ	1 1 1 4
515	NAS618-3A		..INSERT	BU-BW ,CD,C E,CZ	16
515A 520	SL6224-3A SL618-3A		DELETED ..INSERT- (V97393)	BU-BW ,CD,C E,CZ	10
520A 525	SL6224-3A SL618-3A		DELETED ..INSERT- (V97393)	BV,BW ,CD,C E	16
525A 530	SL6224-3A NAS1836A3-08		DELETED ..INSERT- (V97393) (OPT ITEM 530A)	BU-BW ,CD,C E,CZ	10

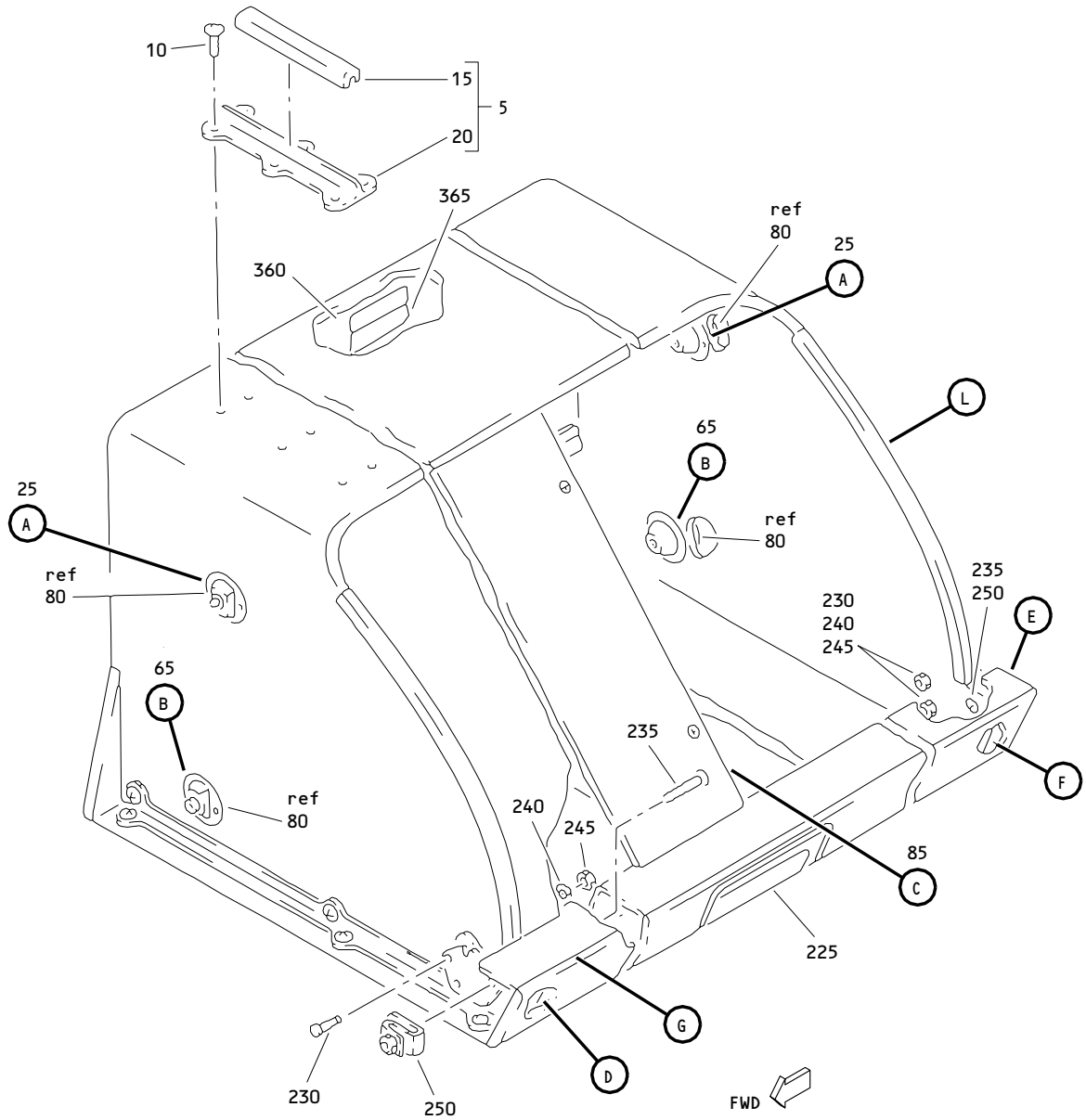
25-28-42

 ILLUSTRATED PARTS LIST
 01.1 Page 1090G
 Mar 01/98

FIG. & ITEM	PART NO.	AIRLINE PART NUMBER	NOMENCLATURE 1234567	EFF CODE	QTY PER ASSY
06- -530A	NAS1836-3-08		..INSERT- (V97393) (OPT ITEM 530)	BU-BW ,CD,C E,CZ	10
535	NAS1836A3-08		..INSERT- (V97393) (OPT ITEM 535A)	BV,BW ,CD,C E	2
-535A	NAS1836-3-08		..INSERT- (V97393) (OPT ITEM 535)	BV,BW ,CD,C E	2
540	BAC27TPPS0251		.DECAL-BIN MUST BE LATCHED CLOSED LIMIT LOAD 80 LB/ 36 KG	BU,CZ	1
-540A	BAC27TPPS0252		.DECAL-BIN MUST BE LATCHED CLOSED LIMIT LOAD 40LB/ 18 KG	BV,BW ,CD,C E	1

25-28-42

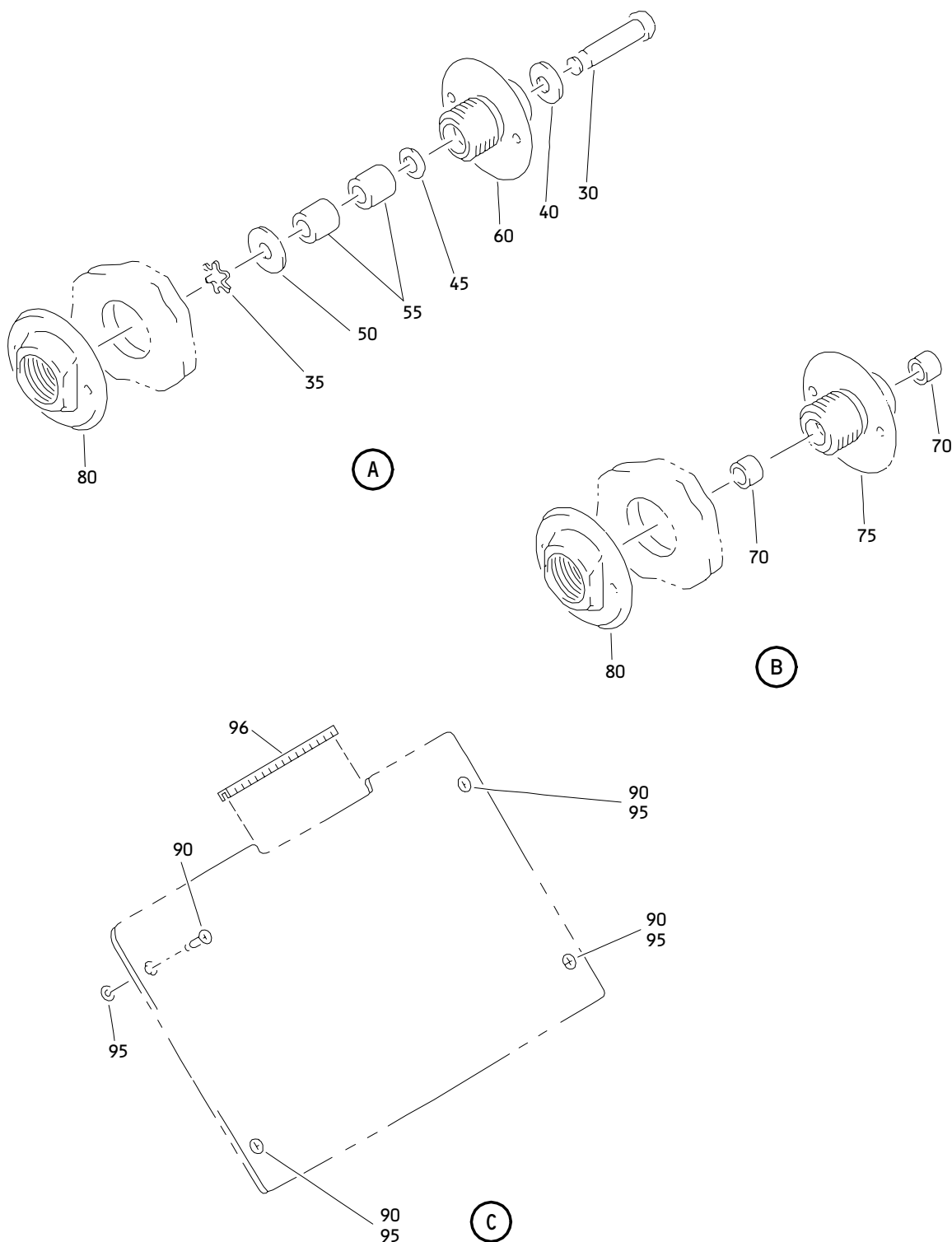
 ILLUSTRATED PARTS LIST
 01.1 Page 1090H
 Mar 01/98



Center Overhead Stowage Bin Assembly
Figure 7 (Sheet 1)

25-28-42

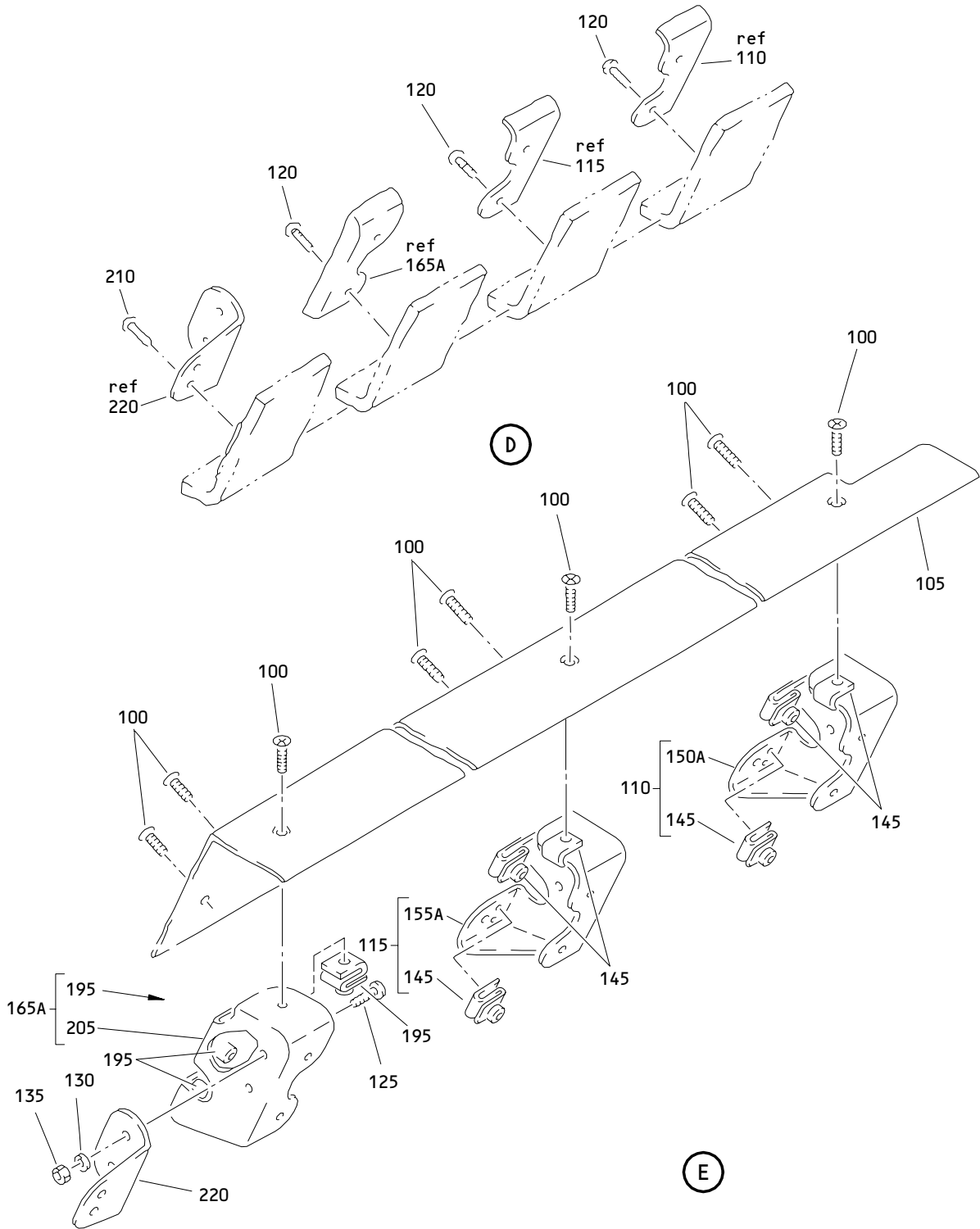
ILLUSTRATED PARTS LIST
01.1 Page 1090I
Mar 01/98



Center Overhead Stowage Bin Assembly
 Figure 7 (Sheet 2)

25-28-42

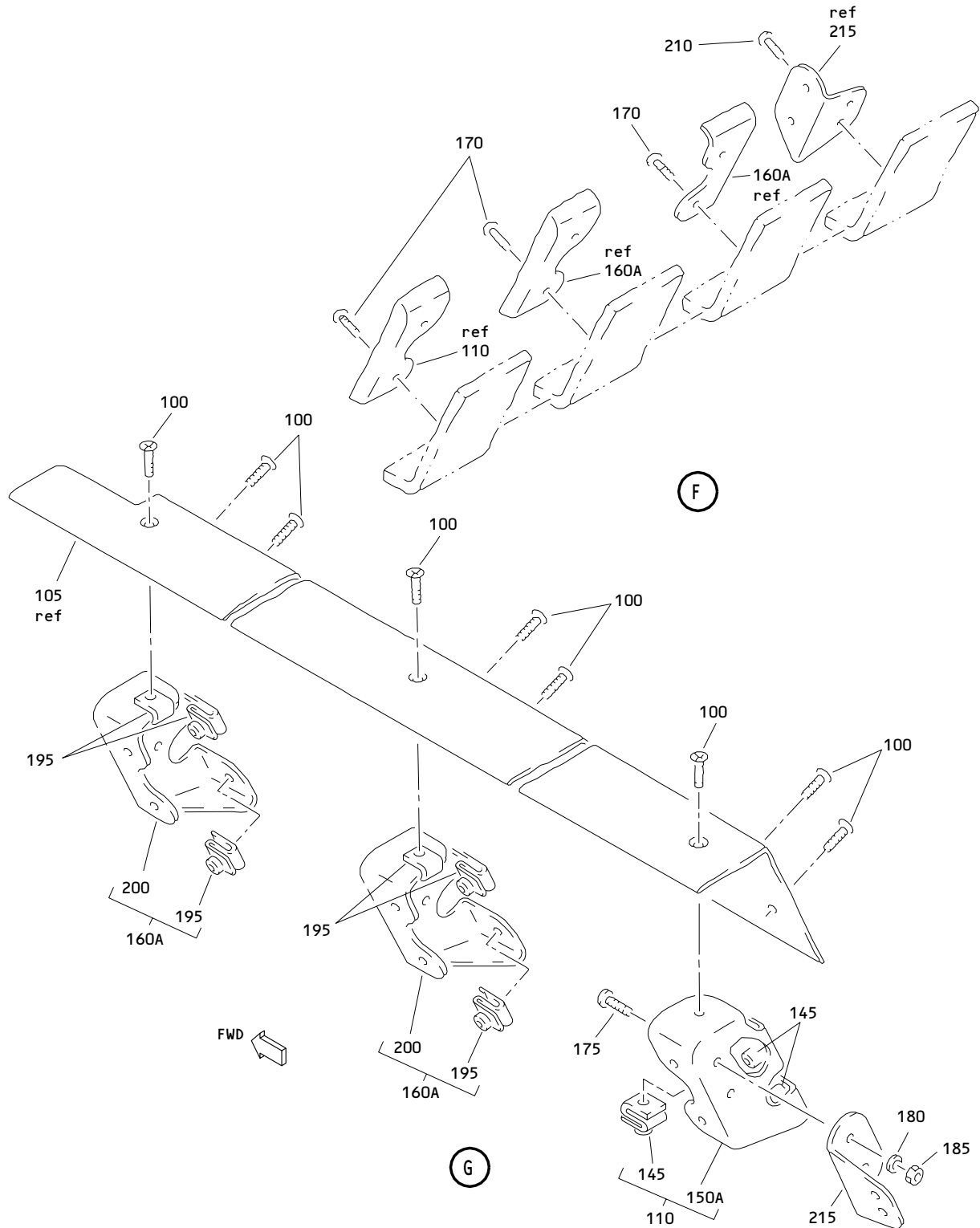
ILLUSTRATED PARTS LIST
 01.1 Page 1090J
 Mar 01/98



Center Overhead Stowage Bin Assembly
Figure 7 (Sheet 3)

25-28-42

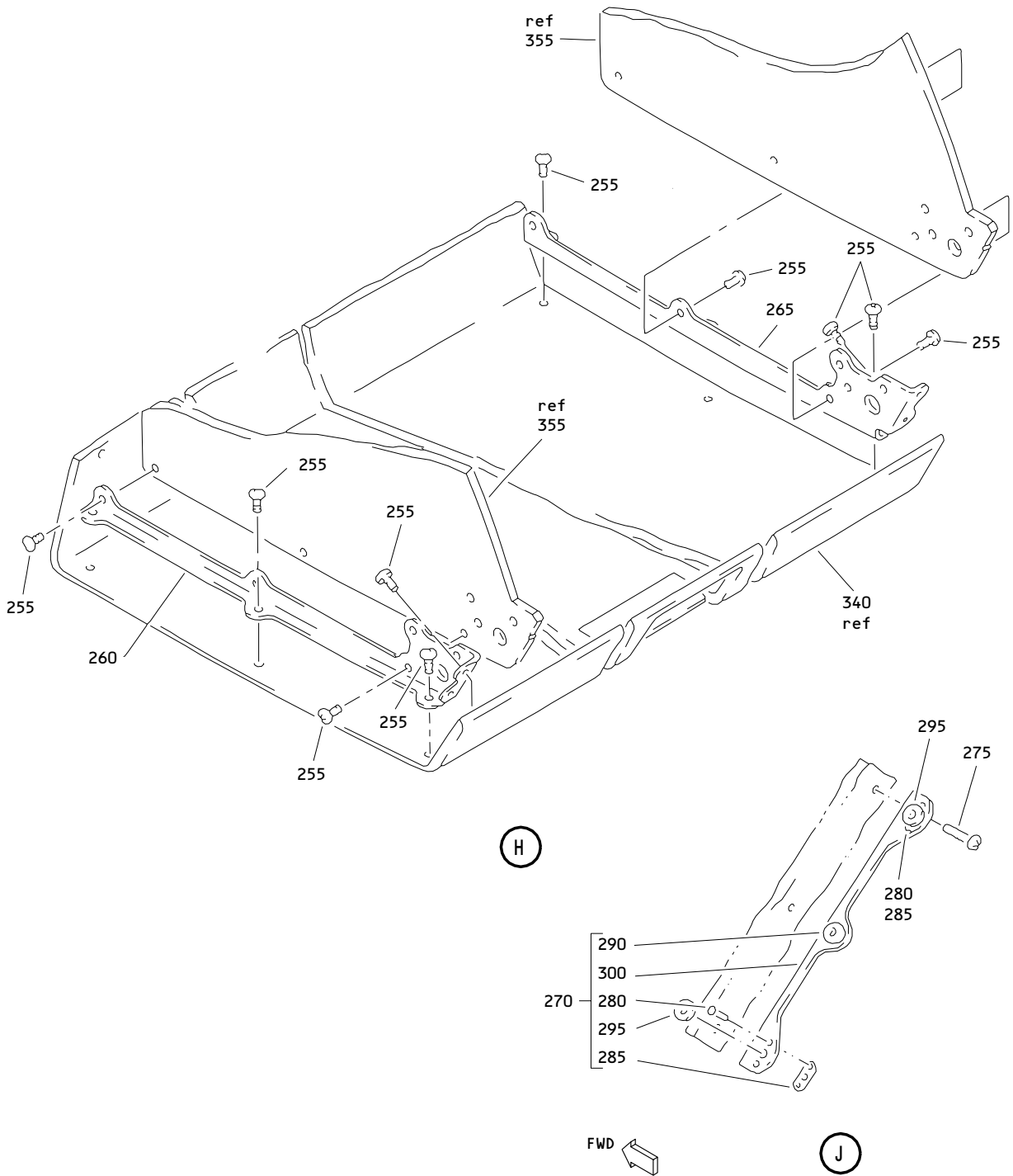
ILLUSTRATED PARTS LIST
01.1 Page 1090K
Mar 01/98



Center Overhead Stowage Bin Assembly
 Figure 7 (Sheet 4)

25-28-42

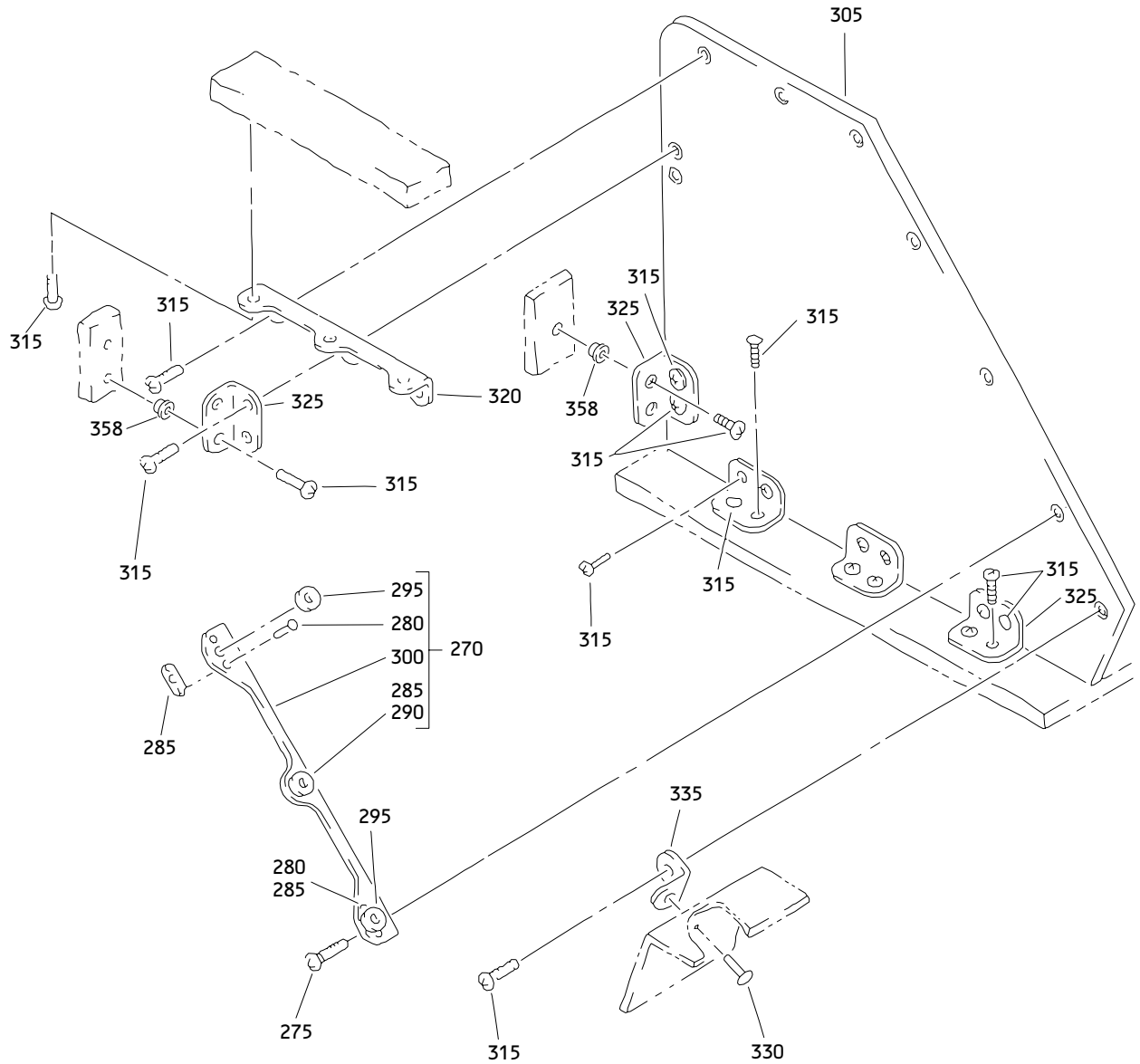
ILLUSTRATED PARTS LIST
 01.1 Page 1090L
 Mar 01/98



Center Overhead Stowage Bin Assembly
Figure 7 (Sheet 5)

25-28-42

ILLUSTRATED PARTS LIST
01.1 Page 1090M
Mar 01/98

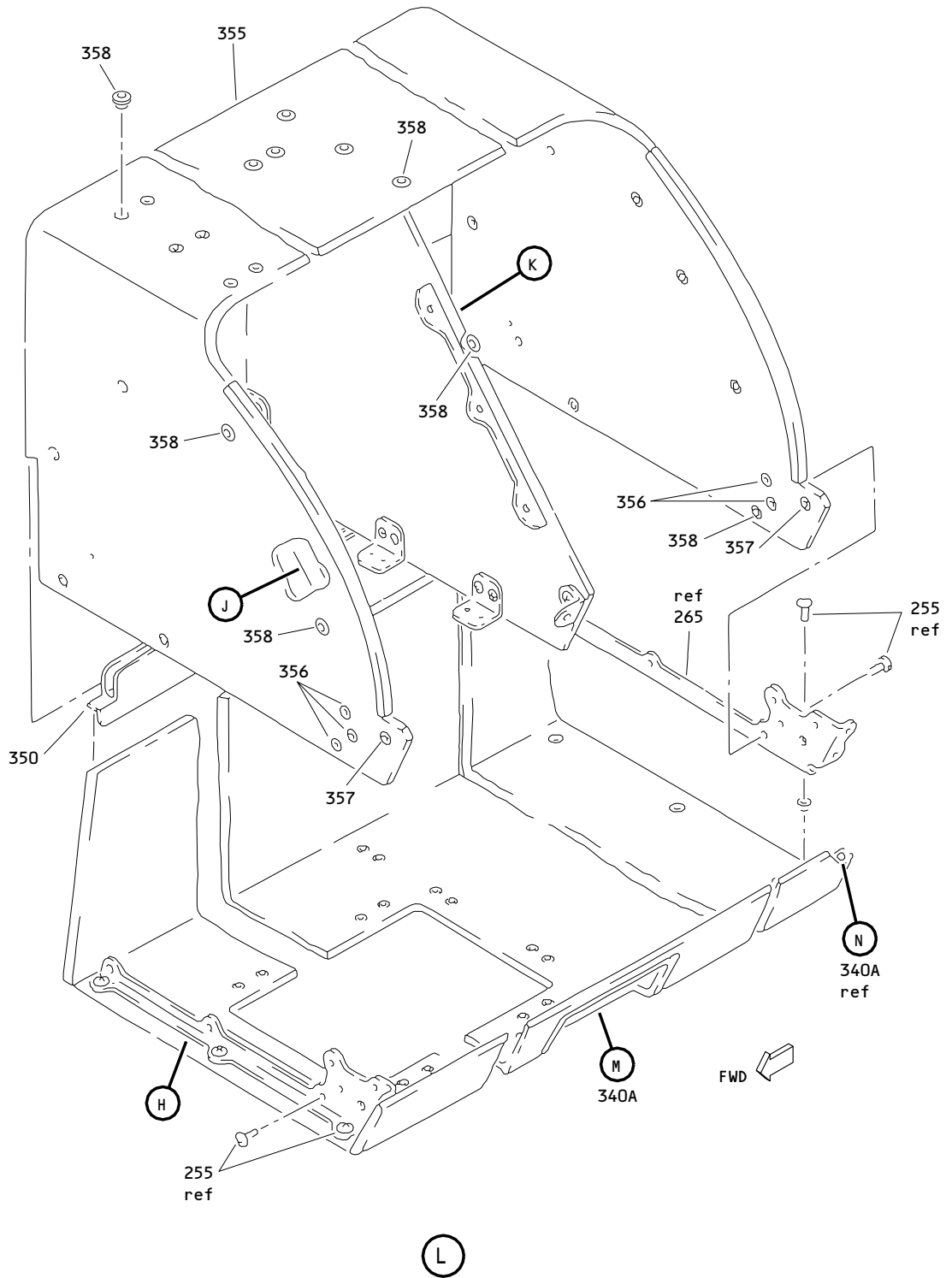


(K)

Center Overhead Stowage Bin Assembly
 Figure 7 (Sheet 6)

25-28-42

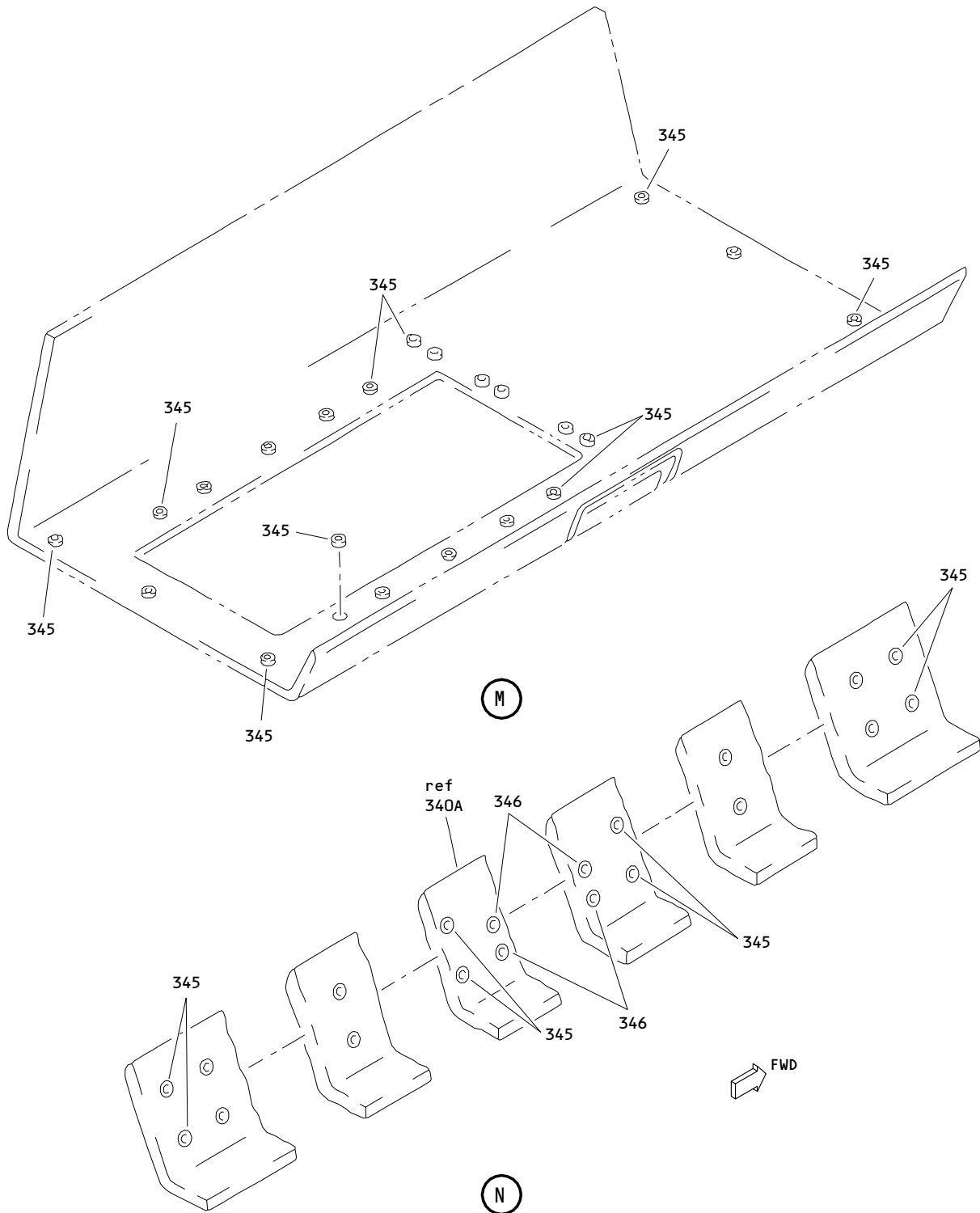
ILLUSTRATED PARTS LIST
 01.1 Page 1090N
 Mar 01/98



Center Overhead Stowage Bin Assembly
Figure 7 (Sheet 7)

25-28-42

ILLUSTRATED PARTS LIST
01.1 Page 10900
Mar 01/98



Center Overhead Storage Bin Assembly
Figure 7 (Sheet 8)

25-28-42

ILLUSTRATED PARTS LIST
01.1 Page 1090P
Mar 01/98


BOEING
 COMPONENT
 MAINTENANCE MANUAL

FIG. & ITEM	PART NO.	AIRLINE PART NUMBER	NOMENCLATURE 1234567	EFF CODE	QTY PER ASSY
07- -1	413T1047-129SP		BIN ASSY-CTR OVERHEAD STOWAGE	CC	RF
5	413T1042-24		.RESTRAINT ASSY ATTACHING PARTS	CC	1
10	BACS12FA3K3		.SCREW -----*-----	CC	6
15	413T1042-41		..RUBBER	CC	1
20	413T1042-25		..TEE	CC	1
25	413T1036-41		.BOSS ASSY	CC	2
30	CA18271-9		..PIN- (V26390)	CC	1
35	CA1825		..WASHER-RETAINING (V26390)	CC	1
40	413T1060-6		..WASHER	CC	1
45	413T1060-7		..WASHER	CC	1
50	413T1060-5		..WASHER	CC	1
55	Y47		..BEARING-NEEDLE (V60380)	CC	2
60	413T1036-43		..BOSS-UPR PIVOT (MALE)	CC	1
65	413T1036-42		.BOSS ASSY	CC	2
70	501-0404-008		..BUSHING- (V77896)	CC	2
75	413T1036-44		..BOSS-LOWER PIVOT (MALE)	CC	1
80	413T1036-12		.BOSS-PIVOT (FEMALE)	CC	4
85	413T1049-41		.COVER ASSY	CC	1
90	BACS21AP240R		..STUD	CC	4
95	BACR12AG2C		..RING	CC	4
96	BACG20ZD635		..GROMMET	CC	1
100	NAS514P1032-6		.SCREW	CC	18
105	413T1042-1535		.THRESHOLD	CC	1
110	413T1128-8		.SUPPORT ASSY	CC	2
115	413T1128-14		.SUPPORT ASSY ATTACHING PARTS	CC	1
120	BACS12FA3K4		.SCREW	CC	6
125	BACS12FA3K5		.SCREW	CC	2
130	AN960PD10L		.WASHER	CC	2

25-28-42

 ILLUSTRATED PARTS LIST
 01.1 Page 1090Q
 Mar 01/98

FIG. & ITEM	PART NO.	AIRLINE PART NUMBER	NOMENCLATURE 1234567	EFF CODE	QTY PER ASSY
07-135	H10-3BAC		.NUT- (V15653) (SPEC BACN10JC3) (OPT NS202101-02 (V80539)) (OPT RMLH9075-3W (V72962)) (OPT T6S1032J (V71087)) (OPT VN303A02 (V92215)) (OPT 96-02 (V80539)) (OPT BRH10A3 (V52828)) (OPT ITEM 135A)	CC	2
-135A	BACN10JC3CD		.NUT- (OPT ITEM 135) -----*-----	CC	2
140	BACR15BA3D		DELETED		
145	A4972-6-02		..NUT- (V72962) (SPEC BACN10FX16) (OPT RM52LHA4972-6-02 (V72962)) (OPT 130069 (V60119)) (OPT A11330-6-3 (V72962)) (OPT ITEM 145A)	CC	3
-145A	SL2113-1		..NUT- (OPT ITEM 145)	CC	3
150	412N1128-10		DELETED		
150A	413T1128-10		..SUPPORT- (USED ON ITEM 110)	CC	1
155	412N1128-16		DELETED		
155A	413T1128-16		..SUPPORT- (USED ON ITEM 115)	CC	1
160	412N1128-7		DELETED		
160A	413T1128-7		.SUPPORT ASSY	CC	2
165	412N1128-13		DELETED		
165A	413T1128-13		.SUPPORT ASSY ATTACHING PARTS	CC	1
170	BACS12FA3K4		.SCREW	CC	6
175	BACS12FA3K5		.SCREW	CC	2

25-28-42

 ILLUSTRATED PARTS LIST
 01.1 Page 1090R
 Mar 01/98


BOEING
 COMPONENT
 MAINTENANCE MANUAL

FIG. & ITEM	PART NO.	AIRLINE PART NUMBER	NOMENCLATURE 1234567	EFF CODE	QTY PER ASSY
07-					
180	AN960PD10L		.WASHER	CC	2
185	H10-3BAC		.NUT- (V15653) (SPEC BACN10JC3) (OPT NS202101-02 (V80539)) (OPT RMLH9075-3W (V72962)) (OPT T6S1032J (V71087)) (OPT VN303A02 (V92215)) (OPT 96-02 (V80539)) (OPT BRH10A3 (V52828)) (OPT ITEM 185A)	CC	2
-185A	BACN10JC3CD		.NUT- (OPT ITEM 185) -----*	CC	2
190	BACR15BA3D		DELETED		
195	A4972-6-02		..NUT- (V72962) (SPEC BACN10FX16) (OPT RM52LHA4972-6-02 (V72962)) (OPT 130069 (V60119)) (OPT A11330-6-3 (V72962)) (OPT ITEM 195A)	CC	3
-195A	SL2113-1		..NUT- (OPT ITEM 195)	CC	3
200	413T1128-9		..SUPPORT- (USED ON ITEM 160)	CC	1
205	413T1128-15		..SUPPORT- (USED ON ITEM 165)	CC	1
210	BACS12FA3K5		.SCREW	CC	4
215	413T1042-771		.ANGLE-ATTACH	CC	1
220	413T1042-772		.ANGLE-ATTACH	CC	1
225	S413T103-30		.LATCH ASSY	CC	1
230	BACB30NN3K15		.BOLT	CC	4
235	BACB30NN3K18		.BOLT	CC	2
240	AN960JD10L		.WASHER	CC	4

25-28-42

 ILLUSTRATED PARTS LIST
 01.1 Page 1090S
 Mar 01/98

FIG. & ITEM	PART NO.	AIRLINE PART NUMBER	NOMENCLATURE 1234567	EFF CODE	QTY PER ASSY
07-245	BACN10JC3CD		.NUT- (OPT ITEM 245A)	CC	4
-245A	H10-3BAC		.NUT- (V15653) (SPEC BACN10JC3) (OPT NS202101-02 (V80539)) (OPT RMLH9075-3W (V72962)) (OPT T6S1032J (V71087)) (OPT VN303A02 (V92215)) (OPT 96-02 (V80539)) (OPT BRH10A3 (V52828)) (OPT ITEM 245)	CC	4
250	130120		.NUT- (V60119) (SPEC BACN10YD1) (OPT BRC600-8-3 (V52828))	CC	2
255	BACS12FA3K3		.SCREW	CC	16
260	413T1039-27		.ANGLE-ATTACH	CC	1
265	413T1039-28		.ANGLE-ATTACH	CC	1
270	413T1039-12		.ANGLE ASSY ATTACHING PARTS	CC	2
275	BACS12FA3K3		.SCREW -----*-----	CC	6
280	BACR15BA3AD		..RIVET- (SIZE DETERMINE ON INST)	CC	4
285	82-99-342-15		..RECEPTACLE- (V94222) (SPEC BACR11AM2) (OPT 2-295 (V94222))	CC	2
290	BACW10P79R40		..WASHER	CC	1
295	BACW10P111R60		..WASHER	CC	2
300	413T1039-15		..ANGLE	CC	1
305	413T1048-89		.BULKHEAD ASSY	CC	1
315	BACS12FA3K3		.SCREW	CC	27
320	413T1042-270		.ANGLE-ATTACH	CC	1
325	413T1042-271		.ANGLE-ATTACH	CC	5

25-28-42

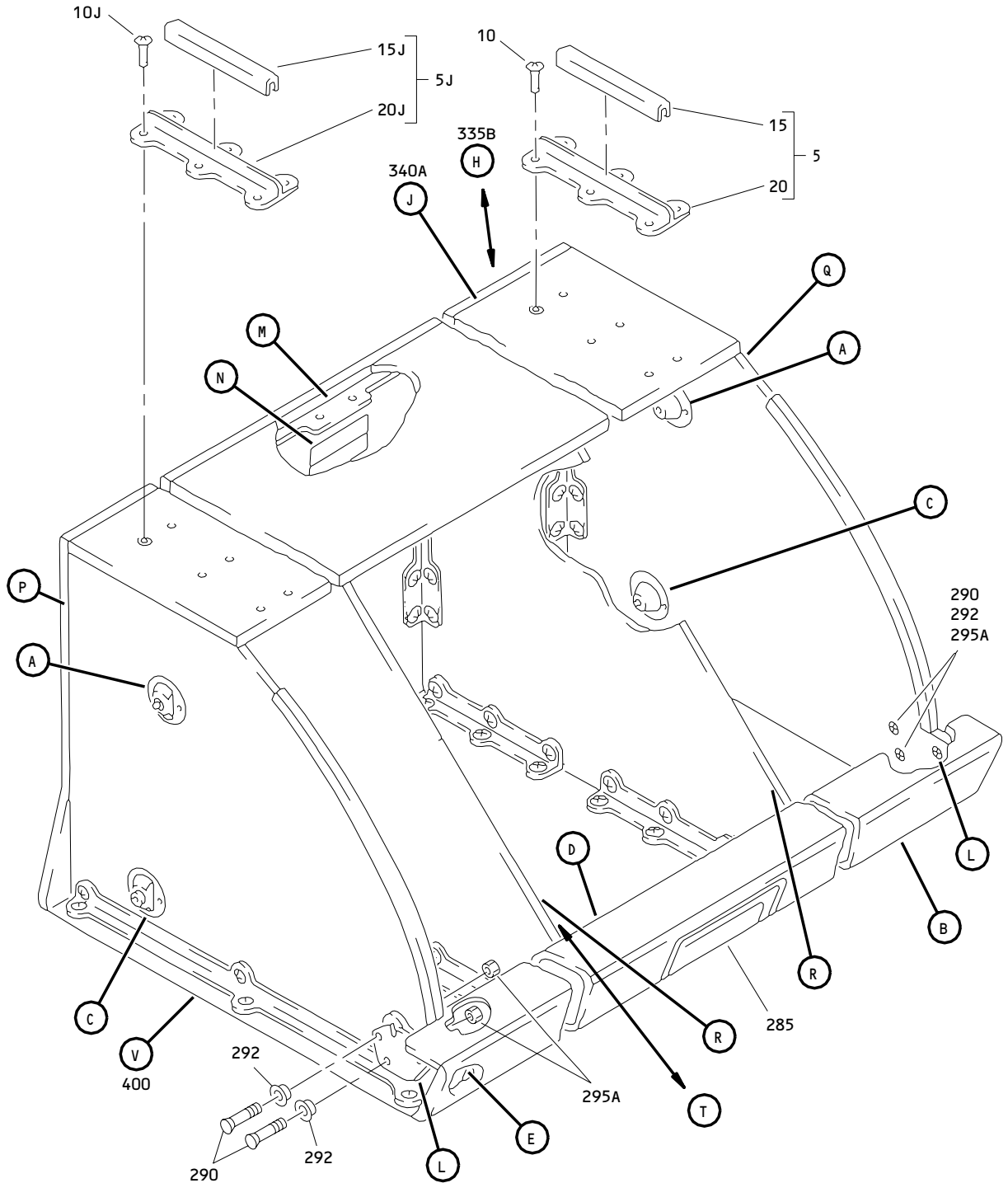
 ILLUSTRATED PARTS LIST
 01.1 Page 1090T
 Mar 01/98


BOEING
 COMPONENT
 MAINTENANCE MANUAL

FIG. & ITEM	PART NO.	AIRLINE PART NUMBER	NOMENCLATURE 1234567	EFF CODE	QTY PER ASSY
07-330	BACR15DA4		.RIVET- (SIZE DETERMINE ON INST)	CC	1
335	413T1039-26		.CLIP	CC	1
340	413T1049-133		DELETED		
340A	413T1049-133SP		.BIN ASSY-LWR	CC	1
345	SL618-3A		..INSERT- (V97393)	CC	38
346	NAS1836-3-07		..INSERT	CC	4
350	413T1042-1031		.JOINT-SECTION	CC	1
355	413T1048-91		.BIN ASSY-UPR	CC	1
356	SL604-3-290ASP4		..INSERT- (V97393) (ITEM 356A OPTIONAL TO ITEM 356 ONLY WHEN ITEM 356 IS NOT AVAILABLE)	CC	4
-356A	413T1042-275		..INSERT- (ITEM 356A OPTIONAL TO ITEM 356 ONLY WHEN ITEM 356 IS NOT AVAILABLE)	CC	4
357	NAS1834A3-290		..INSERT	CC	2
358	SL618-3A		..INSERT- (V97393)	CC	22
360	BAC29PPS2173		.DECAL-LATCH BIN CLOSED	CC	1
365	BAC29PPS5309		.DECAL-LOAD LIMIT 66LB/30KG	CC	1

25-28-42

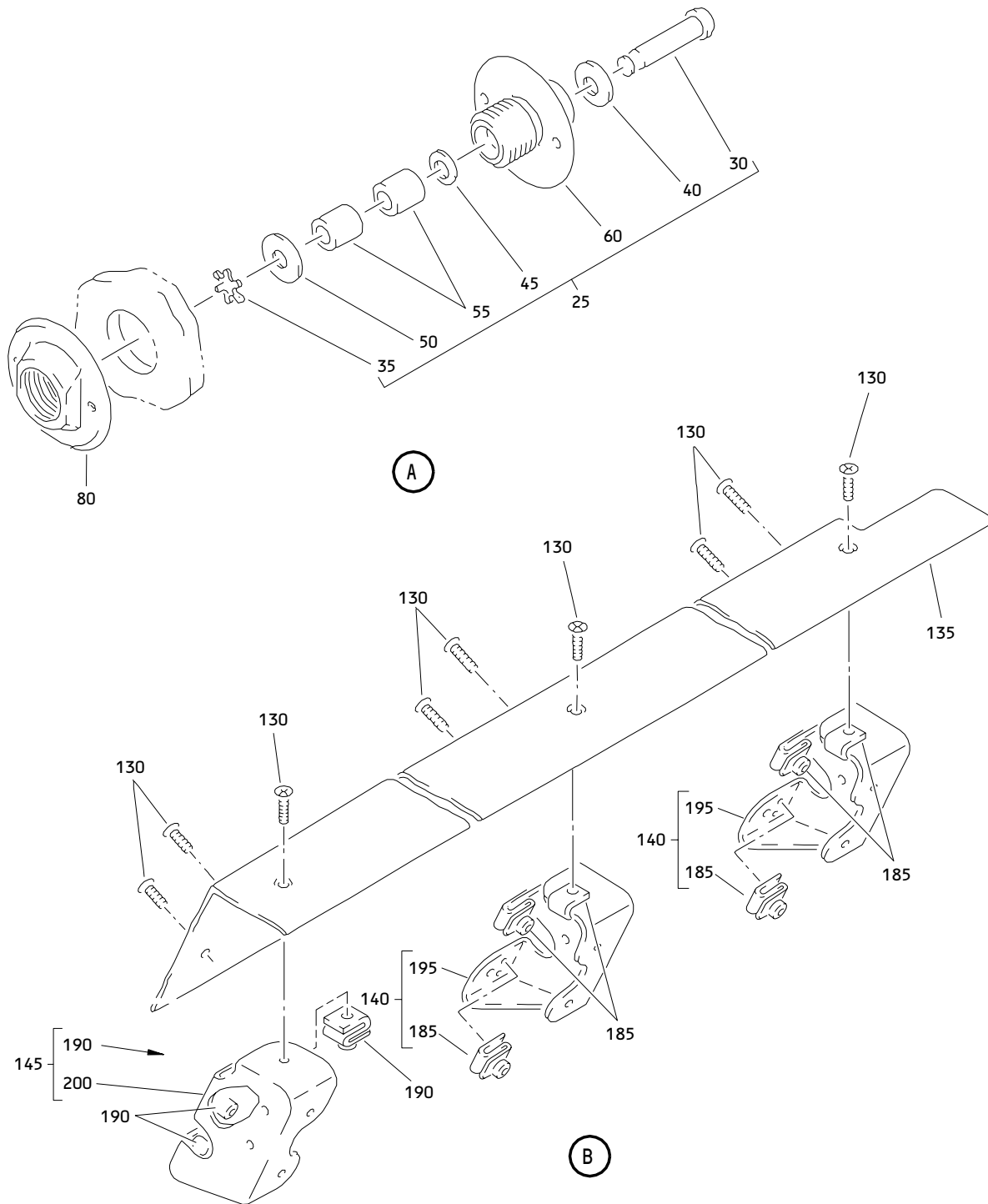
 ILLUSTRATED PARTS LIST
 01.1 Page 1090U
 Mar 01/98



Center Overhead Storage Bin Assembly
 Figure 8 (Sheet 1)

25-28-42

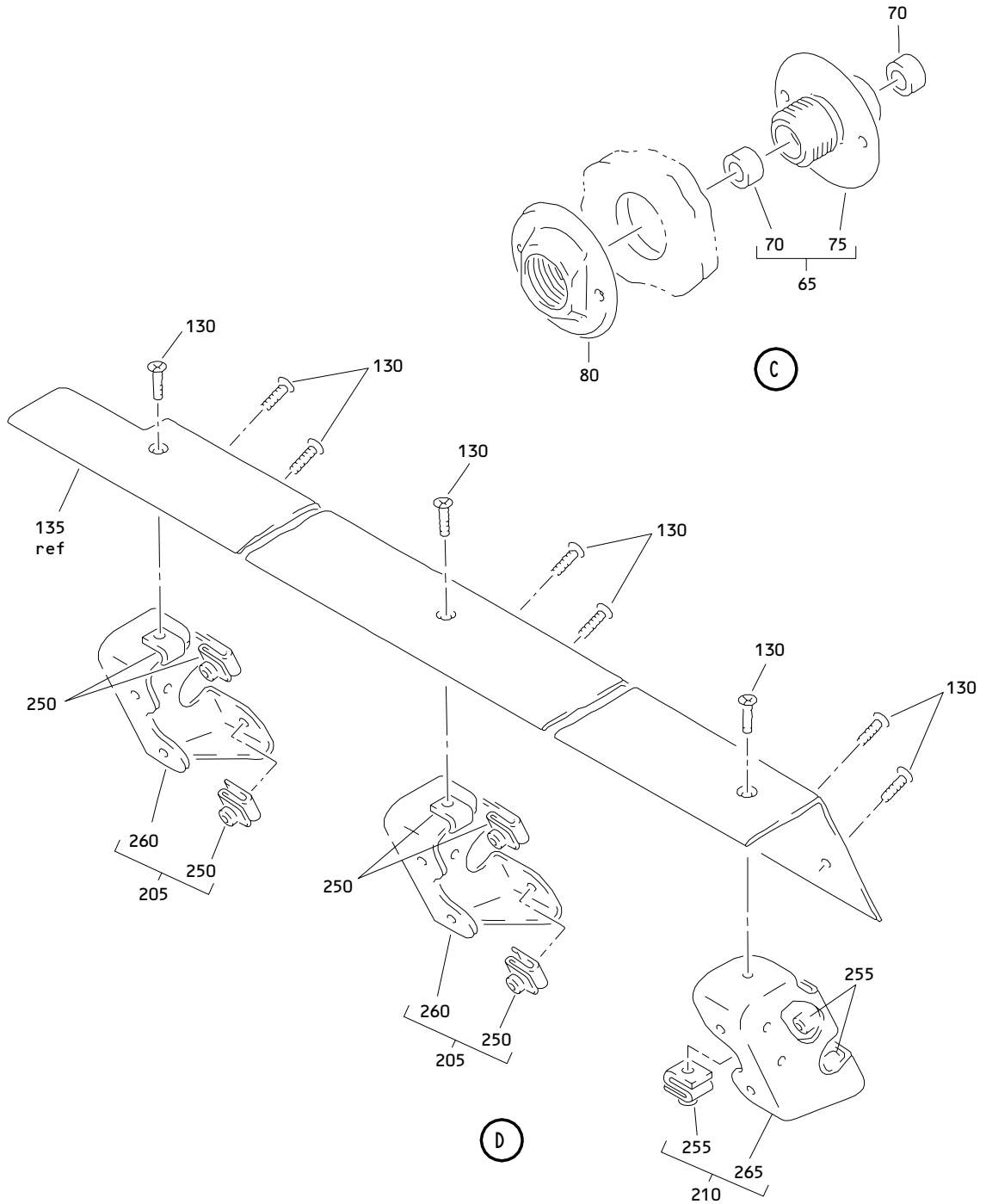
ILLUSTRATED PARTS LIST
 01.1 Page 1090W
 Mar 01/98



Center Overhead Stowage Bin Assembly
 Figure 8 (Sheet 2)

25-28-42

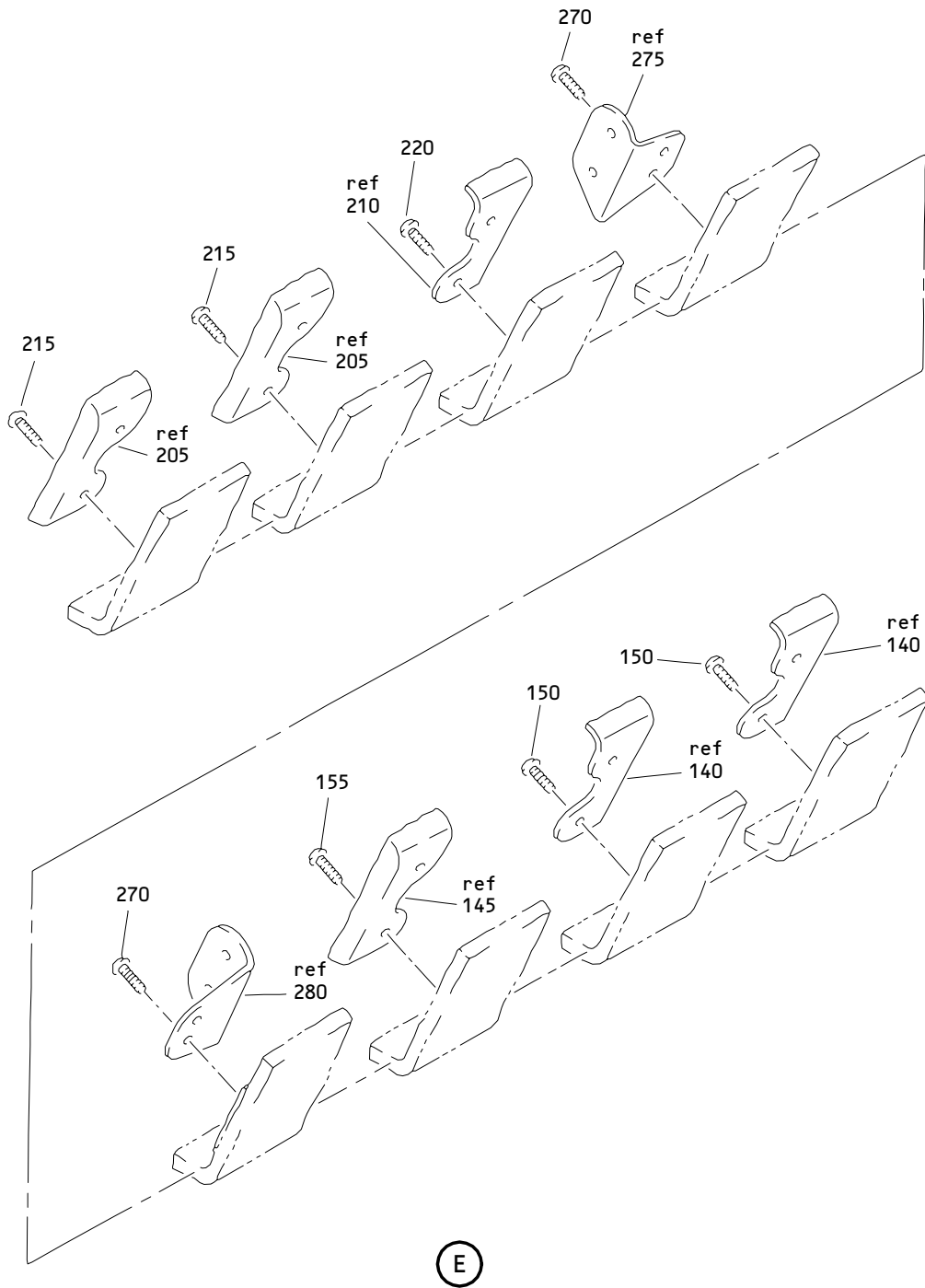
ILLUSTRATED PARTS LIST
 01.1 Page 1090X
 Mar 01/98



Center Overhead Storage Bin Assembly
Figure 8 (Sheet 3)

25-28-42

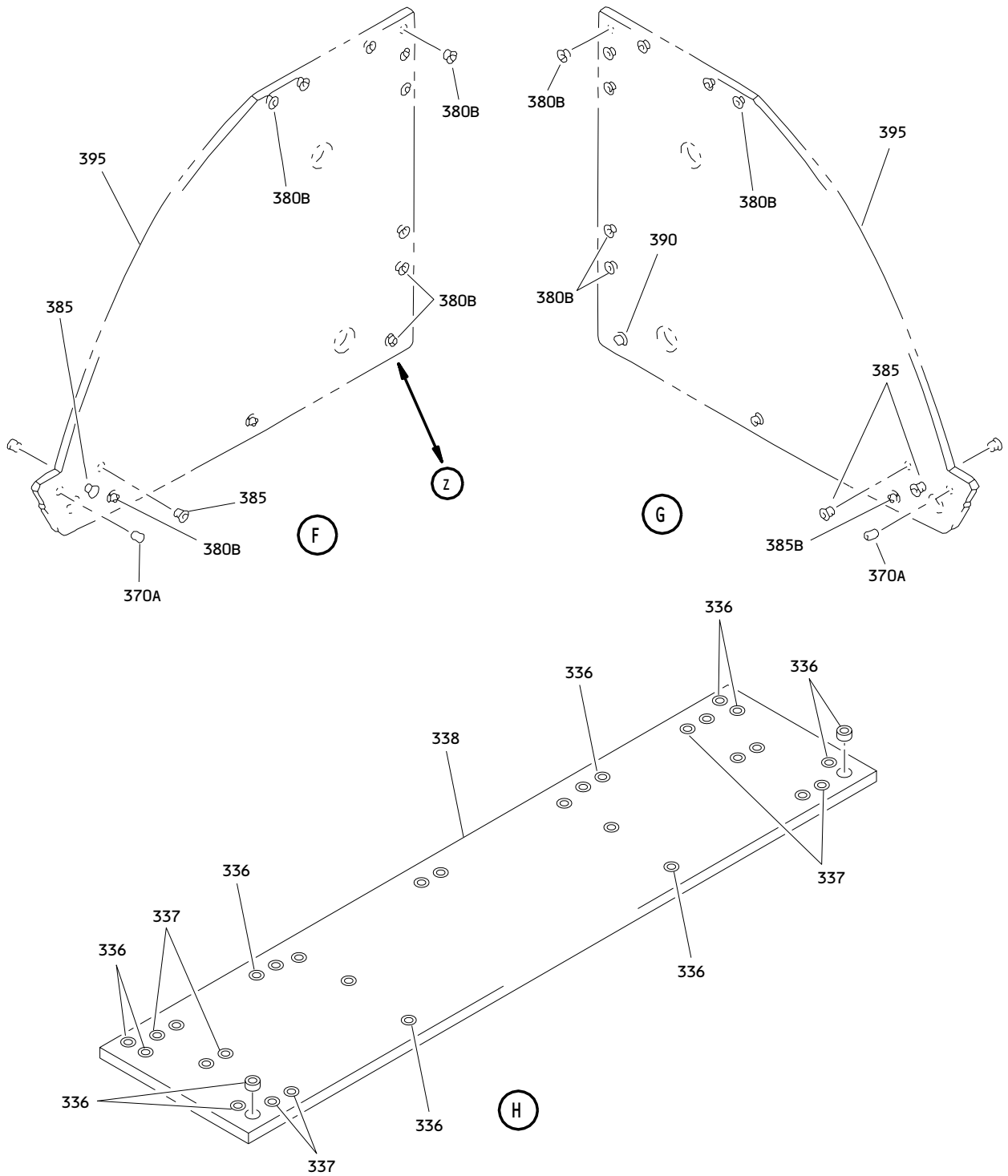
ILLUSTRATED PARTS LIST
01.1 Page 1090Y
Mar 01/98



Center Overhead Stowage Bin Assembly
Figure 8 (Sheet 4)

25-28-42

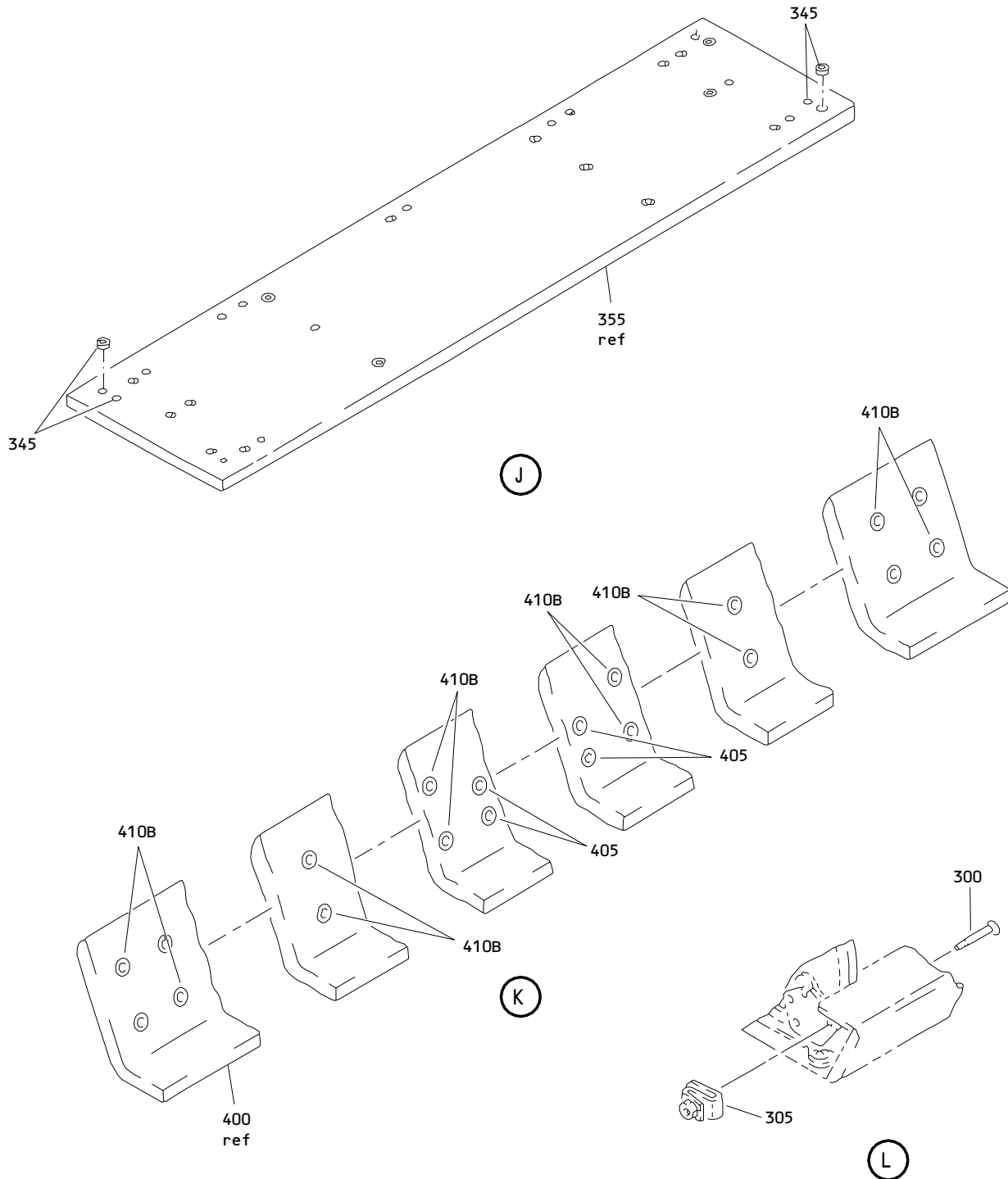
ILLUSTRATED PARTS LIST
01.1 Page 1090Z
Mar 01/98



Center Overhead Stowage Bin Assembly
Figure 8 (Sheet 5)

25-28-42

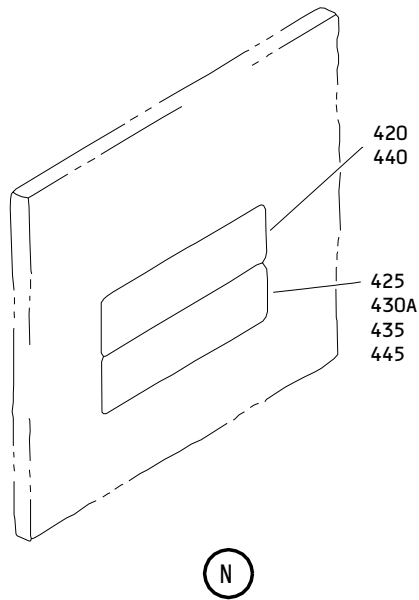
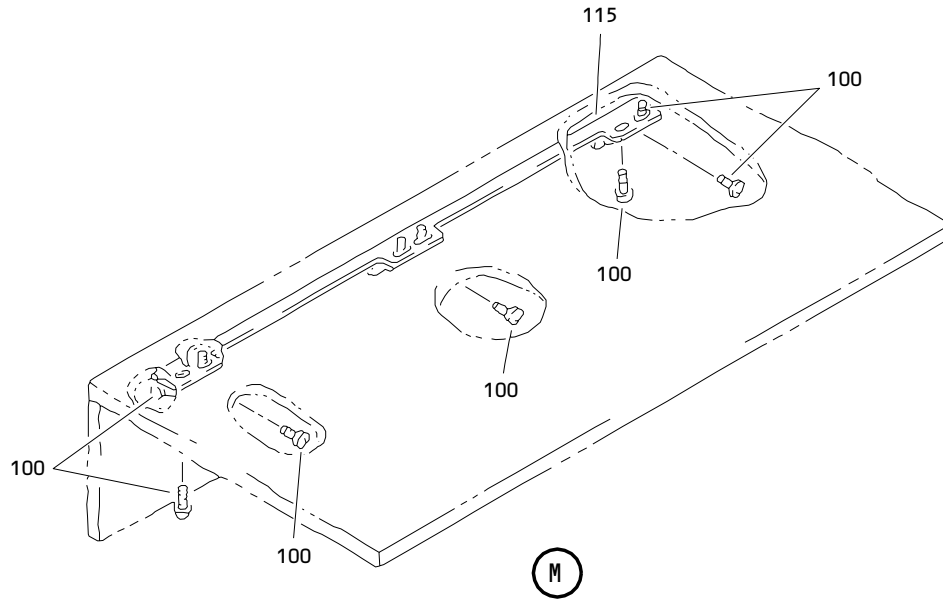
ILLUSTRATED PARTS LIST
01.1 Page 1091
Mar 01/98



Center Overhead Stowage Bin Assembly
 Figure 8 (Sheet 6)

25-28-42

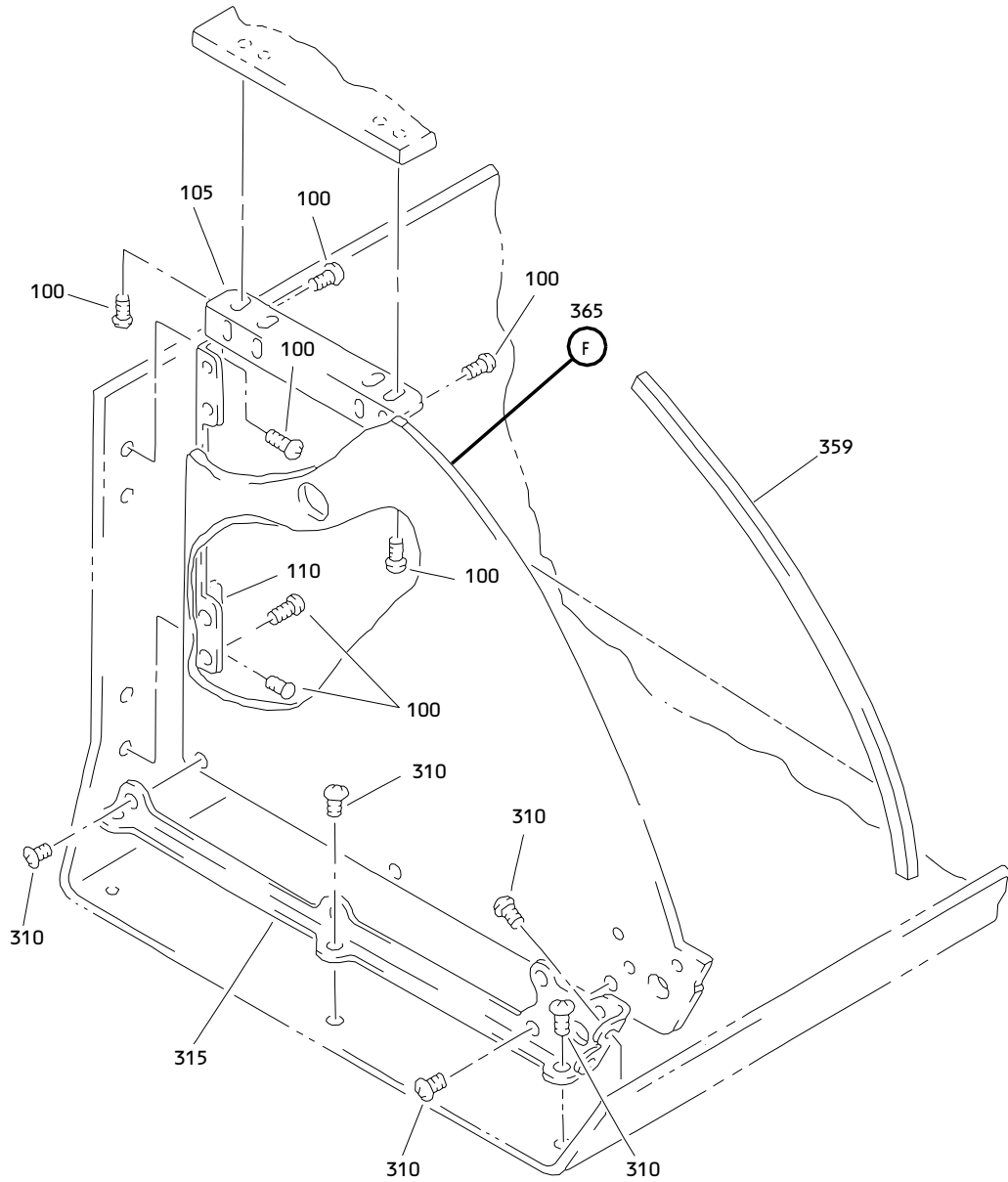
ILLUSTRATED PARTS LIST
 01.1 Page 1092
 Mar 01/98



Center Overhead Stowage Bin Assembly
Figure 8 (Sheet 7)

25-28-42

ILLUSTRATED PARTS LIST
01.1 Page 1092A
Mar 01/98

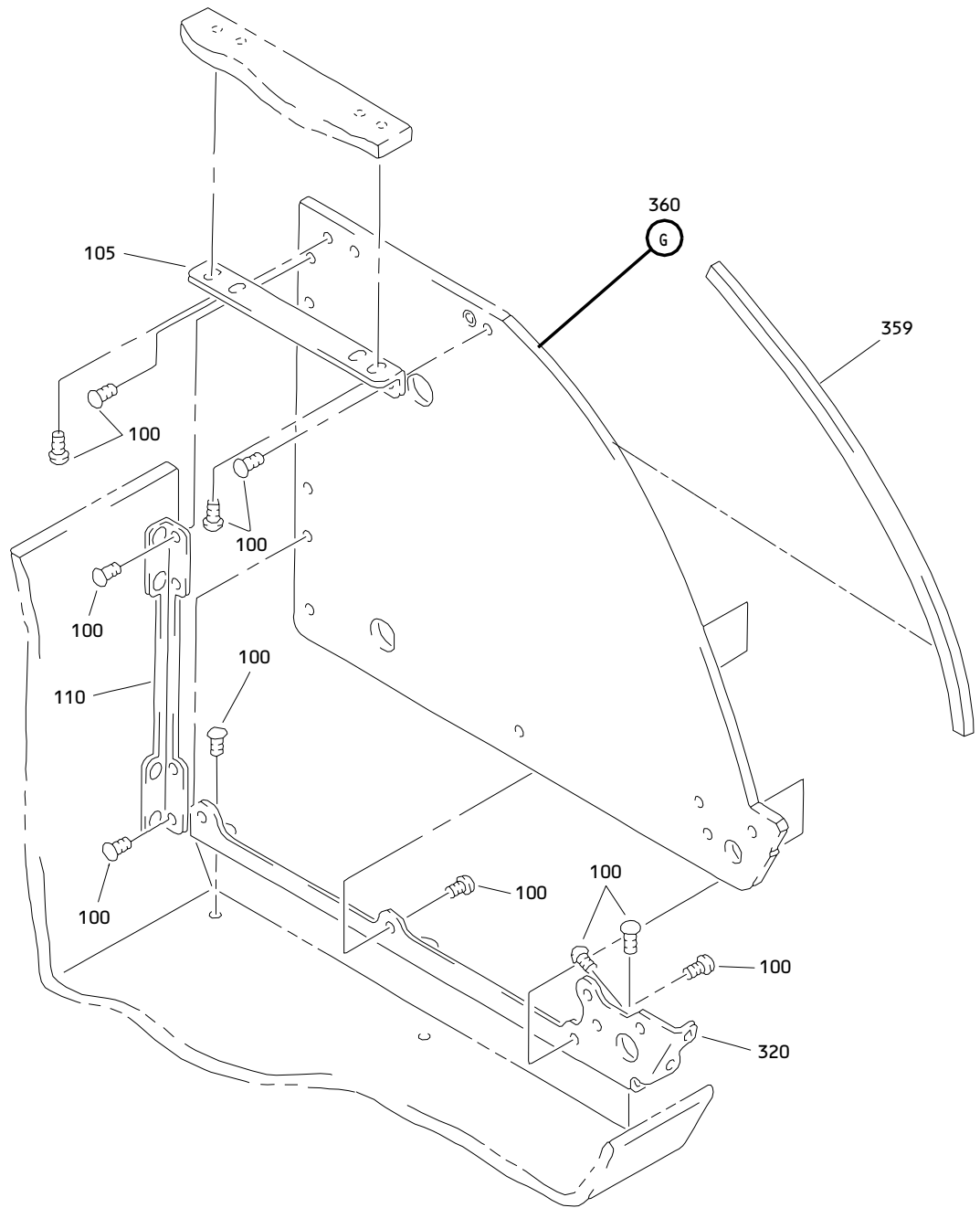


(P)

Center Overhead Stowage Bin Assembly
Figure 8 (Sheet 8)

25-28-42

ILLUSTRATED PARTS LIST
01.1 Page 1092B
Mar 01/98

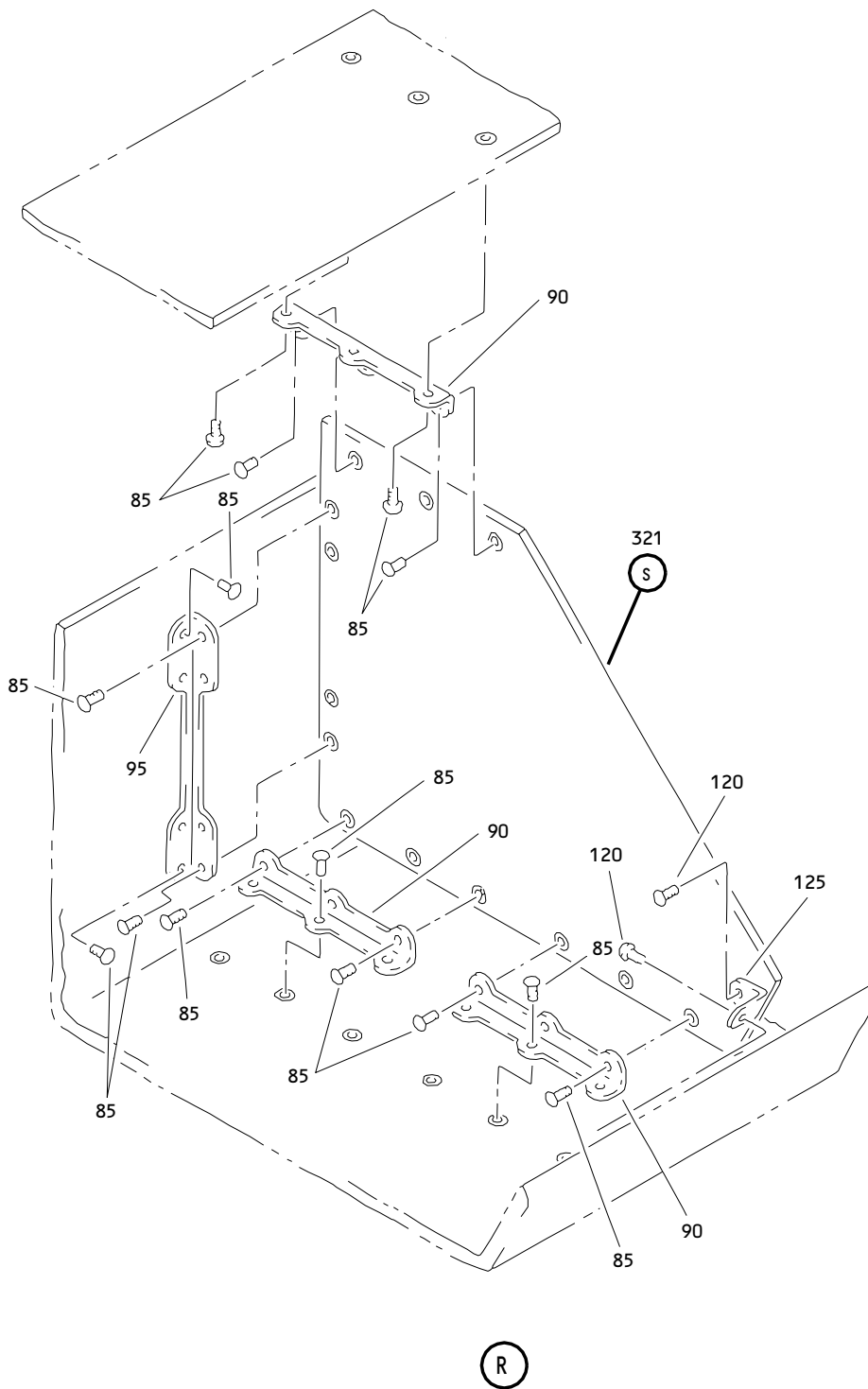


Q

Center Overhead Stowage Bin Assembly
Figure 8 (Sheet 9)

25-28-42

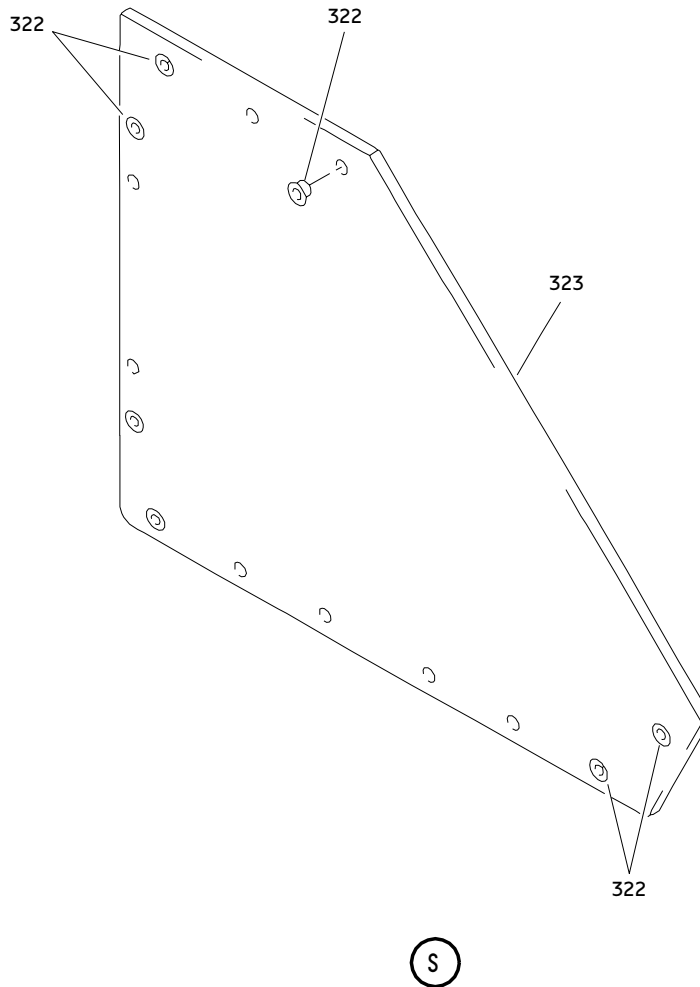
ILLUSTRATED PARTS LIST
01.1 Page 1092C
Mar 01/98



Center Overhead Stowage Bin Assembly
Figure 8 (Sheet 10)

25-28-42

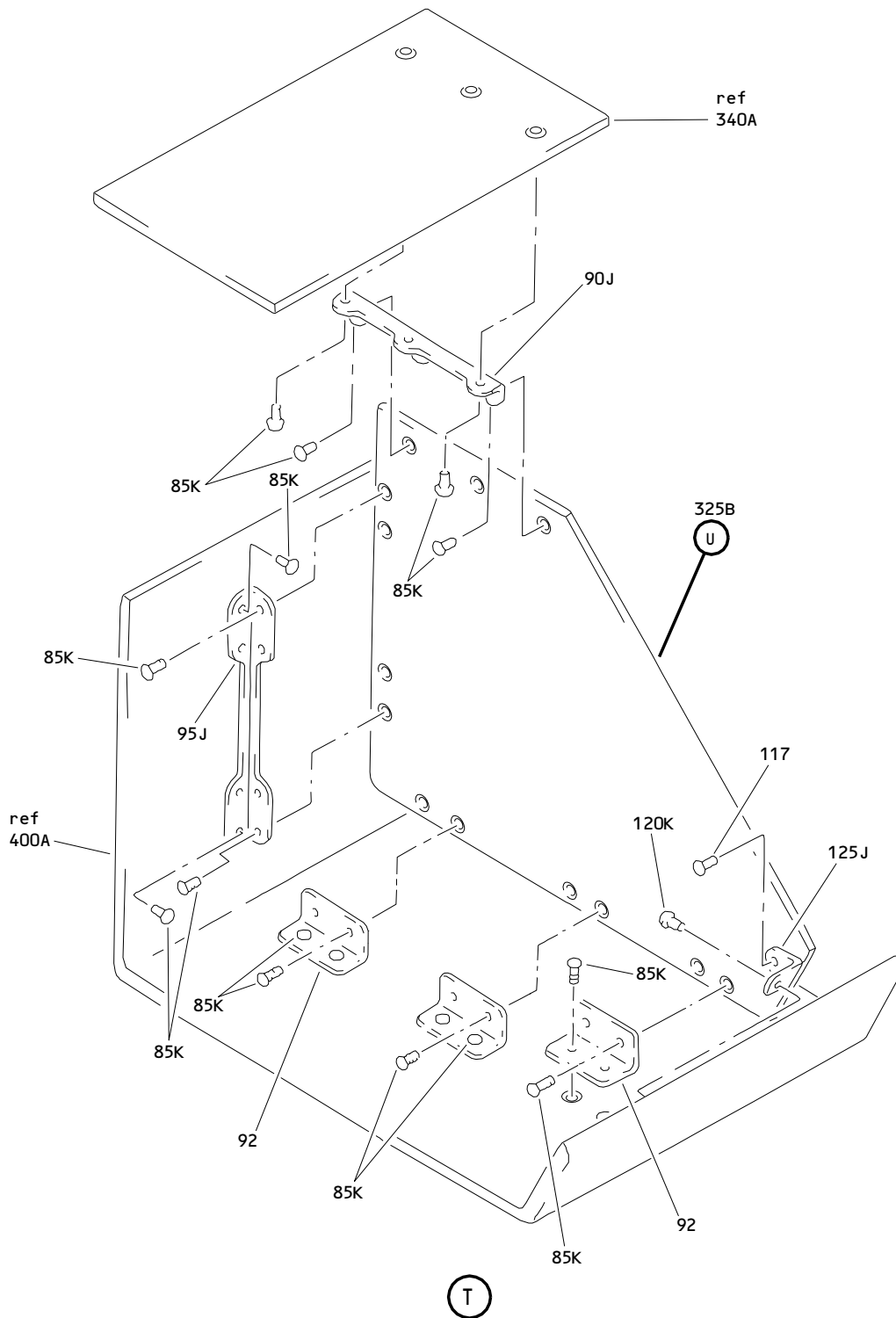
ILLUSTRATED PARTS LIST
01.1 Page 1092D
Mar 01/98



Center Overhead Stowage Bin Assembly
Figure 8 (Sheet 11)

25-28-42

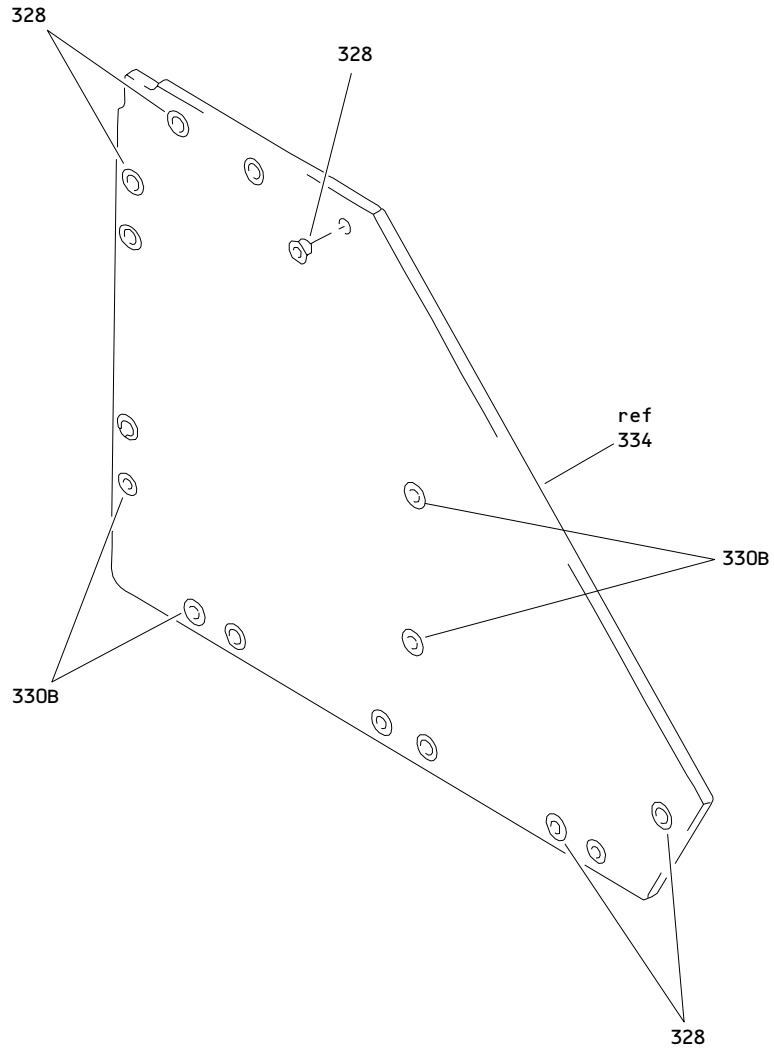
ILLUSTRATED PARTS LIST
01.1 Page 1092E
Mar 01/98



Center Overhead Stowage Bin Assembly
Figure 8 (Sheet 12)

25-28-42

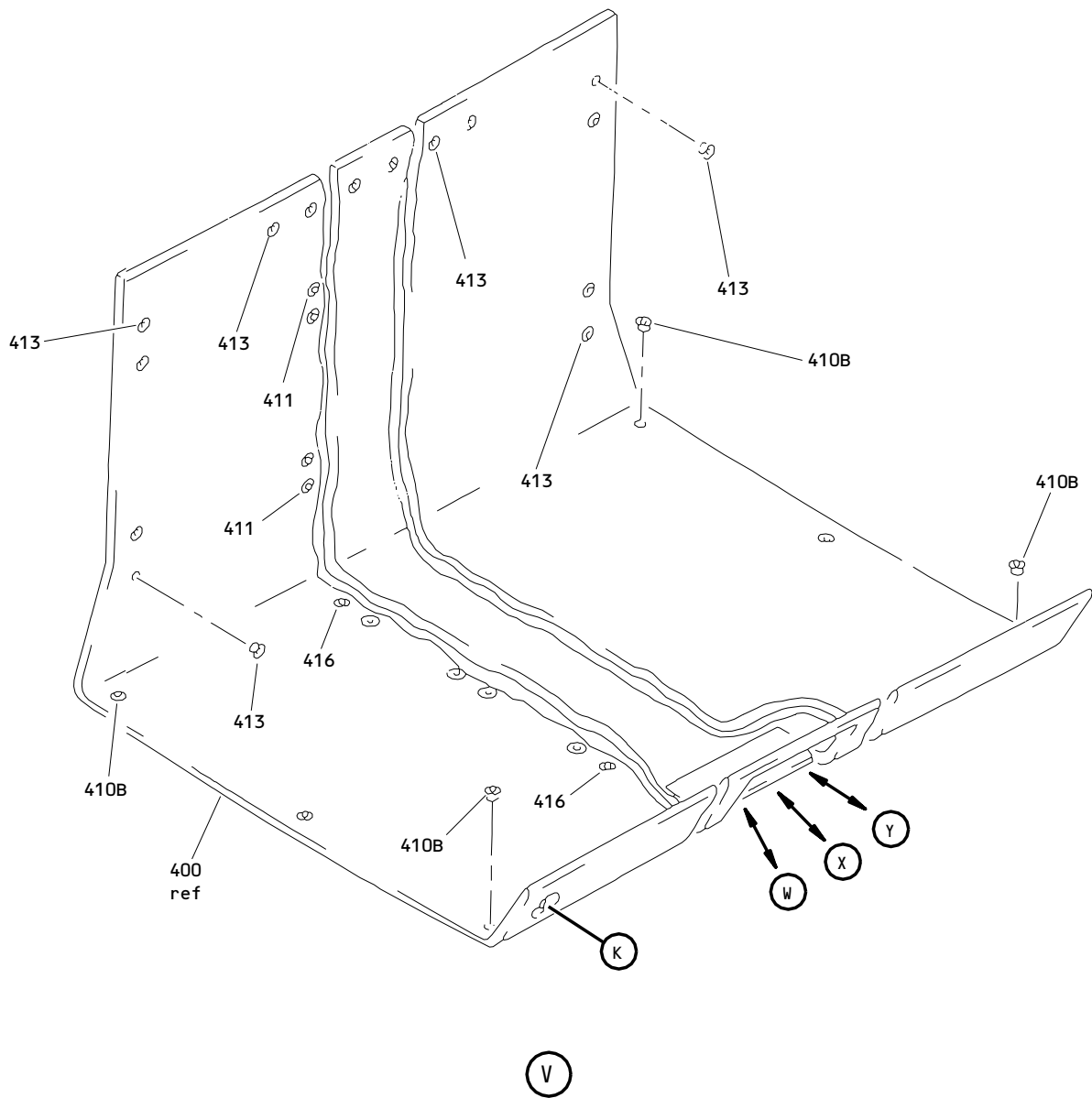
ILLUSTRATED PARTS LIST
01.1 Page 1092F
Mar 01/98



Center Overhead Stowage Bin Assembly
Figure 8 (Sheet 13)

25-28-42

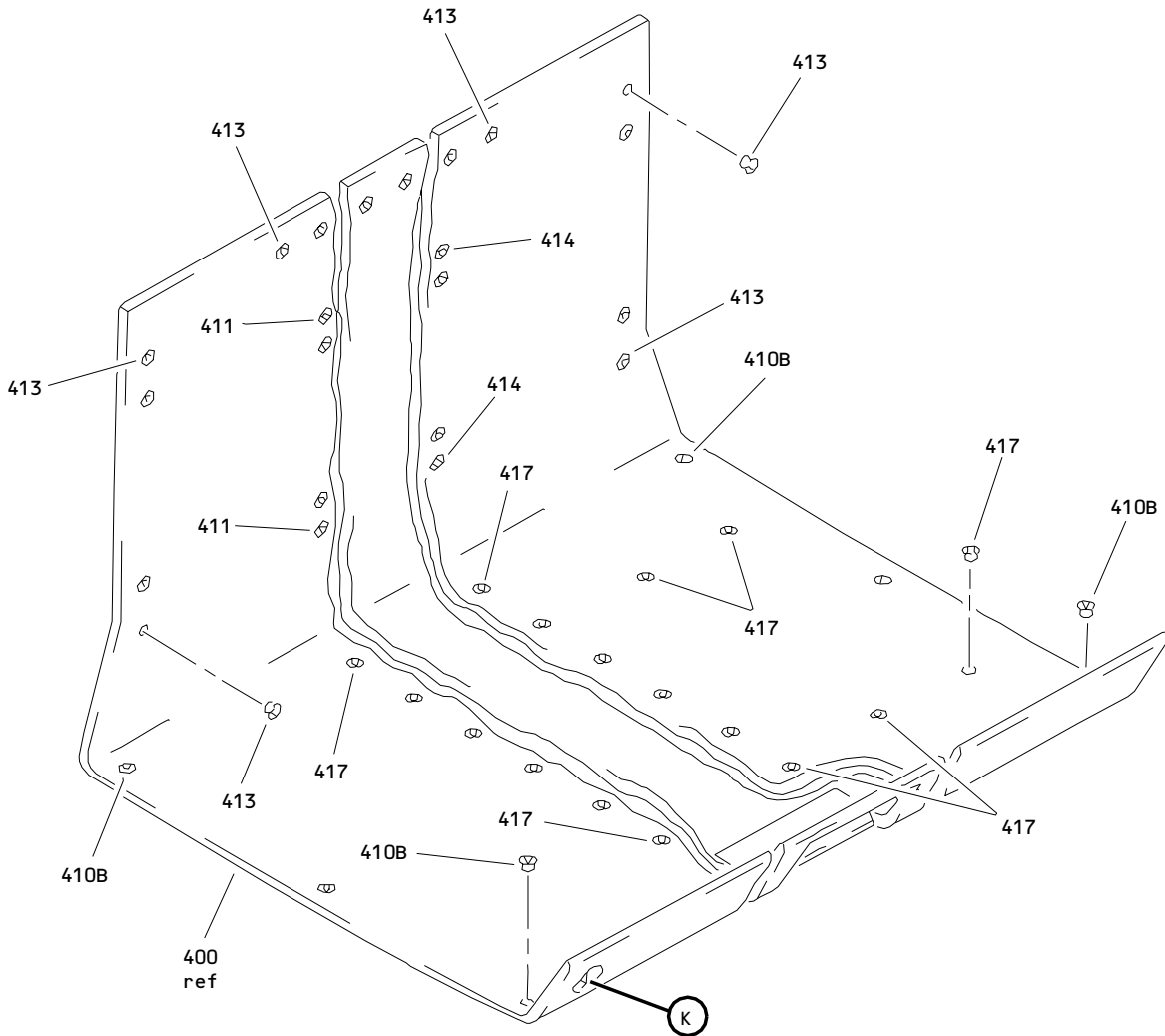
ILLUSTRATED PARTS LIST
01.1 Page 1092G
Mar 01/98



Center Overhead Stowage Bin Assembly
 Figure 8 (Sheet 14)

25-28-42

ILLUSTRATED PARTS LIST
 01.1 Page 1092H
 Mar 01/98

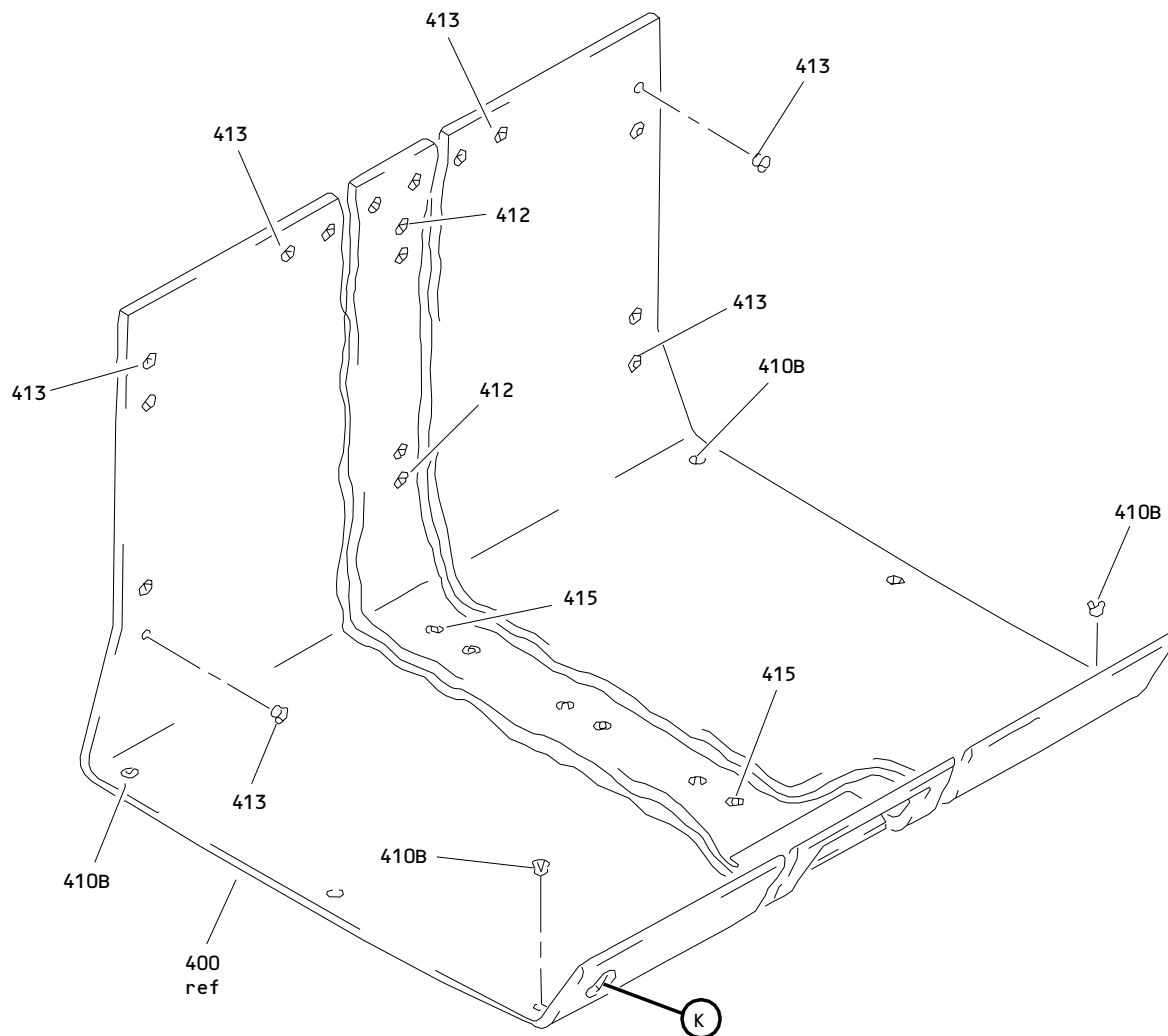


(W)

Center Overhead Stowage Bin Assembly
Figure 8 (Sheet 15)

25-28-42

ILLUSTRATED PARTS LIST
01.1 Page 1092I
Mar 01/98

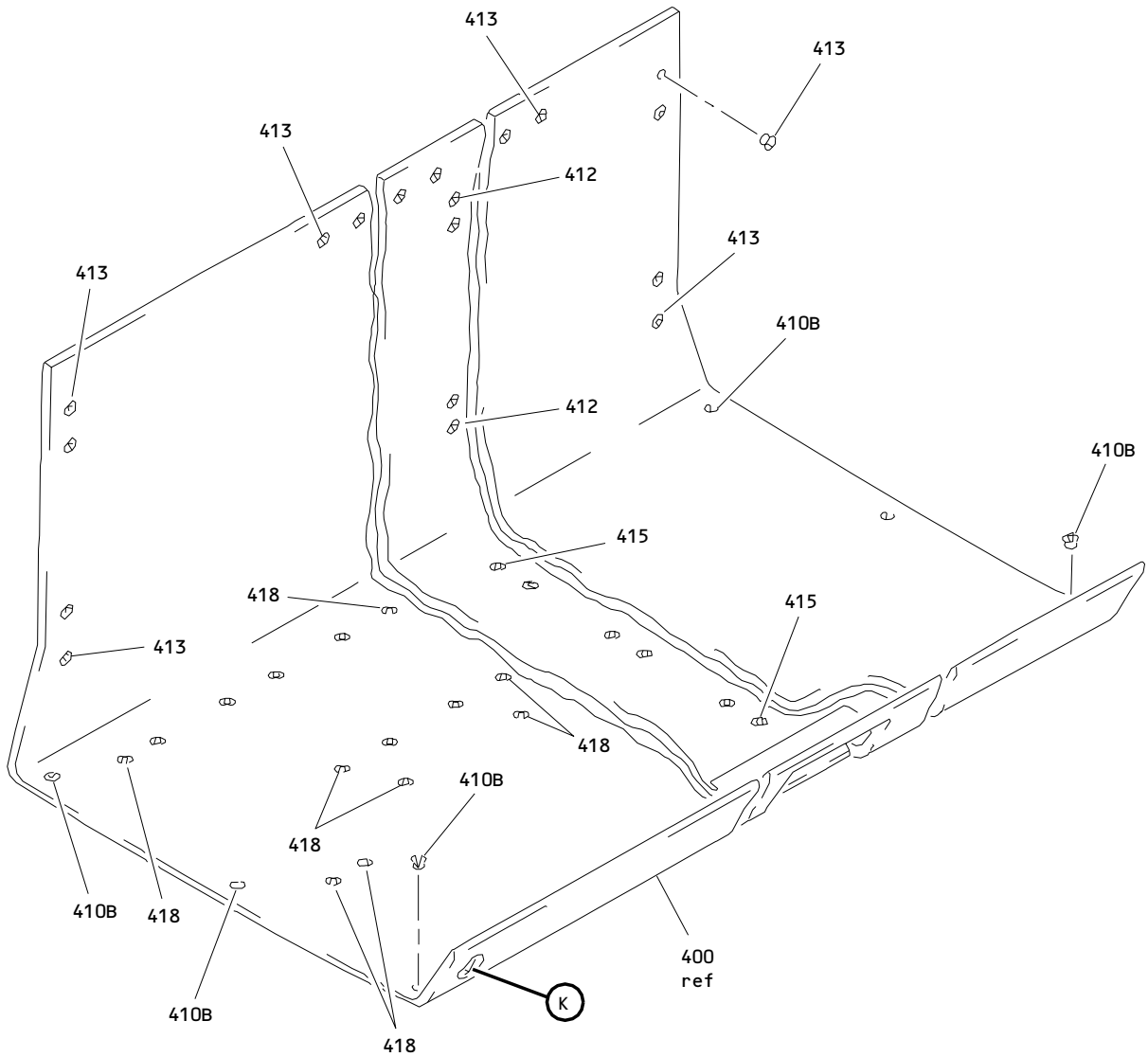


(X)

Center Overhead Stowage Bin Assembly
Figure 8 (Sheet 16)

25-28-42

ILLUSTRATED PARTS LIST
01.1 Page 1092J
Mar 01/98

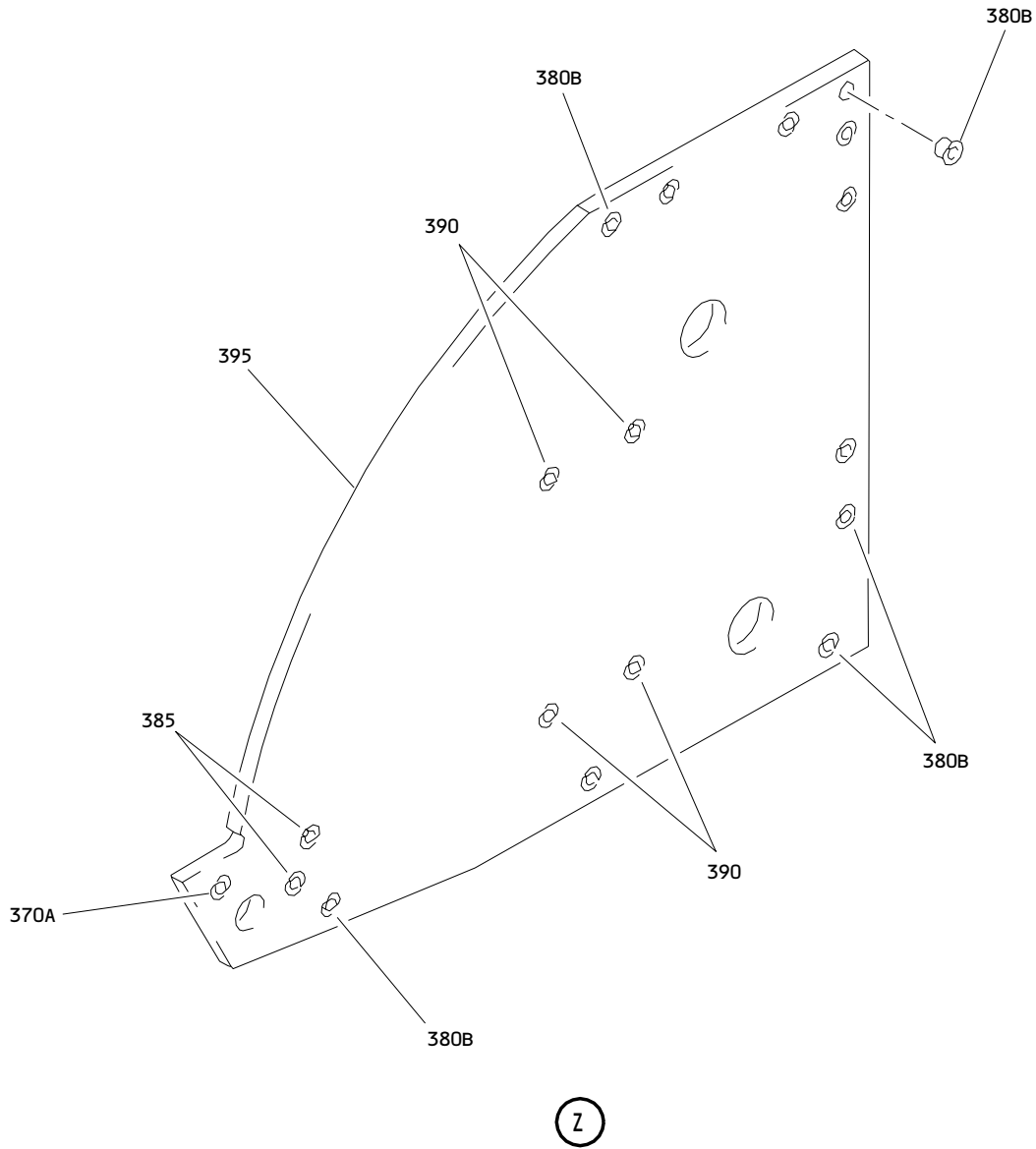


Y

Center Overhead Stowage Bin Assembly
Figure 8 (Sheet 17)

25-28-42

ILLUSTRATED PARTS LIST
01.1 Page 1092K
Mar 01/98



Center Overhead Stowage Bin Assembly
Figure 8 (Sheet 18)

25-28-42

ILLUSTRATED PARTS LIST
01.1 Page 1092L
Mar 01/98


BOEING
 COMPONENT
 MAINTENANCE MANUAL

FIG. & ITEM	PART NO.	AIRLINE PART NUMBER	NOMENCLATURE 1234567	EFF CODE	QTY PER ASSY
08- -1	413T1047-141SP		BIN ASSY-CTR OVERHEAD STOWAGE	CW	RF
-1A	413T1047-159SP		BIN ASSY-CTR OVERHEAD STOWAGE	DP	RF
-1B	413T1047-167SP		BIN ASSY-CTR OVERHEAD STOWAGE	DX	RF
-1C	413T1047-168SP		BIN ASSY-CTR OVERHEAD STOWAGE	DY	RF
-1D	413T1047-169SP		BIN ASSY-CTR OVERHEAD STOWAGE	DZ	RF
-1E	413T1047-170SP		BIN ASSY-CTR OVERHEAD STOWAGE	EA	RF
-1F	413T1047-173SP		BIN ASSY-CTR OVERHEAD STOWAGE, 44 IN. WITH EMER EQPT PROVISIONS	CA	RF
-1G	413T1047-174SP		BIN ASSY-CTR OVERHEAD STOWAGE, 44 IN. WITH EMER EQPT PROVISIONS	DH	RF
R -1H	413T1047-176SP		BIN ASSY-CTR OVERHEAD STOWAGE, 44 IN. WITH EMER EQPT PROVISIONS	DG	RF
R -1J	413T1047-177SP		BIN ASSY-CTR OVERHEAD STOWAGE, 44 IN. WITH EMER EQPT PROVISIONS	ED	RF
5	413T1042-24		.RESTRAINT ASSY	CA,CW ,DG,D H,DP, DX-EA ,ED	1
5J	413T1042-24		.RESTRAINT ASSY	CA,DG ,DH,D P,D X-EA, ED	1
ATTACHING PARTS					

25-28-42

 ILLUSTRATED PARTS LIST
 01.1 Page 1092M
 Mar 01/98

FIG. & ITEM	PART NO.	AIRLINE PART NUMBER	NOMENCLATURE 1234567	EFF CODE	QTY PER ASSY
08-10	BACS12FA3K3		.SCREW	CA,CW ,DG,D H,DP, DX-EA ,ED	6
10J	BACS12FA3K3		.SCREW	CA,CW ,DG,D H,DP, DX-EA ,ED	6
15	413T1042-41		-----*----- ..RUBBER	CA,CW ,DG,D H,DP, DX-EA ,ED	1
15J	413T1042-41		..RUBBER	CA,DG ,DH,D P,D X-EA, ED	1
20	413T1042-25		..TEE	CA,CW ,DG,D H,DP, DX-EA ,ED	1
20J	413T1042-25		..TEE	CA,DG ,DH,D P,D X-EA, ED	1
25	413T1036-41		.BOSS ASSY	CA,CW ,DG,D H,DP, DX-EA ,ED	2

25-28-42

 ILLUSTRATED PARTS LIST
 01.1 Page 1092N
 Mar 01/98


BOEING
 COMPONENT
 MAINTENANCE MANUAL

FIG. & ITEM	PART NO.	AIRLINE PART NUMBER	NOMENCLATURE 1234567	EFF CODE	QTY PER ASSY
08-30	CA18271-9		..PIN- (V26390)	CA,CW ,DG,D H,DP, DX-EA ,ED	1
35	CA1825		..WASHER-RETAINING (V26390)	CA,CW ,DG,D H,DP, DX-EA ,ED	1
40	413T1060-6		..WASHER	CA,CW ,DG,D H,DP, DX-EA ,ED	1
45	413T1060-7		..WASHER	CA,CW ,DG,D H,DP, DX-EA ,ED	1
50	413T1060-5		..WASHER	CA,CW ,DG,D H,DP, DX-EA ,ED	1
55	Y47		..BEARING-NEEDLE (V60380) (OPT ITEM 55A)	CA,CW ,DG,D H,DP, DX-EA ,ED	2
-55A	B47		..BEARING-NEEDLE (V60380) (OPT ITEM 55)	CA,CW ,DG,D H,DP, DX-EA ,ED	2
60	413T1036-43		..BOSS-UPR PIVOT (MALE)	CA,CW ,DG,D H,DP, DX-EA ,ED	1
65	413T1036-42		.BOSS ASSY	CA,CW ,DG,D H,DP, DX-EA ,ED	2

25-28-42

ILLUSTRATED PARTS LIST

01.1 Page 10920

Mar 01/98

FIG. & ITEM	PART NO.	AIRLINE PART NUMBER	NOMENCLATURE 1234567	EFF CODE	QTY PER ASSY
08-70	501-0404-008		. . BUSHING- (V77896)	CA, CW , DG, D H, DP, DX-EA , ED	2
75	413T1036-44		. . BOSS-LWR PIVOT (MALE)	CA, CW , DG, D H, DP, DX-EA , ED	1
80	413T1036-12		. BOSS-PIVOT (FEMALE)	CA, CW , DG, D H, DP, DX-EA , ED	4
85	BACS12FA3K3		. SCREW	CW	52
85J	BACS12FA3K3		DELETED		
R 85K	BACS12FA3K4		. SCREW	CA, DG , DH, D P, D X-EA, ED	26
90	413T1042-270		. ANGLE	CW	6
90J	413T1042-270		. ANGLE	CA, DG , DH, D P, D X-EA, ED	1
92	413T1042-271		. ANGLE	CA, DG , DH, D P, D X-EA, ED	3

25-28-42

 ILLUSTRATED PARTS LIST
 01.1 Page 1092P
 Mar 01/98


BOEING
 COMPONENT
 MAINTENANCE MANUAL

FIG. & ITEM	PART NO.	AIRLINE PART NUMBER	NOMENCLATURE 1234567	EFF CODE	QTY PER ASSY
08-95	413T2072-5		.BRACKET-END	CW	2
95J	413T2072-5		.BRACKET-END	CA,DG ,DH,D P,D X-EA, ED	1
100	BACS12FA3K4		.SCREW	CA,CW ,DG,D H,DP, DX-EA ,ED	44
105	413T2072-6		.BRACKET-SIDE	CA,CW ,DG,D H,DP, DX-EA ,ED	2
110	413T2072-5		.BRACKET-END	CA,CW ,DG,D H,DP, DX-EA ,ED	2
115	413T2072-4		.BRACKET	CA,CW ,DG,D H,DP, DX-EA ,ED	1
117	BACS12FA3K4		.SCREW	CA,DG ,DH,D P,D X-EA, ED	1

25-28-42

 ILLUSTRATED PARTS LIST
 01.1 Page 1092Q
 Mar 01/98

FIG. & ITEM	PART NO.	AIRLINE PART NUMBER	NOMENCLATURE 1234567	EFF CODE	QTY PER ASSY
08-120	BACR15DA4		.RIVET- (SIZE DETERMINE ON INST)	CW	4
120J	BACR15DA4		DELETED		
120K	NAS1398D4		.RIVET- (SIZE DETERMINE ON INST)	DP	1
-120L	NAS1399D4		.RIVET- (SIZE DETERMINE ON INST)	CA,DG ,DH,D X-EA, ED	1
125	413T1039-26		.CLIP	CW	1
125J	413T1039-26		.CLIP	CA,CW ,DG,D H,DP, DX-EA ,ED	1
130	NAS514P1032-6		.SCREW	CA,CW ,DG,D H,DP, DX-EA ,ED	18
135	413T1042-269		.THRESHOLD	CA,CW ,DG,D H,DP, DX-EA ,ED	1
140	413T1128-8		.SUPPORT ASSY- (OPT ITEM 140A)	CW	2
-140A	413T1128-26		.SUPPORT ASSY- (OPT ITEM 140)	CW	2
-140B	413T1128-26		.SUPPORT ASSY	CA,DG ,DH,D P,D X-EA, ED	2

25-28-42


BOEING
 COMPONENT
 MAINTENANCE MANUAL

FIG. & ITEM	PART NO.	AIRLINE PART NUMBER	NOMENCLATURE 1234567	EFF CODE	QTY PER ASSY
08-145	413T1128-13		.SUPPORT ASSY- (OPT ITEM 145A)	CW	1
-145A	413T1128-25		.SUPPORT ASSY- (OPT ITEM 145)	CW	1
-145B	413T1128-25		.SUPPORT ASSY	CA,DG ,DH,D P,D X-EA, ED	1
150	BACS12FA3K4		ATTACHING PARTS .SCREW	CA,CW ,DG,D H,DP, DX-EA ,ED	4
155	BACS12FA3K4		.SCREW	CA,CW ,DG,D H,DP, DX-EA ,ED	2
160	BACS12FA3K5		DELETED		
165	AN960PD10L		DELETED		
170	H10-3BAC		DELETED		
175	BACR15BA3D		DELETED		
180	BACR15BA3D		DELETED		
185	A4972-6-02		.NUT- (V72962) (SPEC BACN10FX16) (OPT RM52LHA4972-6-02 (V72962)) (OPT 130069 (V60119)) (OPT A11330-6-3 (V72962)) (OPT ITEM 185A) (USED ON ITEM 140)	CW	3

25-28-42

 ILLUSTRATED PARTS LIST
 01.1 Page 1092S
 Mar 01/98

FIG. & ITEM	PART NO.	AIRLINE PART NUMBER	NOMENCLATURE 1234567	EFF CODE	QTY PER ASSY
08- -185A	SL2113-1		..NUT- (97393) (OPT ITEM 185) (USED ON ITEM 140)	CW	3
-185B	A4972-6-02		..NUT- (V72962) (SPEC BACN10FX16) (OPT RM52LHA4972-6-02 (V72962)) (OPT 130069 (V60119)) (OPT A11330-6-3 (V72962)) (USED ON ITEM 140A, 140B)	CA,CW ,DG,D ,H,DP, DX-EA ,ED	3
190	A4972-6-02		..NUT- (V72962) (SPEC BACN10FX16) (OPT RM52LHA4972-6-02 (V72962)) (OPT 130069 (V60119)) (OPT A11330-6-3 (V72962)) (OPT ITEM 190A) (USED ON ITEM 145)	CW	3
-190A	SL2113-1		..NUT- (V97393) (OPT ITEM 190) (USED ON ITEM 145)	CW	3
-190B	A4972-6-02		..NUT- (V72962) (SPEC BACN10FX16) (OPT RM52LHA4972-6-02 (V72962)) (OPT 130069 (V60119)) (OPT A11330-6-3 (V72962)) (USED ON ITEM 145A, 145B)	CA,CW ,DG,D ,H,DP, DX-EA ,ED	3

25-28-42

 ILLUSTRATED PARTS LIST
 01.1 Page 1092T
 Mar 01/98


BOEING
 COMPONENT
 MAINTENANCE MANUAL

FIG. & ITEM	PART NO.	AIRLINE PART NUMBER	NOMENCLATURE 1234567	EFF CODE	QTY PER ASSY
08-195	413T1128-10		..SUPPORT- (USED ON ITEM 140)	CW	1
-195A	413T1128-24		..SUPPORT- (USED ON ITEM 140A, 140B)	CA,CW ,DG,D H,DP, DX-EA ,ED	1
200	413T1128-15		..SUPPORT- (USED ON ITEM 145)	CW	1
-200A	413T1128-23		..SUPPORT- (USED ON ITEM 145A, 145B)	CA,CW ,DG,D H,DP, DX-EA ,ED	1
205	413T1128-7		.SUPPORT ASSY- (OPT ITEM 205A)	CW	2
-205A	413T1128-25		.SUPPORT ASSY- (OPT ITEM 205)	CW	2
-205B	413T1128-25		.SUPPORT ASSY	CA,DG ,DH,D P,D X-EA, ED	2
210	413T1128-14		.SUPPORT ASSY- (OPT ITEM 210A)	CW	1
-210A	413T1128-26		.SUPPORT ASSY- (OPT ITEM 210)	CW	1
-210B	413T1128-26		.SUPPORT ASSY	CA,DG ,DH,D P,D X-EA, ED	1

25-28-42

 ILLUSTRATED PARTS LIST
 01.1 Page 1092U
 Mar 01/98

FIG. & ITEM	PART NO.	AIRLINE PART NUMBER	NOMENCLATURE 1234567	EFF CODE	QTY PER ASSY
08-215	BACS12FA3K4		.SCREW	CA,CW ,DG,D H,DP, DX-EA ,ED	4
220	BACS12FA3K4		.SCREW	CA,CW ,DG,D H,DP, DX-EA ,ED	2
225	BACS12FA3K5		DELETED		
230	AN960PD10L		DELETED		
235	H10-3BAC		DELETED		
240	BACR15BA3D		DELETED		
245	BACR15BA3D		DELETED		
250	A4972-6-02		..NUT- (V72962) (SPEC BACN10FX16) (OPT RM52LHA4972-6-02 (V72962)) (OPT 130069 (V60119)) (OPT A11330-6-3 (V72962)) (OPT ITEM 250A) (USED ON ITEM 205)	CW	3
-250A	SL2113-1		..NUT- (OPT ITEM 250) (USED ON ITEM 205)	CW	3

25-28-42

 ILLUSTRATED PARTS LIST
 01.1 Page 1092V
 Mar 01/98


BOEING
 COMPONENT
 MAINTENANCE MANUAL

FIG. & ITEM	PART NO.	AIRLINE PART NUMBER	NOMENCLATURE 1234567	EFF CODE	QTY PER ASSY
08- -250B	A4972-6-02		..NUT- (V72962) (SPEC BACN10FX16) (OPT RM52LHA4972-6-02 (V72962)) (OPT 130069 (V60119)) (OPT A11330-6-3 (V72962)) (USED ON ITEM 205A, 205B)	CA,CW ,DG,D H,DP, DX-EA ,ED	3
255	A4972-6-02		..NUT- (V72962) (SPEC BACN10FX16) (OPT RM52LHA4972-6-02 (V72962)) (OPT 130069 (V60119)) (OPT A11330-6-3 (V72962)) (OPT ITEM 255A) (USED ON ITEM 210)	CW	3
-255A	SL2113-1		..NUT- (V97393) (OPT ITEM 255) (USED ON ITEM 210)	CW	3
-255B	A4972-6-02		..NUT- (V72962) (SPEC BACN10FX16) (OPT RM52LHA4972-6-02 (V72962)) (OPT 130069 (V60119)) (OPT A11330-6-3 (V72962)) (USED ON ITEM 210A, 210B)	CA,CW ,DG,D H,DP, DX-EA ,ED	3

25-28-42

 ILLUSTRATED PARTS LIST
 01.1 Page 1092W
 Mar 01/98

FIG. & ITEM	PART NO.	AIRLINE PART NUMBER	NOMENCLATURE 1234567	EFF CODE	QTY PER ASSY
08-260	413T1128-9		..SUPPORT- (USED ON ITEM 205)	CW	1
-260A	413T1128-23		..SUPPORT- (USED ON ITEM 205A, 205B)	CA,CW ,DG,D ,H,DP, DX-EA ,ED	1
265	413T1128-16		..SUPPORT- (USED ON ITEM 210)	CW	1
-265A	413T1128-24		..SUPPORT- (USED ON ITEM 210A, 210B)	CA,CW ,DG,D ,H,DP, DX-EA ,ED	1
270	BACS12FA3K5		.SCREW	CA,CW ,DG,D ,H,DP, DX-EA ,ED	4
275	413T1042-771		DELETED		
280	413T1042-772		DELETED		
285	501230-19		.LATCH ASSY- (V27045) (SPEC S413T103-19) (OPT ITEM 285A)	CA,CW ,DH,D P,D X-EA	1
-285A	501230-6		.LATCH ASSY- (V27045) (SPEC S413T103-6) (OPT ITEM 285)	CA,CW ,DH,D P,D X-EA	1
R -285B	501230-19		.LATCH ASSY- (V27045) (SPEC S413T103-19)	DG,ED	1

25-28-42

 ILLUSTRATED PARTS LIST
 01.1 Page 1092X
 Mar 01/98


BOEING
 COMPONENT
 MAINTENANCE MANUAL

FIG. & ITEM	PART NO.	AIRLINE PART NUMBER	NOMENCLATURE 1234567	EFF CODE	QTY PER ASSY
08-290	BACB30NN3K15		.BOLT	CA,CW ,DG,D H,DP, DX-EA ,ED	4
292	BACW10UC102P		.WASHER	CA,CW ,DG,D H,DP, DX-EA ,ED	4
295 295A	BACN10J3C H10-3BAC		DELETED .NUT- (V15653) (SPEC BACN10JC3) (OPT NS202101-02 (V80539)) (OPT RMLH9075-3W (V72962)) (OPT T6S1032J (V71087)) (OPT VN303A02 (V92215)) (OPT 96-02 (V80539)) (OPT BRH10A3 (V52828))	CA,CW ,DG,D H,DP, DX-EA ,ED	4
300	BACB30NN3K18		.BOLT	CA,CW ,DG,D H,DP, DX-EA ,ED	2

25-28-42

 ILLUSTRATED PARTS LIST
 01.1 Page 1092Y
 Mar 01/98

FIG. & ITEM	PART NO.	AIRLINE PART NUMBER	NOMENCLATURE 1234567	EFF CODE	QTY PER ASSY
08-305	A4972-6-02		.NUT- (V72962) (SPEC BACN10FX16) (OPT RM52LHA4972-6-02 (V72962)) (OPT 130069 (V60119)) (OPT A11330-6-3 (V72962)) -----*-----	CA,CW ,DG,D ,H,DP, ,DX-EA ,ED	2
310	BACS12FA3K3		.SCREW	CA,CW ,DG,D ,H,DP, ,DX-EA ,ED	16
315	413T1039-27		.ANGLE-ATTACH	CA,CW ,DG,D ,H,DP, ,DX-EA ,ED	1
320	413T1039-28		.ANGLE-ATTACH	CA,CW ,DG,D ,H,DP, ,DX-EA ,ED	1
321	413T1048-98		.PANEL ASSY-DIVIDER	CW	2
322	S6224-3A		..INSERT- (V97939)	CW	17
323	413T1048-96		..PANEL ASSY	CW	1
325	413T1049-98		DELETED		

25-28-42

 ILLUSTRATED PARTS LIST
 01.1 Page 1092Z
 Mar 01/98


BOEING
 COMPONENT
 MAINTENANCE MANUAL

FIG. & ITEM	PART NO.	AIRLINE PART NUMBER	NOMENCLATURE 1234567	EFF CODE	QTY PER ASSY
08-					
325A	413T1048-98		DELETED		
325B	413T1048-109		.PANEL ASSY-DIVIDER	DP,DX ,DZ	1
-325C	413T1048-120		.PANEL ASSY-DIVIDER	DY,EA	1
-325D	413T1048-125		.PANEL ASSY-DIVIDER	CA	1
-325E	413T1048-126		.PANEL ASSY-DIVIDER	DH	1
R -325F	413T1048-127		.PANEL ASSY-DIVIDER	DG	1
R -325G	413T1048-128		.PANEL ASSY-DIVIDER	ED	1
325J	413T1048-109		DELETED		
-325K	413T1048-120		DELETED		
328	SL618-3A		..INSERT- (V97393)	CA,DG ,DH,D P,D X-EA, ED	14
330	413T1049-96		DELETED		
330A	413T1048-96		DELETED		
R 330B	SL618-3A		..INSERT- (V97393)	DG,ED	4
330J	413T1048-111		DELETED		
331	SL618-3A		..INSERT- (V97393)	CA,DH	1
334	413T1048-111		..PANEL ASSY	CA,DG ,DH,D P,D X-EA, ED	1
335	SL618-3A		DELETED		
335A	SL6224-3A		DELETED		
335B	413T1048-95		.PANEL ASSY-TOP	CW	1
336	NAS1836A3-08		..INSERT	CW	20
337	SL618-3A		..INSERT- (V97393)	CW	12

25-28-42

 ILLUSTRATED PARTS LIST
 01.1 Page 1093
 Mar 01/98

FIG. & ITEM	PART NO.	AIRLINE PART NUMBER	NOMENCLATURE 1234567	EFF CODE	QTY PER ASSY
08-					
338	413T1048-80		..PANEL	CW	1
340	413T1048-95		DELETED		
340A	413T1048-110		.PANEL ASSY-TOP	DP	1
-340B	413T1048-117		.PANEL ASSY-TOP	DX,DZ	1
-340C	413T1048-118		.PANEL ASSY-TOP	DY,EA	1
-340D	413T1048-123		.PANEL ASSY-TOP	CA,DG	1
-340E	413T1048-124		.PANEL ASSY-TOP	DH,ED	1
345	SL618-3A		..INSERT- (V97393)	CA,DG ,DH,D P,D X-EA, ED	29
345A	SL6224-3A		DELETED		
350	NAS1836A3-08		DELETED		
350A	SL6224-3A		DELETED		
350B	SL618-3A		DELETED		
350J	SL618-3A		DELETED		
355	413T1048-80		..PANEL	CA,DG ,DH,D P,D X-EA, ED	1
R 359	413T1042-1729		.EDGING-QUADRANT	CA,DG ,DH,D P,D X-EA, ED	2
360	413T1048-57		.PANEL ASSY-END	CA,CW ,DG,D H,DP, DX-EA ,ED	1
365	413T1048-58		.PANEL ASSY-END	CA,CW ,DG,D H,D X-EA, ED	1
365A	413T1048-103		DELETED		
-365B	413T1048-104		.PANEL ASSY-END	DP	1

25-28-42

 ILLUSTRATED PARTS LIST
 01.1 Page 1094
 Mar 01/98


BOEING
 COMPONENT
 MAINTENANCE MANUAL

FIG. & ITEM	PART NO.	AIRLINE PART NUMBER	NOMENCLATURE 1234567	EFF CODE	QTY PER ASSY
08- 370 370A	413T1042-275 SL603-3-290A		DELETED ..INSERT- (V97393)	CA,CW ,DG,D H,DP, DX-EA ,ED	1
375 375J 380 380A 380B	NAS1834A3-290 NAS1834A3-290 NAS1836A3-08 SL6224-3A SL618-3A		DELETED DELETED DELETED DELETED ..INSERT- (V97393)	CA,CW ,DG,D H,DP, DX-EA ,ED	11
380J 385	SL618-3A SL604-3-290ASP4		DELETED ..INSERT- (V97393)	CA,CW ,DG,D H,DP, DX-EA ,ED	2
385J 390	SL604-3-290ASP4 SL618-3A		DELETED ..INSERT- (V97393) (USED ON ITEM 365B)	DP	4
390A 390J 395	SL6224-3A SL618-3A 413T1048-75		DELETED DELETED ..PANEL ASSY	CA,CW ,DG,D H,DP, DX-EA ,ED	1

25-28-42

 ILLUSTRATED PARTS LIST
 01.1 Page 1094A
 Mar 01/98

FIG. & ITEM	PART NO.	AIRLINE PART NUMBER	NOMENCLATURE 1234567	EFF CODE	QTY PER ASSY
08-					
400	413T1049-141SP		.BIN ASSY-LWR	CW	1
-400A	413T1049-161SP		.BIN ASSY-LWR	DP	1
-400B	413T1049-163SP		.BIN ASSY-LWR	DX,DZ	1
-400C	413T1049-164SP		.BIN ASSY-LWR	DY,EA	1
-400D	413T1049-167SP		.BIN ASSY-LWR	CA	1
-400E	413T1049-168SP		.BIN ASSY-LWR	DH	1
R -400F	413T1049-171SP		.BIN ASSY-LWR	DG	1
R -400G	413T1049-172SP		.BIN ASSY-LWR	ED	1
405	NAS1836-3-07		..INSERT	CA,CW ,DG,D H,DP, DX-EA ,ED	4
410	NAS1836A3-08		DELETED		
-410A	NAS1836-3-08		DELETED		
410B	SL6224-3A		..INSERT- (V97393)	CA,CW ,DG,D H,DP, DX-EA ,ED	22
411	SL6224-3A		..INSERT- (V97393)	CW,DP	4
412	SL6224-3A		..INSERT- (V97393)	CA,DG ,DH,D X-EA, ED	4
413	SL618-3A		..INSERT- (V97393)	CW	14
-413A	SL6224-3A		..INSERT- (V97393)	CA,DG ,DH,D P,D X-EA, ED	14

25-28-42

ILLUSTRATED PARTS LIST

01.1 Page 1094B

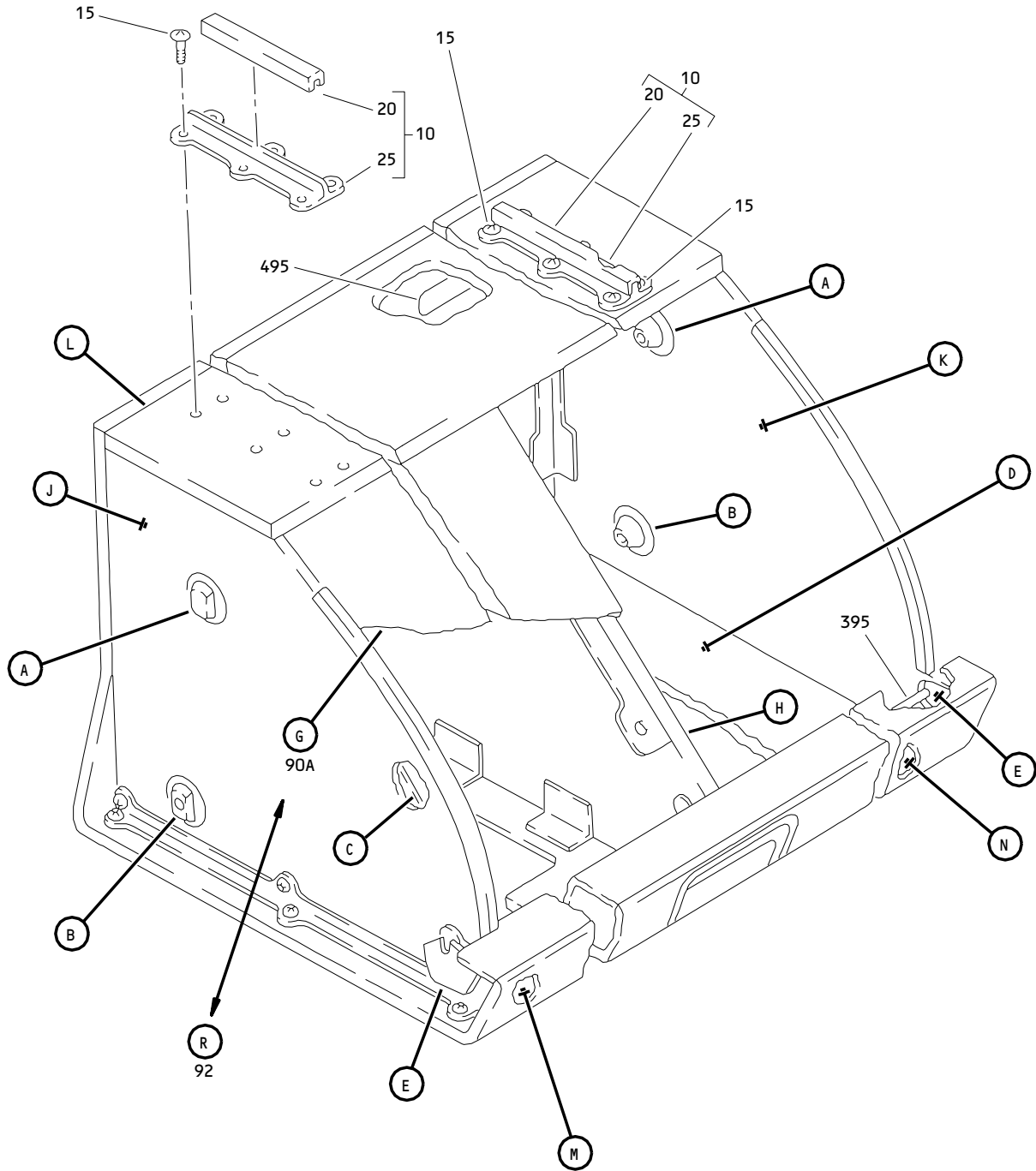
Mar 01/98


BOEING
 COMPONENT
 MAINTENANCE MANUAL

FIG. & ITEM	PART NO.	AIRLINE PART NUMBER	NOMENCLATURE 1234567	EFF CODE	QTY PER ASSY
08-414	SL6224-3A		..INSERT- (V97393)	CW	4
415	SL6224-3A		..INSERT- (V97393)	CA,DG ,DH,D X-EA, ED	6
415A	SL618-3A		DELETED		
416	SL6224-3A		..INSERT- (V97393)	DP	6
417	SL6224-3A		..INSERT- (V97393)	CW	16
418	SL6224-3A		..INSERT- (V97393)	CA,DG ,DH, ED	14
420	BAC29PPS2173		.DECAL-LATCH BIN CLOSED	CA,CW ,DG,D H,DP, DX-EA ,ED	1
425	BAC29PPS2175		.DECAL-LOAD LIMIT 80 LB/36 KG	CW	1
430	BAC29PPS2168		DELETED		
430A	BAC29PPS2768		.DECAL-LOAD LIMIT 60LB/27KG	DP	1
435	BAC29PPS2179		.DECAL-LOAD LIMIT 40LB/ 18 KG	DX,DY	1
440	BAC29PPS2173		.DECAL-LATCH BIN CLOSED	CA,DG ,DH,D X-EA, ED	1
445	BAC29PP6430		.DECAL-LOAD LIMIT 35 LB/15 KG	CA,DG ,DH, ED	1

25-28-42

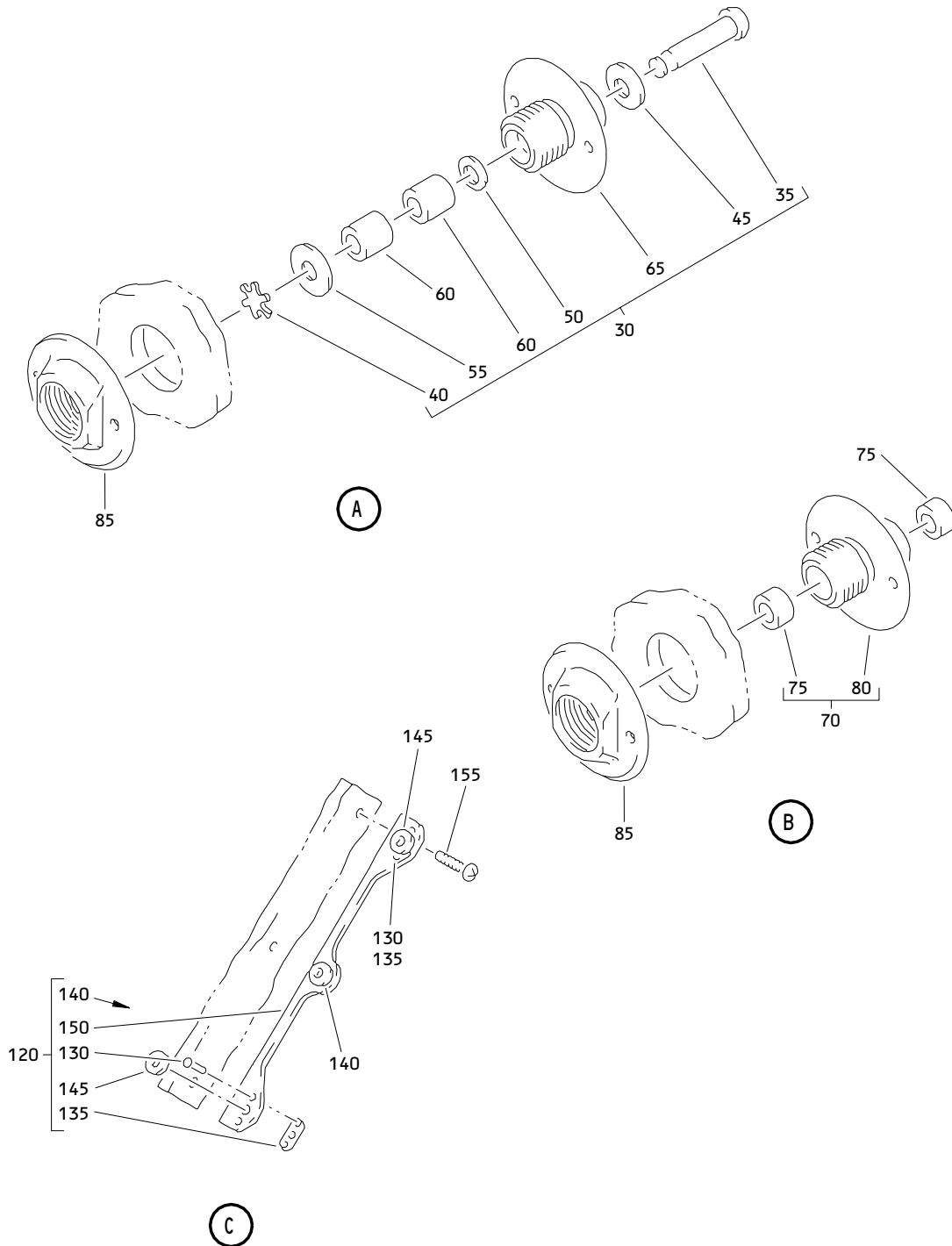
 ILLUSTRATED PARTS LIST
 01.1 Page 1094C
 Mar 01/98



Center Overhead Storage Bin Assembly
 Figure 9 (Sheet 1)

25-28-42

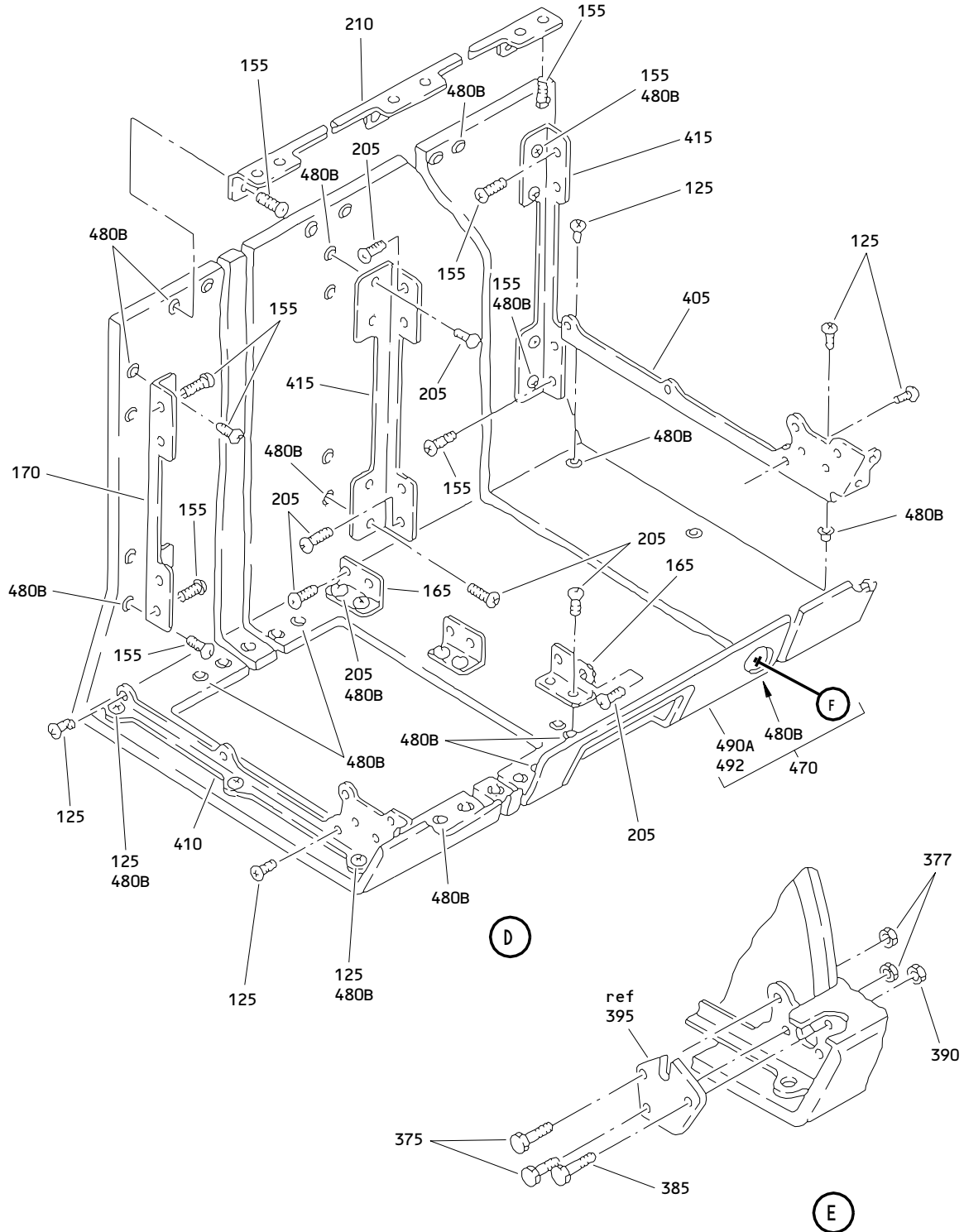
ILLUSTRATED PARTS LIST
 01.1 Page 1094D
 Mar 01/98



Center Overhead Stowage Bin Assembly
Figure 9 (Sheet 2)

25-28-42

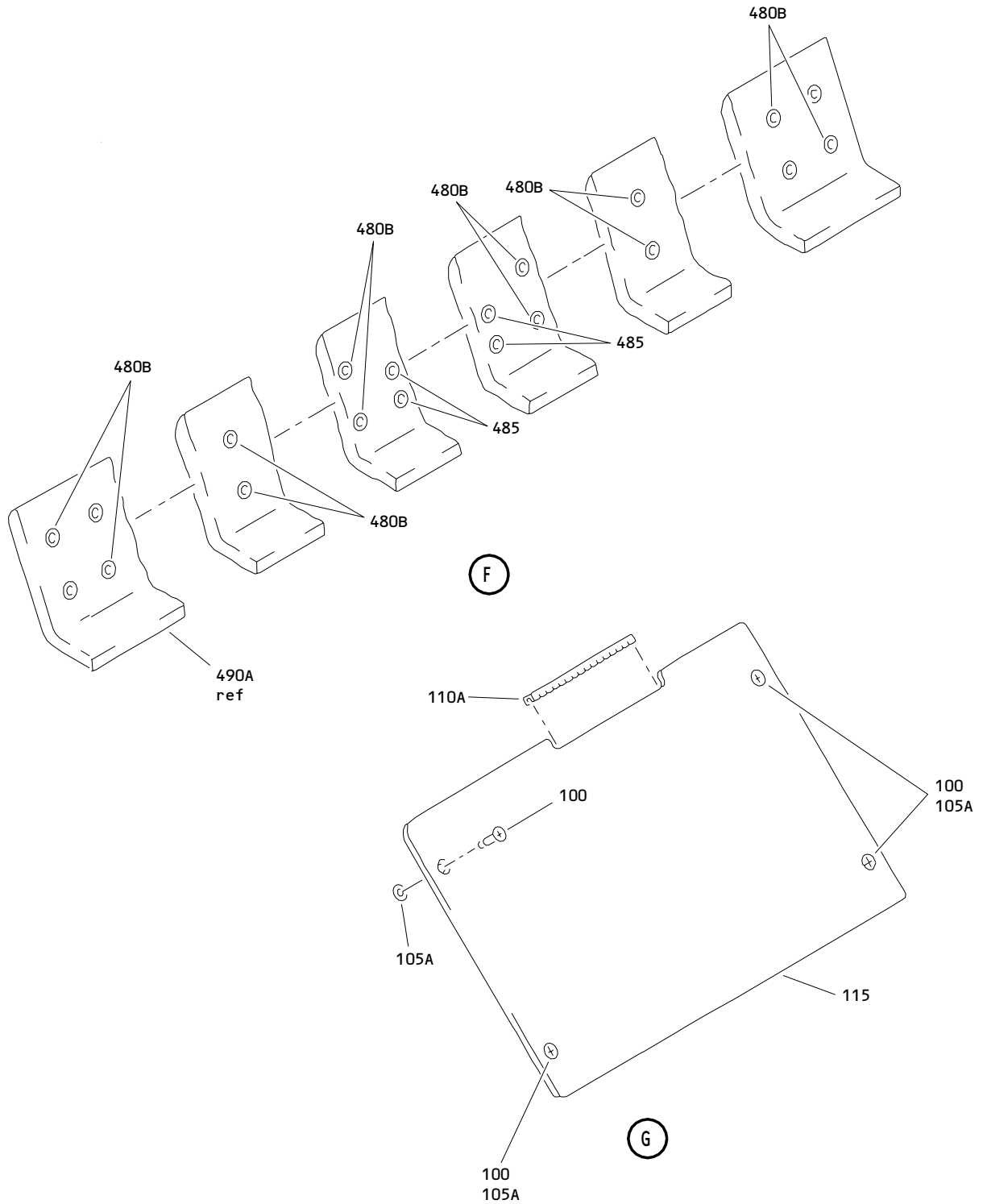
ILLUSTRATED PARTS LIST
01.1 Page 1094E
Mar 01/98



Center Overhead Stowage Bin Assembly
Figure 9 (Sheet 3)

25-28-42

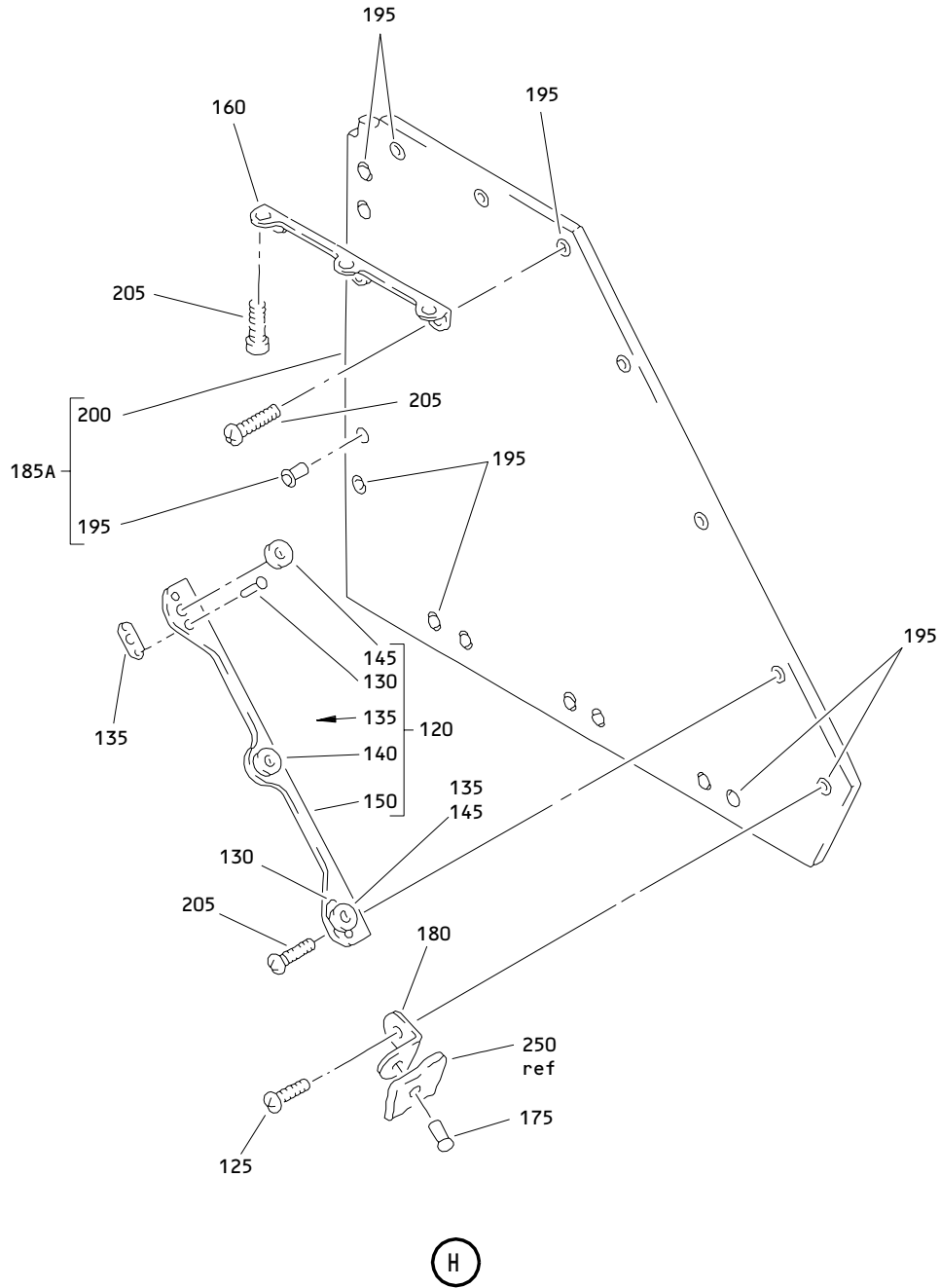
ILLUSTRATED PARTS LIST
01.1 Page 1094F
Mar 01/98



Center Overhead Stowage Bin Assembly
Figure 9 (Sheet 4)

25-28-42

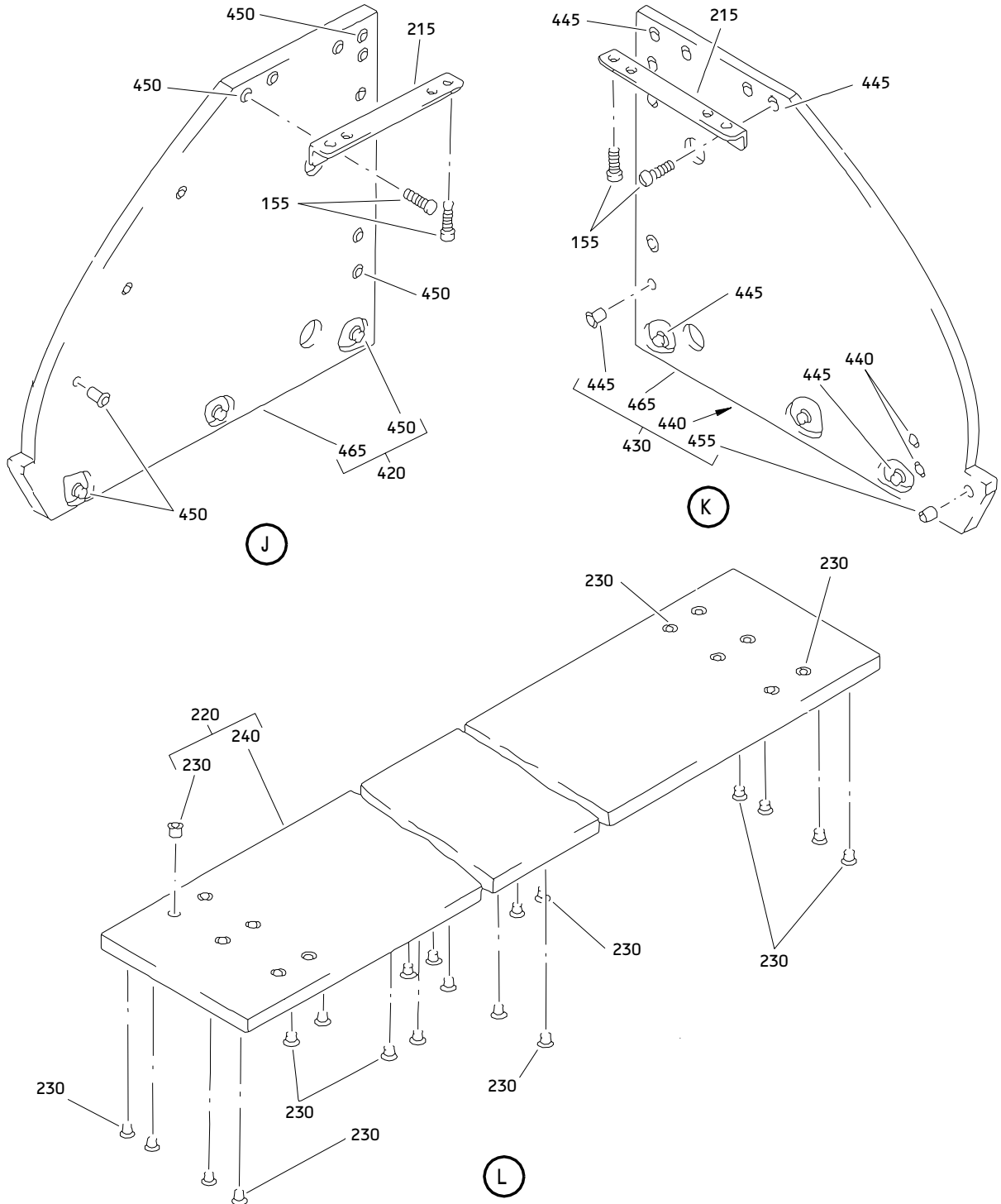
ILLUSTRATED PARTS LIST
01.1 Page 1094G
Mar 01/98



Center Overhead Stowage Bin Assembly
 Figure 9 (Sheet 5)

25-28-42

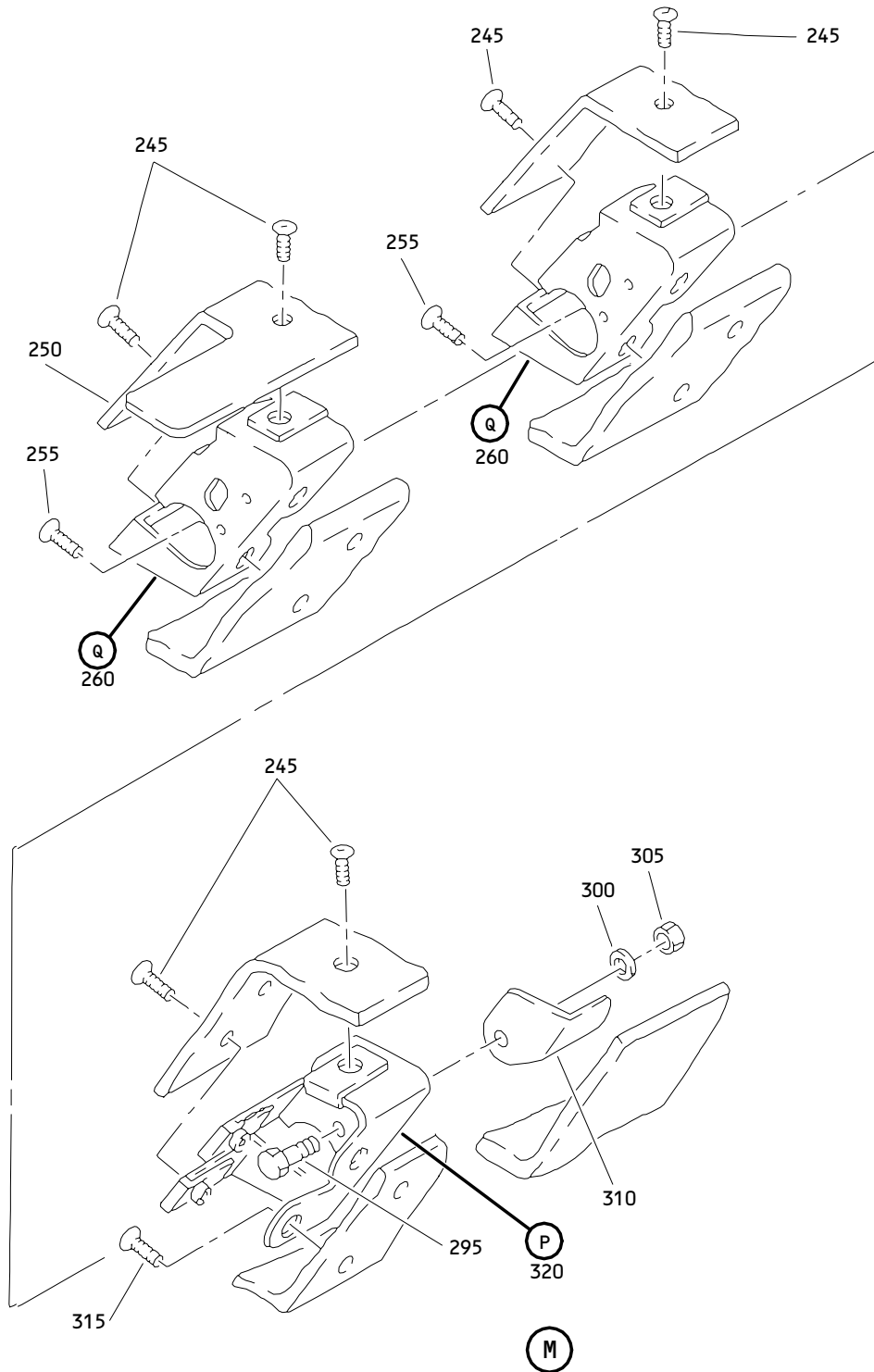
ILLUSTRATED PARTS LIST
 01.1 Page 1094H
 Mar 01/98



Center Overhead Storage Bin Assembly
Figure 9 (Sheet 6)

25-28-42

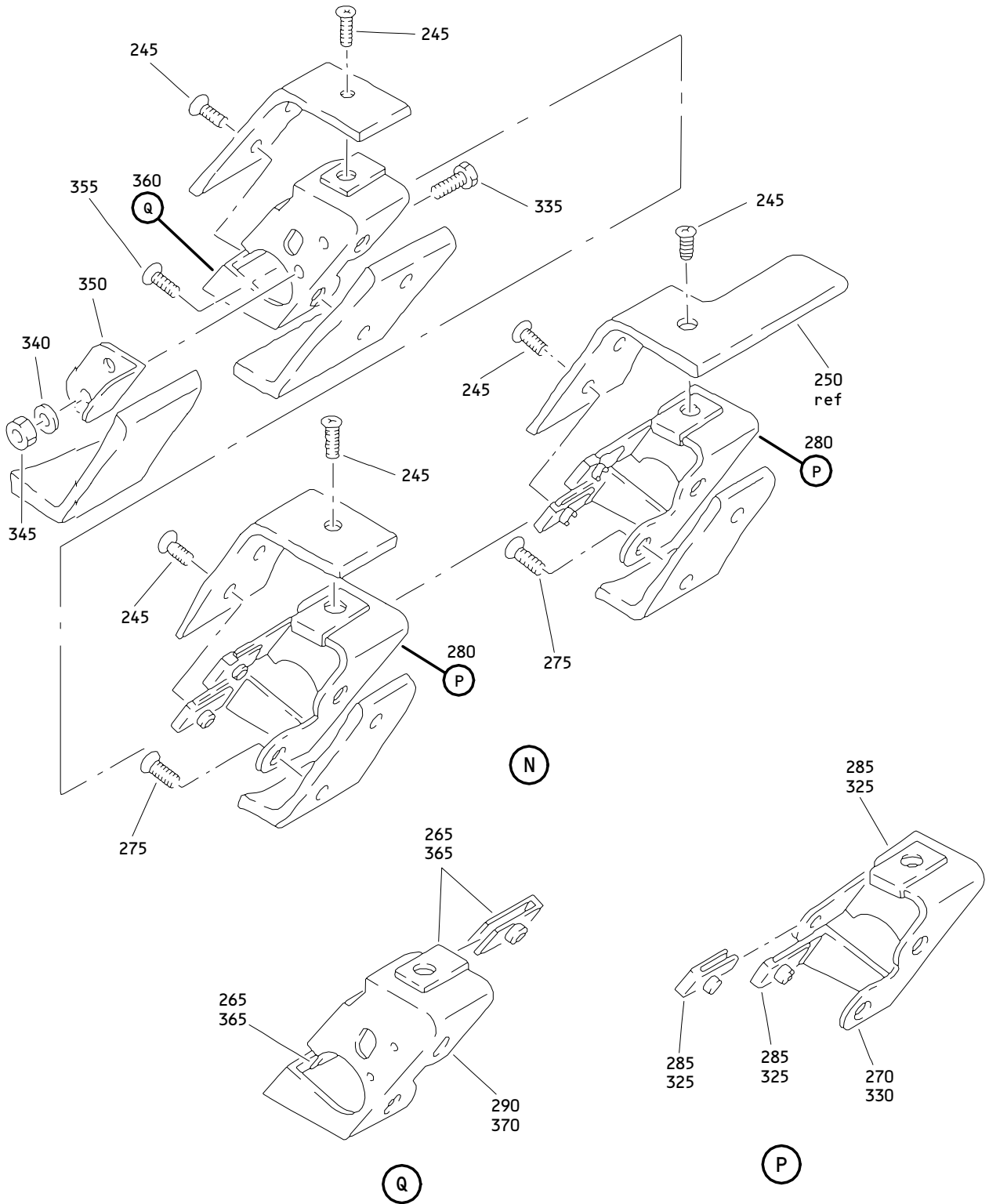
ILLUSTRATED PARTS LIST
01.1 Page 1094I
Mar 01/98



Center Overhead Stowage Bin Assembly
 Figure 9 (Sheet 7)

25-28-42

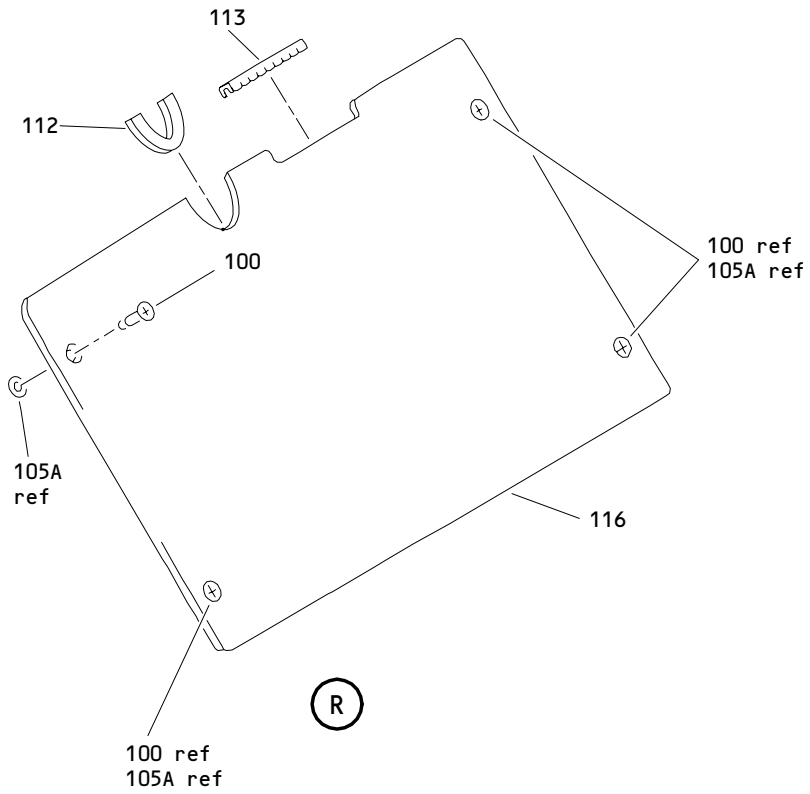
ILLUSTRATED PARTS LIST
 01.1 Page 1094J
 Mar 01/98



Center Overhead Stowage Bin Assembly
Figure 9 (Sheet 8)

25-28-42

ILLUSTRATED PARTS LIST
01.1 Page 1094K
Mar 01/98



Center Overhead Stowage Bin Assembly
Figure 9 (Sheet 9)

25-28-42

ILLUSTRATED PARTS LIST
01.1 Page 1094L
Mar 01/98


BOEING
 COMPONENT
 MAINTENANCE MANUAL

FIG. & ITEM	PART NO.	AIRLINE PART NUMBER	NOMENCLATURE 1234567	EFF CODE	QTY PER ASSY
09- -1	413T1047-157SP		BIN ASSY-CTR OVERHEAD STOWAGE	DM	RF
-1A	413T1047-161SP		BIN ASSY-CTR OVERHEAD STOWAGE	DQ	RF
-5	413T1047-158SP		BIN ASSY-CTR OVERHEAD STOWAGE	DN	RF
-5A	413T1047-162SP		BIN ASSY-CTR OVERHEAD STOWAGE	DR	RF
10	413T1042-24		.RESTRAINT ASSY	DM, DN , DQ, D R	2
15	BACS12FA3K3		ATTACHING PARTS .SCREW	DM, DN , DQ, D R	12
20	413T1042-41		-----*----- ..RUBBER	DM, DN , DQ, D R	1
25	413T1042-25		..TEE	DM, DN , DQ, D R	1
30	413T1036-41		.BOSS ASSY	DM, DN , DQ, D R	2
35	CA18271-9		..PIN- (V26390)	DM, DN , DQ, D R	1
40	CA1825		..WASHER-RETAINING (V26390)	DM, DN , DQ, D R	1
45	413T1060-6		..WASHER	DM, DN , DQ, D R	1
50	413T1060-7		..WASHER	DM, DN , DQ, D R	1
55	413T1060-5		..WASHER	DM, DN , DQ, D R	1
60	Y47		..BEARING-NEEDLE (V60380)	DM, DN , DQ, D R	2

25-28-42

 ILLUSTRATED PARTS LIST
 01.1 Page 1094M
 Mar 01/98

FIG. & ITEM	PART NO.	AIRLINE PART NUMBER	NOMENCLATURE 1234567	EFF CODE	QTY PER ASSY
09-65	413T1046-43		..BOSS-UPR PIVOT (MALE)	DM, DN , DQ, D R	1
70	413T1036-42		.BOSS ASSY	DM, DN , DQ, D R	2
75	501-0404-008		..BUSHING- (V77896)	DM, DN , DQ, D R	2
80	413T1036-44		..BOSS-LWR PIVOT (MALE)	DM, DN , DQ, D R	1
85	413T1036-12		.BOSS-PIVOT (FEMALE)	DM, DN , DQ, D R	4
90	413T1048-81SP		DELETED		
90A	413T1048-81		.COVER ASSY	DN	1
-90B	413T1048-82		.COVER ASSY	DM	1
92	413T1048-113		.COVER ASSY	DR	1
-95	413T1048-82SP		DELETED		
-97	413T1048-114		.COVER ASSY	DQ	1
100	82-99-341-26		..STUD- (V94222) (SPEC BACS21AP260RP)	DM, DN , DQ, D R	4
105	BACR121AG2C		DELETED		
105A	BACR12AG2C		..RING	DM, DN , DQ, D R	4
110	BACG20ZD1275		DELETED		
110A	BACG20ZC000780		..GROMMET	DM, DN	1

25-28-42

 ILLUSTRATED PARTS LIST
 01.1 Page 1094N
 Mar 01/98


BOEING
 COMPONENT
 MAINTENANCE MANUAL

FIG. & ITEM	PART NO.	AIRLINE PART NUMBER	NOMENCLATURE 1234567	EFF CODE	QTY PER ASSY
09-					
112	BACG20ZC000432		..GROMMET	DQ,DR	1
113	BACG20ZC000495		..GROMMET	DQ,DR	1
115	413T1048-83		..PANEL	DM,DN	1
-115A	413T1048-115		..PANEL ASSY	DR	1
-117	413T1048-116		..PANEL ASSY	DQ	1
120	413T1039-12		.ANGLE ASSY	DM,DN ,DQ,D R	2
			ATTACHING PARTS		
125	BACS12FA3K3		.SCREW	DM,DN ,DQ,D R	12
			-----*-----		
130	BACR15BA3AD		..RIVET- (SIZE DETERMINE ON INST)	DM,DN ,DQ,D R	4
135	82-99-342-15		..RECEPTACLE- (V94222) (SPEC BACR11AM2) (OPT 2-295 (V94222))	DM,DN ,DQ,D R	2
140	BACW10P79R40		..WASHER	DM,DN ,DQ,D R	1
145	BACW10P111R60		..WASHER	DM,DN ,DQ,D R	2
150	413T1039-15		..ANGLE	DM,DN ,DQ,D R	1
155	BACS12FA3K4		.SCREW	DM,DN ,DQ,D R	47

25-28-42

 ILLUSTRATED PARTS LIST
 01.1 Page 10940
 Mar 01/98

FIG. & ITEM	PART NO.	AIRLINE PART NUMBER	NOMENCLATURE 1234567	EFF CODE	QTY PER ASSY
09-160	413T1042-270		.ANGLE-ATTACH	DM,DN ,DQ,D R	1
165	413T1042-271		.ANGLE-ATTACH	DM,DN ,DQ,D R	3
170	413T2072-5		.BRACKET-END	DM,DN ,DQ,D R	1
175	NAS1398D4A2		.RIVET- (SIZE DETERMINE ON INST)	DM,DN ,DQ,D R	1
180	413T1039-26		.CLIP	DM,DN ,DQ,D R	1
185	413T1048-105SP		DELETED		
185A	413T1048-105		.PANEL ASSY-DIVIDER	DM,DQ	1
-185B	413T1048-106		.PANEL ASSY-DIVIDER	DN,DR	1
-190	413T1048-106SP		DELETED		
195	SL618-3A		..INSERT- (V97393)	DM,DN ,DQ,D R	17
200	413T1048-96		..PANEL ASSY	DM,DN ,DQ,D R	1
205	BACS12FA3K4		.SCREW	DM,DN ,DQ,D R	29
210	413T2072-4		.BRACKET-BACK	DM,DN ,DQ,D R	1
215	413T2072-6		.BRACKET-SIDE	DM,DN ,DQ,D R	2

25-28-42

 ILLUSTRATED PARTS LIST
 01.1 Page 1094P
 Mar 01/98


BOEING
 COMPONENT
 MAINTENANCE MANUAL

FIG. & ITEM	PART NO.	AIRLINE PART NUMBER	NOMENCLATURE 1234567	EFF CODE	QTY PER ASSY
09-					
217	BACG20ZG000700		. GROMMET	DM, DN	1
220	413T1048-73		. PANEL ASSY-TOP	DM, DQ	1
-225	413T1048-74		. PANEL ASSY-TOP	DN, DR	1
230	SL618-3A		.. INSERT- (V97393)	DM, DN , DQ, D R	31
-235	NAS1836A3-08		.. INSERT	DM, DN , DQ, D R	14
240	413T1048-80		.. PANEL	DM, DN , DQ, D R	1
245	NAS514P1032-6		. SCREW	DM, DN , DQ, D R	18
250	413T1042-269		. THRESHOLD	DM, DN , DQ, D R	1
255	BACS12FA3K4		. SCREW	DM, DN , DQ, D R	4
260	413T1128-25		. SUPPORT ASSY	DM, DN , DQ, D R	2
265	A4972-6-02		.. NUT- (V72962) (SPEC BACN10FX16) (OPT RM52LHA4972-6-02 (V72962)) (OPT 130069 (V60119)) (OPT A11330-6-3 (V72962))	DM, DN , DQ, D R	3
270	413T1128-23		.. SUPPORT	DM, DN , DQ, D R	1
275	BACS12FA3K4		. SCREW	DM, DN , DQ, D R	4

25-28-42

ILLUSTRATED PARTS LIST

01.1 Page 1094Q

Mar 01/98

FIG. & ITEM	PART NO.	AIRLINE PART NUMBER	NOMENCLATURE 1234567	EFF CODE	QTY PER ASSY
09-280	413T1128-26		. SUPPORT ASSY	DM, DN , DQ, D R	2
285	A4972-6-02		.. NUT- (V72962) (SPEC BACN10FX16) (OPT RM52LHA4972-6-02 (V72962)) (OPT 130069 (V60119)) (OPT A11330-6-3 (V72962))	DM, DN , DQ, D R	3
-290	413T1128-24		.. SUPPORT	DM, DN , DQ, D R	1
295	BACS12FA3K5		. SCREW	DM, DN , DQ, D R	2
300	AN960JD10L		. WASHER	DM, DN , DQ, D R	2
305	H10-3BAC		. NUT- (V15653) (SPEC BACN10JC3) (OPT NS202101-02 (V80539)) (OPT RMLH9075-3W (V72962)) (OPT T6S1032J (V71087)) (OPT VN303A02 (V92215)) (OPT 96-02 (V80539)) (OPT BRH10A3 (V52828))	DM, DN , DQ, D R	2

25-28-42

 ILLUSTRATED PARTS LIST
 01.1 Page 1094R
 Mar 01/98


BOEING
 COMPONENT
 MAINTENANCE MANUAL

FIG. & ITEM	PART NO.	AIRLINE PART NUMBER	NOMENCLATURE 1234567	EFF CODE	QTY PER ASSY
09-310	413T1042-771		. ANGLE-ATTACH	DM, DN , DQ, D R	1
315	BACS12FA3K6		. SCREW	DM, DN , DQ, D R	2
320	413T1128-26		. SUPPORT ASSY	DM, DN , DQ, D R	1
325	A4972-6-02		. . NUT- (V72962) (SPEC BACN10FX16) (OPT RM52LHA4972-6-02 (V72962)) (OPT 130069 (V60119)) (OPT A11330-6-3 (V72962))	DM, DN , DQ, D R	3
330	413T1128-24		. . SUPPORT	DM, DN , DQ, D R	1
335	BACS12FA3K5		. SCREW	DM, DN , DQ, D R	2
340	AN960JD10L		. WASHER	DM, DN , DQ, D R	2
345	H10-3BAC		. NUT- (V15653) (SPEC BACN10JC3) (OPT NS202101-02 (V80539)) (OPT RMLH9075-3W (V72962)) (OPT T6S1032J (V71087)) (OPT VN303A02 (V92215)) (OPT 96-02 (V80539)) (OPT BRH10A3 (V52828))	DM, DN , DQ, D R	2

25-28-42

 ILLUSTRATED PARTS LIST
 01.1 Page 1094S
 Mar 01/98

FIG. & ITEM	PART NO.	AIRLINE PART NUMBER	NOMENCLATURE 1234567	EFF CODE	QTY PER ASSY
09-350	413T1042-772		. ANGLE-ATTACH	DM, DN , DQ, D R	1
355	BACS12FA3K6		. SCREW	DM, DN , DQ, D R	2
360	413T1128-25		. SUPPORT ASSY	DM, DN , DQ, D R	1
365	A4972-6-02		. . NUT- (V72962) (SPEC BACN10FX16) (OPT RM52LHA4972-6-02 (V72962)) (OPT 130069 (V60119)) (OPT A11330-6-3 (V72962))	DM, DN , DQ, D R	3
370	413T1128-24		. . SUPPORT	DM, DN , DQ, D R	1
375	BACB30NN3K15		. BOLT	DM, DN , DQ, D R	4
376	BACW10UC102P		. BOLT	DM, DN , DQ, D R	4
377	H10-3BAC		. NUT- (V15653) (SPEC BACN10JC3) (OPT NS202101-02 (V80539)) (OPT RMLH9075-3W (V72962)) (OPT T6S1032J (V71087)) (OPT VN303A02 (V92215)) (OPT 96-02 (V80539)) (OPT BRH10A3 (V52828))	DM, DN , DQ, D R	4

25-28-42

 ILLUSTRATED PARTS LIST
 01.1 Page 1094T
 Mar 01/98


BOEING
 COMPONENT
 MAINTENANCE MANUAL

FIG. & ITEM	PART NO.	AIRLINE PART NUMBER	NOMENCLATURE 1234567	EFF CODE	QTY PER ASSY
09-385	BACB30NN3K18		.BOLT	DM, DN ,DQ, D R	2
390	A4972-6-02		.NUT- (V72962) (SPEC BACN10FX16) (OPT RM52LHA4972-6-02 (V72962)) (OPT 130069 (V60119)) (OPT A11330-6-3 (V72962))	DM, DN ,DQ, D R	2
395	501230-19		.LATCH ASSY- (V27045) (SPEC S413T103-19) (OPT ITEM 395A)	DM, DN ,DQ, D R	1
-395A	501230-6		.LATCH ASSY- (V27045) (SPEC S413T103-6) (OPT ITEM 395)	DM, DN ,DQ, D R	1
400	BACS12FA3K3		.SCREW	DM, DN ,DQ, D R	16
405	413T1039-28		.ANGLE-ATTACH	DM, DN ,DQ, D R	1
410	413T1039-27		.ANGLE-ATTACH	DM, DN ,DQ, D R	1
415	413T2072-5		.BRACKET-END	DM, DN ,DQ, D R	2

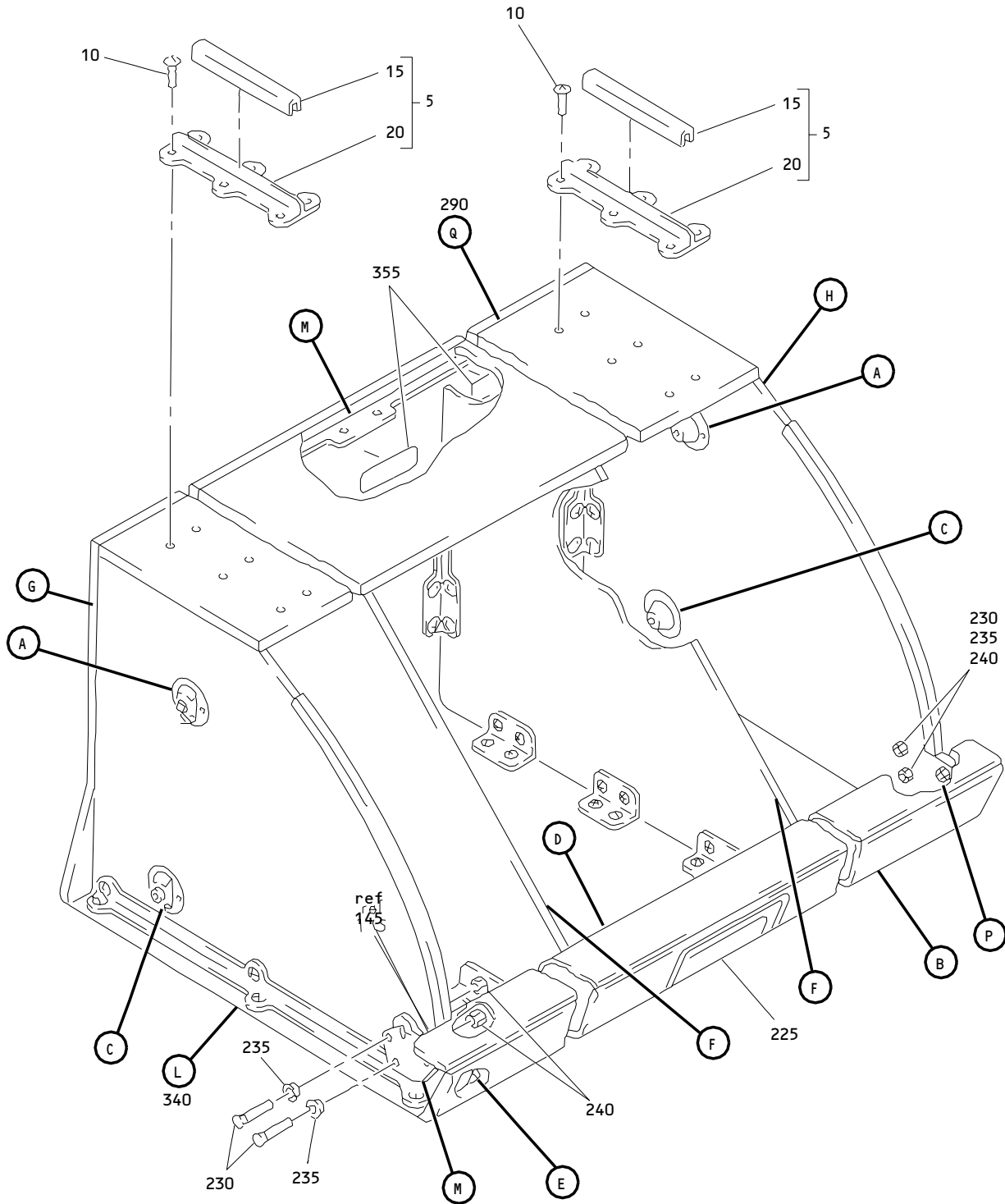
25-28-42

 ILLUSTRATED PARTS LIST
 01.1 Page 1094U
 Mar 01/98

FIG. & ITEM	PART NO.	AIRLINE PART NUMBER	NOMENCLATURE 1234567	EFF CODE	QTY PER ASSY
09-					
420	413T1048-57		.PANEL ASSY-END	DM,DQ	1
-425	413T1048-58		.PANEL ASSY-END	DN,DR	1
430	413T1048-108		.PANEL ASSY-END	DM,DQ	1
-435	413T1048-107		.PANEL ASSY-END	DN,DR	1
440	SL604-3-290ASP4		..INSERT- (V97393) (ITEM 440A OPTIONAL TO ITEM 440 ONLY WHEN ITEM 440 IS NOT AVAILABLE)	DM,DN ,DQ,D R	2
-440A	413T1042-275		..INSERT- (ITEM 440A OPTIONAL TO ITEM 440 ONLY WHEN ITEM 440 IS NOT AVAILABLE)	DM,DN ,DQ,D R	2
445	SL618-3A		..INSERT- (V97393)	DM,DN ,DQ,D R	11
450	SL618-3A		..INSERT- (V97393) (USED ON ITEMS 420, 425)	DM,DN ,DQ,D R	14
455	NAS1834A3-290		..INSERT	DM,DN ,DQ,D R	1
-460	NAS1836A3-08		..INSERT	DM,DN ,DQ,D R	8
465	413T1048-75		..PANEL ASSY	DM,DN ,DQ,D R	1
470	413T1049-157SP		.BIN ASSY-LWR	DM,DQ	1
-475	413T1049-158SP		.BIN ASSY-LWR	DN,DR	1
480	SL2334-3A		DELETED		
480A	SL2334-3A2		DELETED		
480B	SL6224-3A		..INSERT- (V97393)	DM,DN ,DQ,D R	56
485	NAS1836-3-07		..INSERT	DM,DN ,DQ,D R	4
490	413T1049-105		DELETED		
490A	413T1049-159		..LAMINATE ASSY	DM,DQ	1
492	413T1049-160		..LAMINATE ASSY	DN,DR	1
495	BAC27TPPS0252		.DECAL	DM,DN ,DQ,D R	1

25-28-42

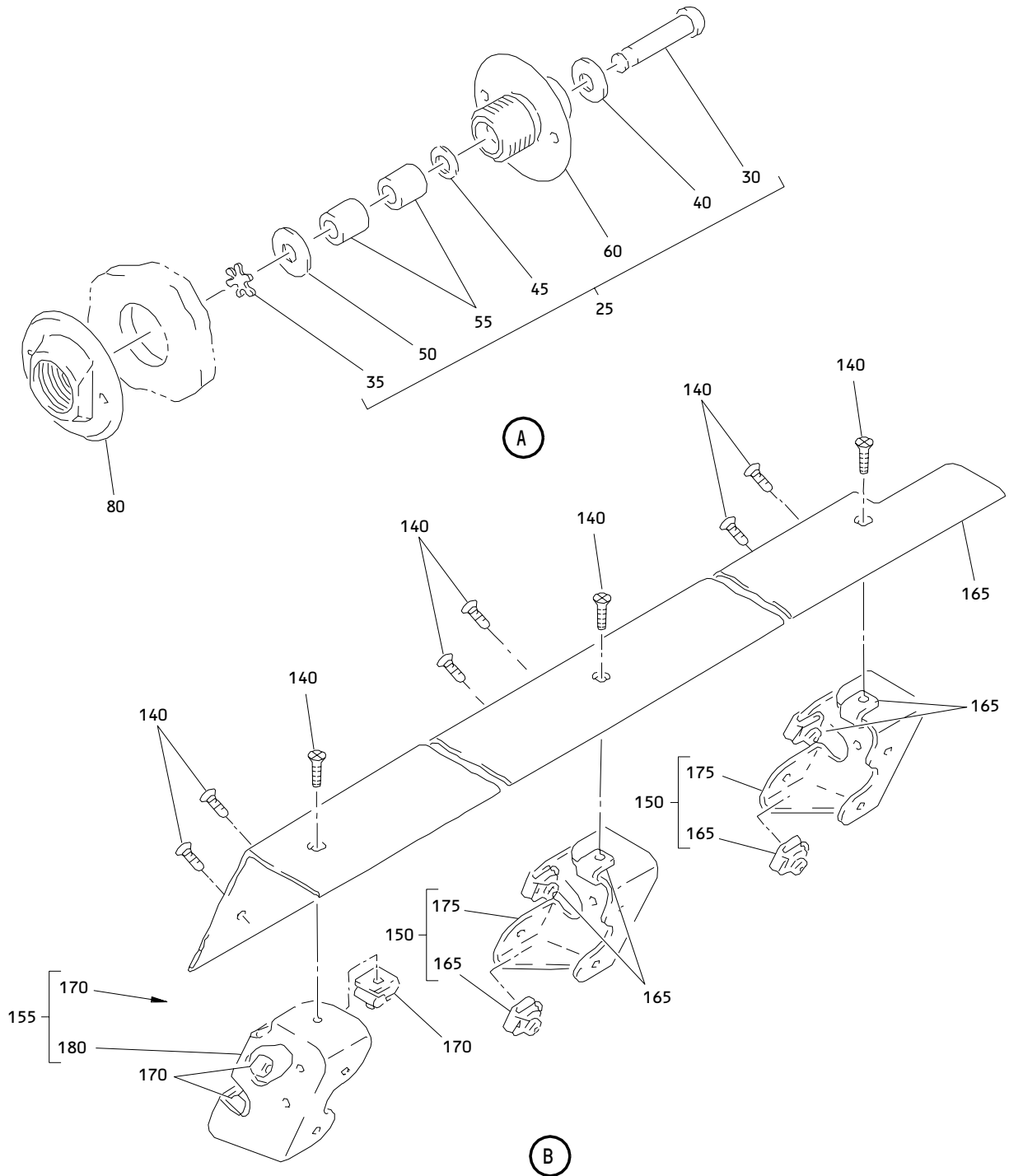
 ILLUSTRATED PARTS LIST
 01.1 Page 1094V
 Mar 01/98



Center Overhead Stowage Bin Assembly
 Figure 10 (Sheet 1)

25-28-42

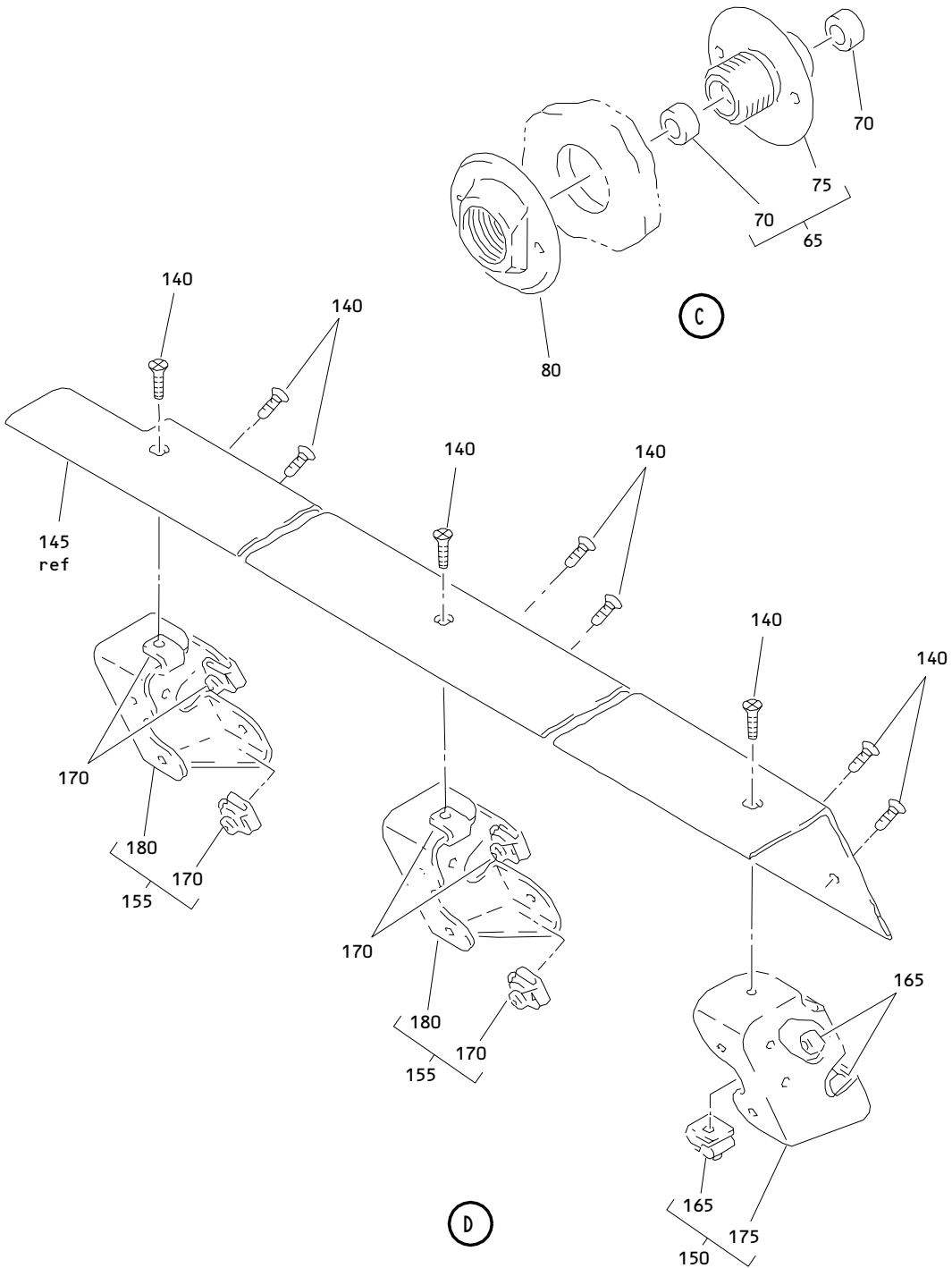
ILLUSTRATED PARTS LIST
 01.1 Page 1094X
 Mar 01/98



Center Overhead Stowage Bin Assembly
Figure 10 (Sheet 2)

25-28-42

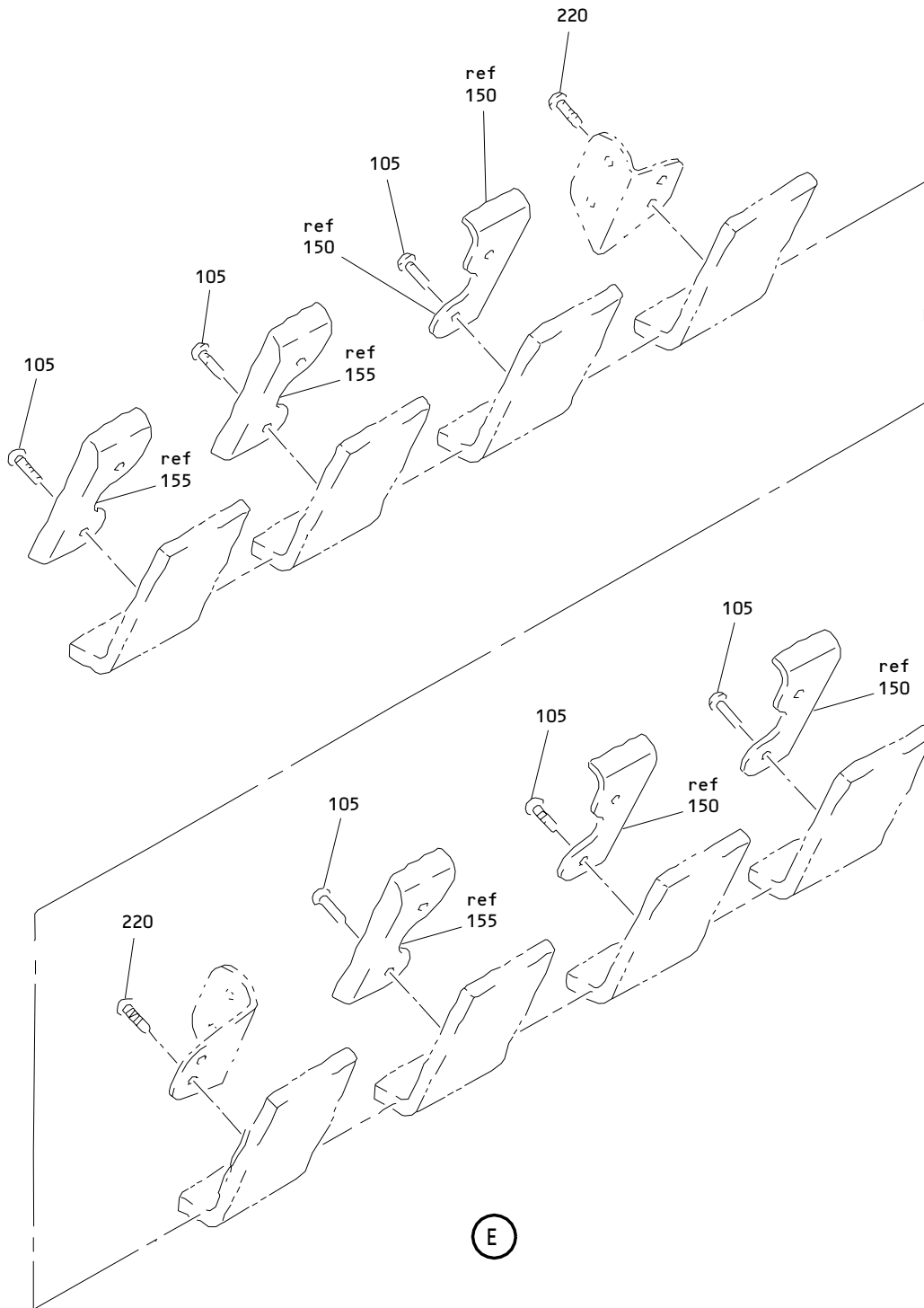
ILLUSTRATED PARTS LIST
01.1 Page 1094Y
Mar 01/98



Center Overhead Storage Bin Assembly
 Figure 10 (Sheet 3)

25-28-42

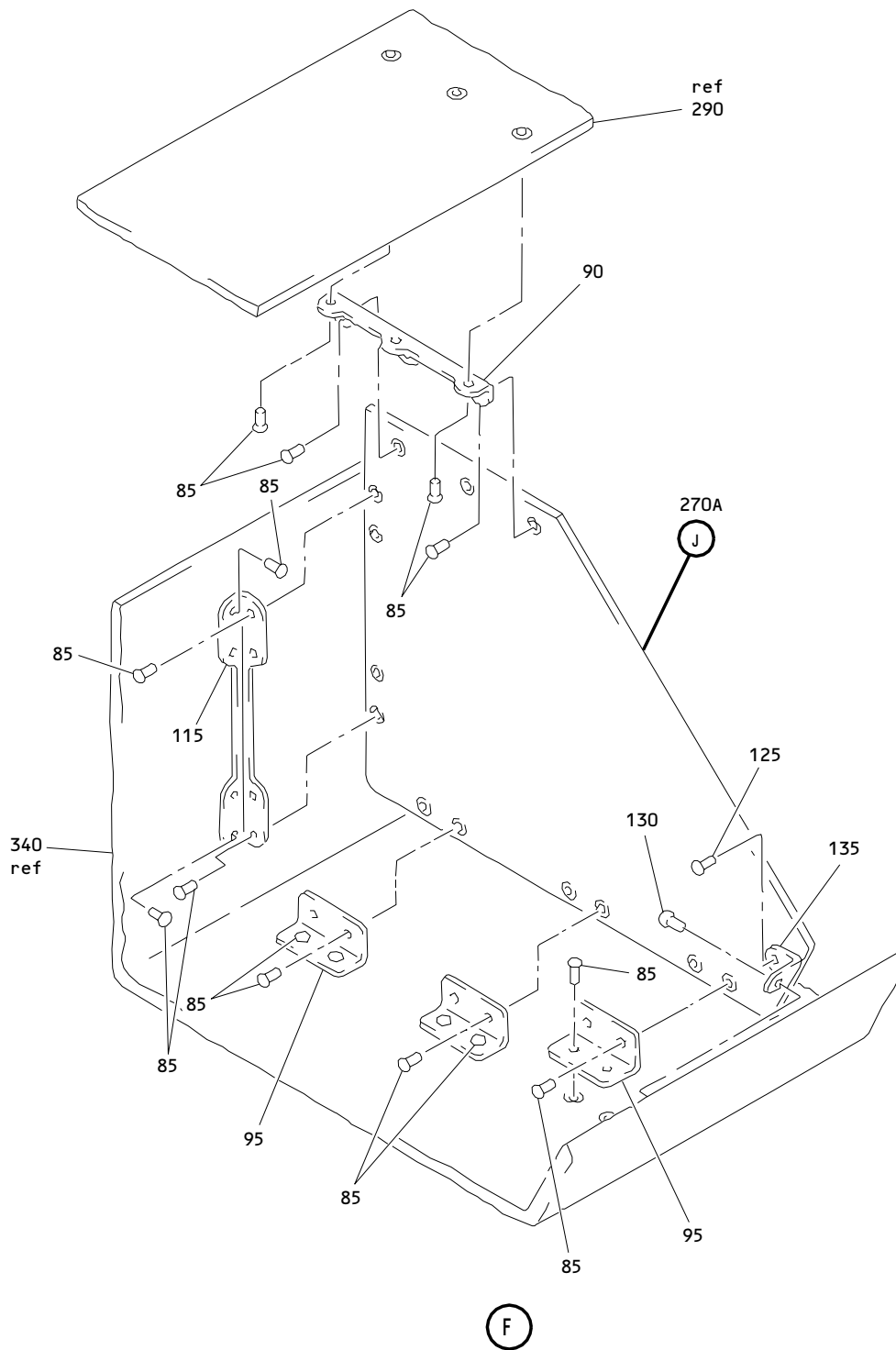
ILLUSTRATED PARTS LIST
 01.1 Page 1094Z
 Mar 01/98



Center Overhead Stowage Bin Assembly
Figure 10 (Sheet 4)

25-28-42

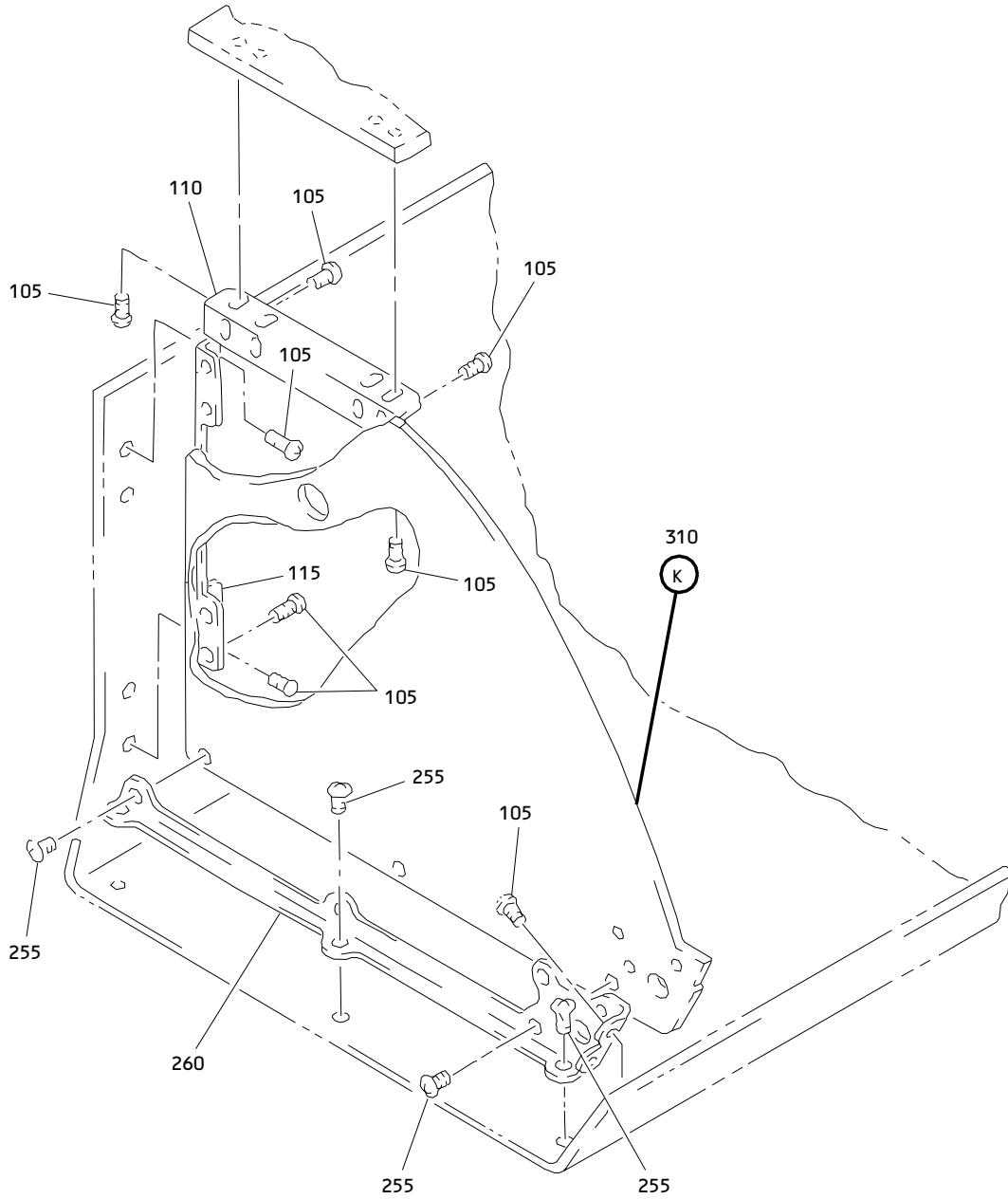
ILLUSTRATED PARTS LIST
01.1 Page 1095
Mar 01/98



Center Overhead Stowage Bin Assembly
Figure 10 (Sheet 5)

25-28-42

ILLUSTRATED PARTS LIST
01.1 Page 1096
Mar 01/98

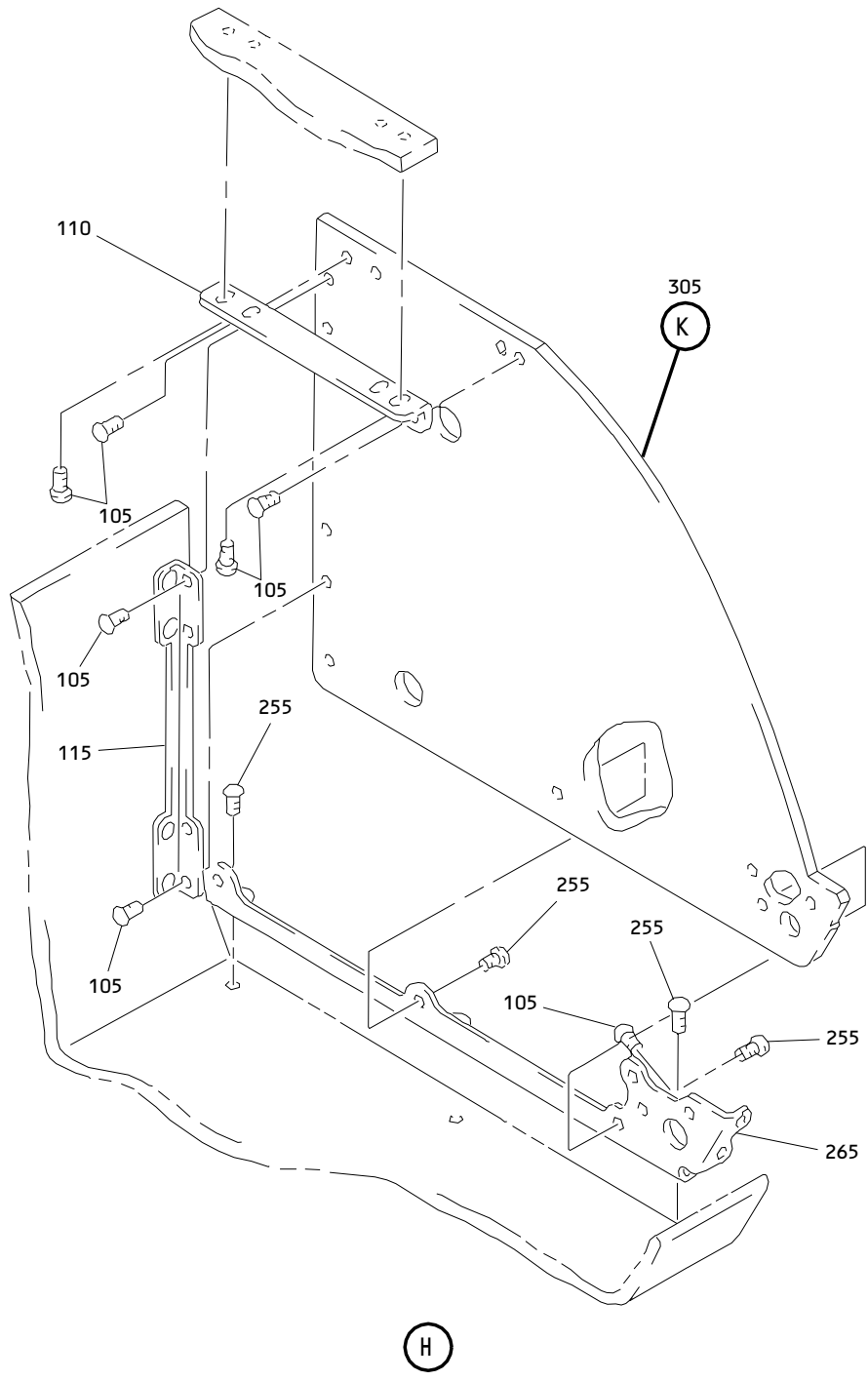


G

Center Overhead Stowage Bin Assembly
Figure 10 (Sheet 6)

25-28-42

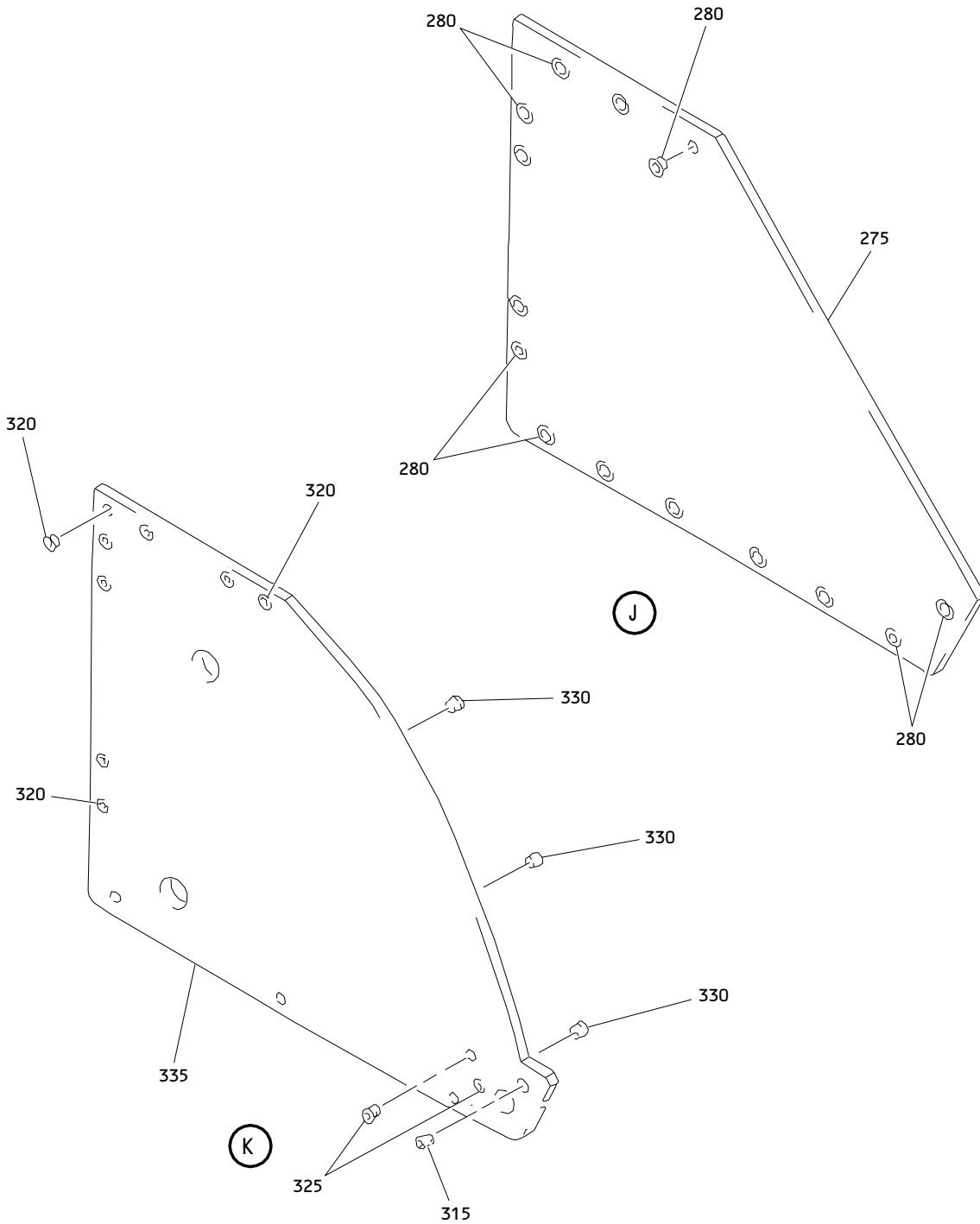
ILLUSTRATED PARTS LIST
01.1 Page 1096A
Mar 01/98



Center Overhead Stowage Bin Assembly
Figure 10 (Sheet 7)

25-28-42

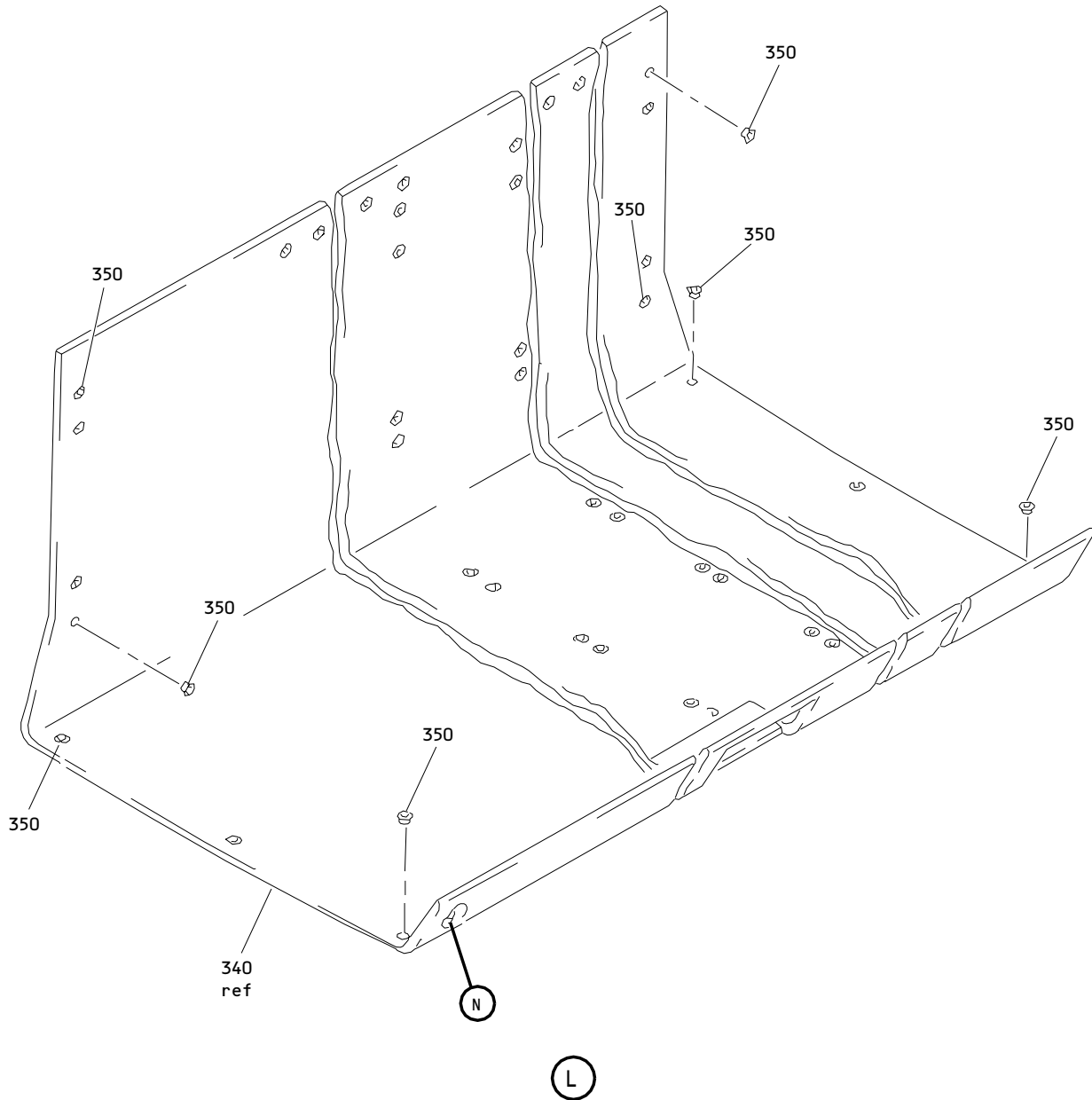
ILLUSTRATED PARTS LIST
01.1 Page 1096B
Mar 01/98



Center Overhead Stowage Bin Assembly
Figure 10 (Sheet 8)

25-28-42

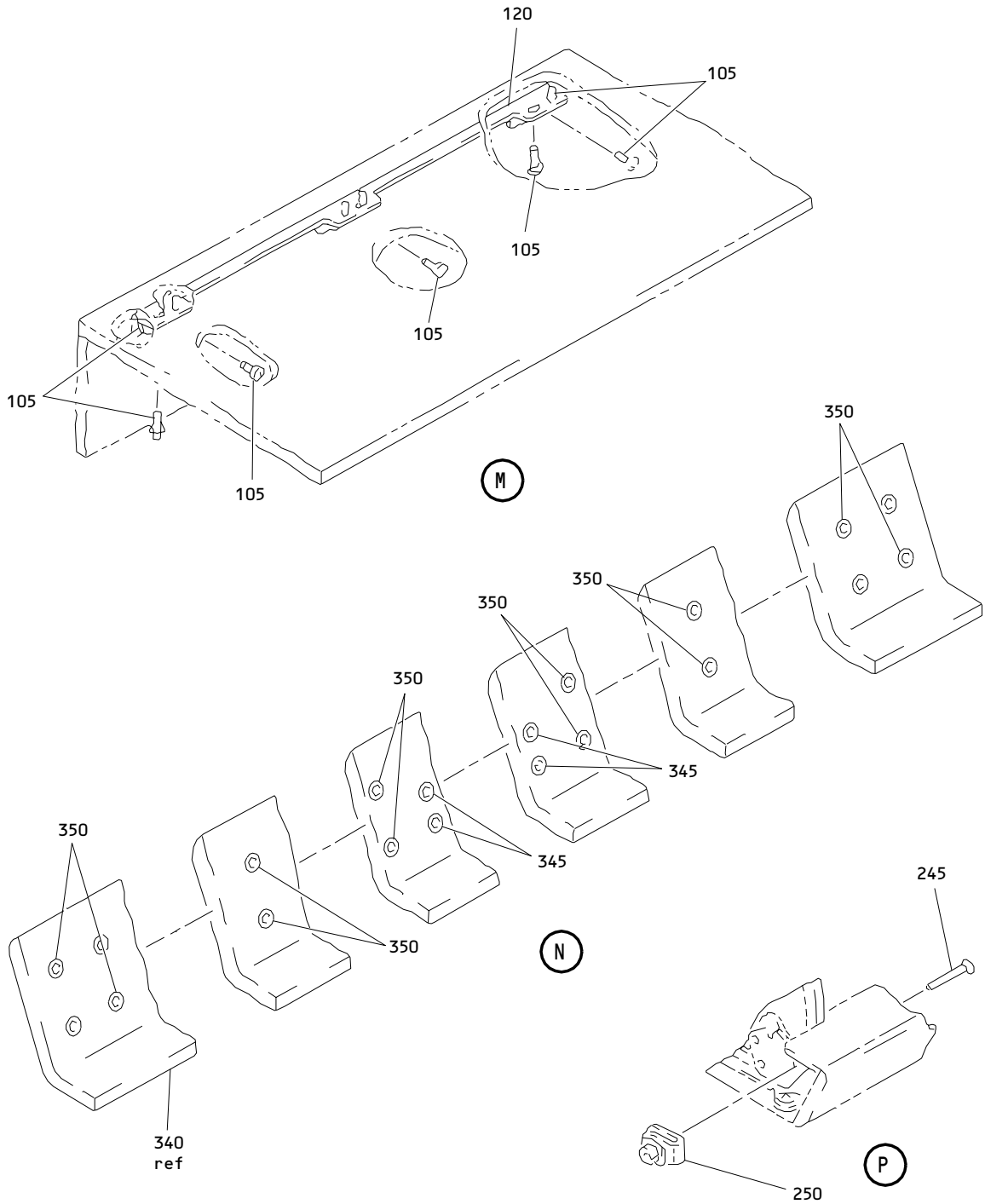
ILLUSTRATED PARTS LIST
01.1 Page 1096C
Mar 01/98



Center Overhead Stowage Bin Assembly
Figure 10 (Sheet 9)

25-28-42

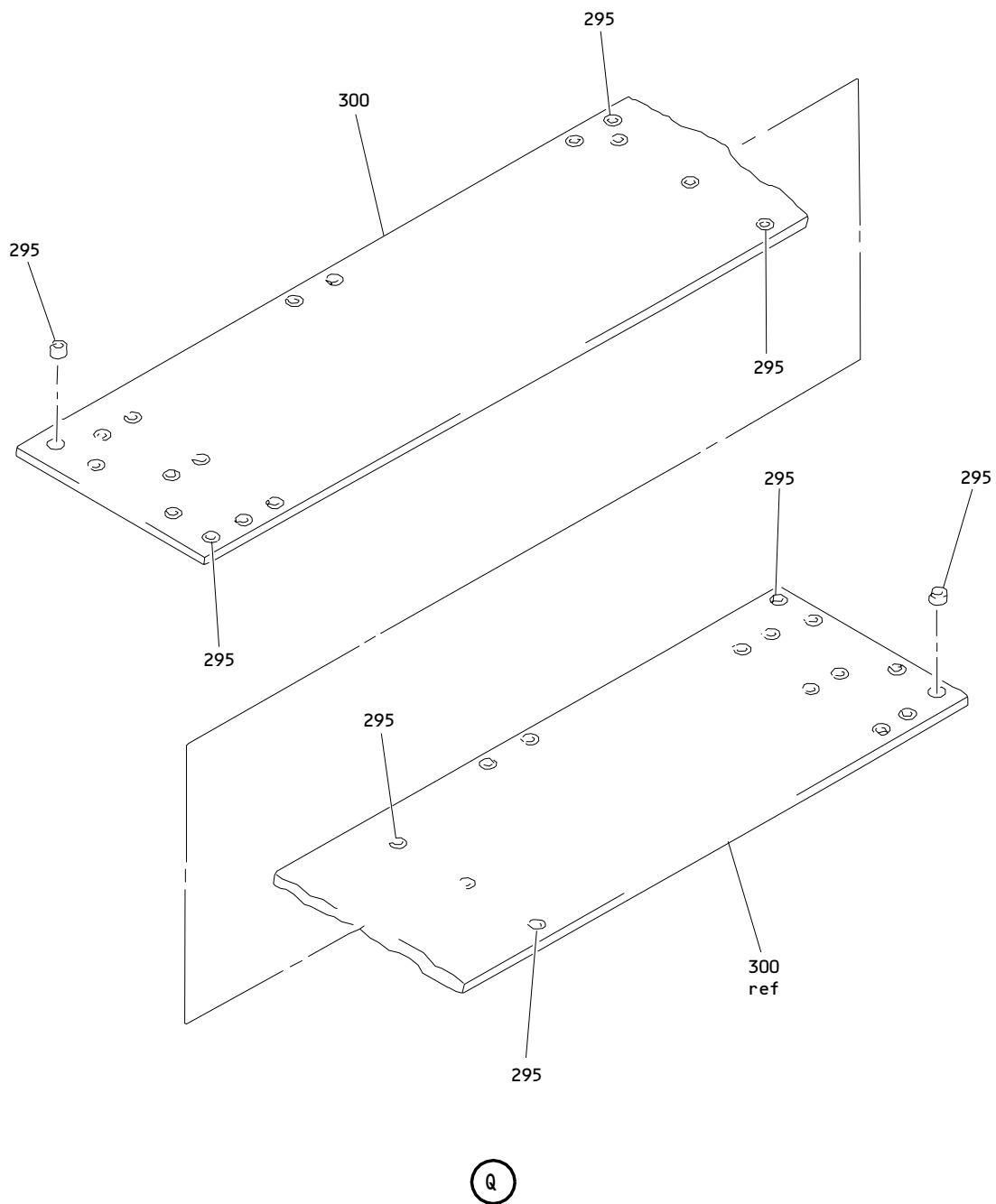
ILLUSTRATED PARTS LIST
01.1 Page 1096D
Mar 01/98



Center Overhead Storage Bin Assembly
Figure 10 (Sheet 10)

25-28-42

ILLUSTRATED PARTS LIST
01.1 Page 1096E
Mar 01/98



Center Overhead Stowage Bin Assembly
 Figure 10 (Sheet 11)

25-28-42

ILLUSTRATED PARTS LIST
 01.1 Page 1096F
 Mar 01/98


BOEING
 COMPONENT
 MAINTENANCE MANUAL

FIG. & ITEM	PART NO.	AIRLINE PART NUMBER	NOMENCLATURE 1234567	EFF CODE	QTY PER ASSY
10- -1A	413T1047-172SP		BIN ASSY-CTR OVERHEAD STOWAGE	EB	RF
5	413T1042-24		.RESTRAINT ASSY ATTACHING PARTS	EB	2
10	BACS12FA3K3		.SCREW -----*	EB	12
15	413T1042-41		..RUBBER	EB	2
20	413T1042-25		..TEE	EB	2
25	413T1036-41		.BOSS ASSY	EB	2
30	CA18271-9		..PIN- (V26390)	EB	1
35	CA1825		..WASHER-RETAINING (V26390)	EB	1
40	413T1060-6		..WASHER	EB	1
45	413T1060-7		..WASHER	EB	1
50	413T1060-5		..WASHER	EB	1
55	Y47		..BEARING-NEEDLE (V60380) (OPT ITEM 55A)	EB	2
-55A	B47		..BEARING-NEEDLE (V60380) (OPT ITEM 55)	EB	2
60	413T1036-43		..BOSS-UPR PIVOT (MALE)	EB	1
65	413T1036-42		.BOSS ASSY	EB	2
70	501-0404-008		..BUSHING- (V77896)	EB	2
75	413T1036-44		..BOSS-LWR PIVOT (MALE)	EB	1
80	413T1036-12		.BOSS-PIVOT (FEMALE)	EB	4
85	BACS12FA3K3		.SCREW	EB	52
90	413T1042-270		.ANGLE	EB	2
95	413T1042-271		.ANGLE	EB	6
100	413T2072-5		.BRACKET-END	EB	2

25-28-42

 ILLUSTRATED PARTS LIST
 01.1 Page 1096G
 Mar 01/98

FIG. & ITEM	PART NO.	AIRLINE PART NUMBER	NOMENCLATURE 1234567	EFF CODE	QTY PER ASSY
10-					
105	BACS12FA3K4		.SCREW	EB	44
110	413T2072-6		.BRACKET-SIDE	EB	2
115	413T2072-5		.BRACKET-END	EB	2
120	413T2072-4		.BRACKET	EB	1
125	BACS12FA3K4		.SCREW	EB	1
130	NAS1399D4		.RIVET- (SIZE DETERMINE ON INST)	EB	1
135	413T1039-26		.CLIP	EB	2
140	NAS514P1032-6		.SCREW	EB	18
145	413T1042-269		.THRESHOLD	EB	1
150	413T1128-26		.SUPPORT ASSY	EB	3
155	413T1128-25		.SUPPORT ASSY ATTACHING PARTS	EB	3
160	BACS12FA3K4		.SCREW -----*-----	EB	12
165	A4972-6-02		..NUT- (V72962) (SPEC BACN10FX16) (OPT RM52LHA4972-6-02 (V72962)) (OPT 130069 (V60119)) (OPT A11330-6-3 (V72962)) (USED ON ITEM 150)	EB	3
170	A4972-6-02		..NUT- (V72962) (SPEC BACN10FX16) (OPT RM52LHA4972-6-02 (V72962)) (OPT 130069 (V60119)) (OPT A11330-6-3 (V72962)) (USED ON ITEM 155)	EB	3

25-28-42

 ILLUSTRATED PARTS LIST
 01.1 Page 1096H
 Mar 01/98


BOEING
 COMPONENT
 MAINTENANCE MANUAL

FIG. & ITEM	PART NO.	AIRLINE PART NUMBER	NOMENCLATURE 1234567	EFF CODE	QTY PER ASSY
10-175	413T1128-24		..SUPPORT- (USED ON ITEM 150)	EB	1
180	413T1128-23		..SUPPORT- (USED ON ITEM 155)	EB	1
185	413T1128-25		DELETED		
190	413T1128-26		DELETED		
			ATTACHING PARTS		
195	BACS12FA3K4		DELETED		
200	A4972-6-02		DELETED		
205	A4972-6-02		DELETED		
210	413T1128-23		DELETED		
215	413T1128-24		DELETED		
220	BACS12FA3K5		.SCREW	EB	4
225	501230-19		.LATCH ASSY- (V27045) (SPEC S413T103-19) (OPT ITEM 225A)	EB	1
-225A	501230-6		.LATCH ASSY- (V27045) (SPEC S413T103-6) (OPT ITEM 225)	EB	1
230	BACB30NN3K15		.BOLT	EB	4
235	BACW10UC102P		.WASHER	EB	4
240	H10-3BAC		.NUT- (V15653) (SPEC BACN10JC3) (OPT NS202101-02 (V80539)) (OPT RMLH9075-3W (V72962)) (OPT T6S1032J (V71087)) (OPT VN303A02 (V92215)) (OPT 96-02 (V80539)) (OPT BRH10A3 (V52828))	EB	4

25-28-42

 ILLUSTRATED PARTS LIST
 01.1 Page 1096I
 Mar 01/98

FIG. & ITEM	PART NO.	AIRLINE PART NUMBER	NOMENCLATURE 1234567	EFF CODE	QTY PER ASSY
10-					
245	BACB30NN3K18		.BOLT	EB	2
250	A4972-6-02		.NUT- (V72962) (SPEC BACN10FX16) (OPT RM52LHA4972-6-02 (V72962)) (OPT 130069 (V60119)) (OPT A11330-6-3 (V72962)) -----*	EB	2
255	BACS12FA3K3		.SCREW	EB	16
260	413T1039-27		.ANGLE-ATTACH	EB	1
265	413T1039-28		.ANGLE-ATTACH	EB	1
270	413T1048-109		DELETED		
270A	413T1048-120		.PANEL ASSY-DIVIDER	EB	2
275	413T1048-111		..PANEL ASSY	EB	1
280	SL618-3A		..INSERT- (V97393)	EB	14
285	SL6224-3A		DELETED		
290	413T1048-122		.PANEL ASSY-TOP	EB	1
295	SL618-3A		..INSERT- (V97393)	EB	32
300	413T1048-80		..PANEL	EB	1
305	413T1048-57		.PANEL ASSY-END	EB	1
310	413T1048-58		.PANEL ASSY-END	EB	1
315	NAS1834A3-290		..INSERT	EB	1
320	SL618-3A		..INSERT- (V97393)	EB	8
325	SL604-3-290ASP4		..INSERT- (V97393)	EB	2
330	SL618-3A		..INSERT- (V97393)	EB	3
335	413T1048-75		..PANEL ASSY	EB	1
340	413T1049-166SP		.BIN ASSY-LWR	EB	1
345	NAS1836-3-07		..INSERT	EB	4
350	SL6224-3A		..INSERT	EB	56
355	BAC29PPS2173		.DECAL-LATCH BIN CLOSED	EB	2

25-28-42